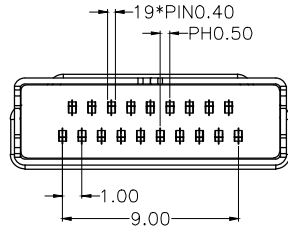
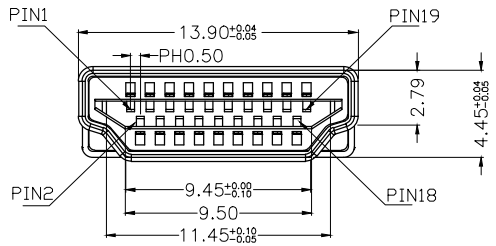
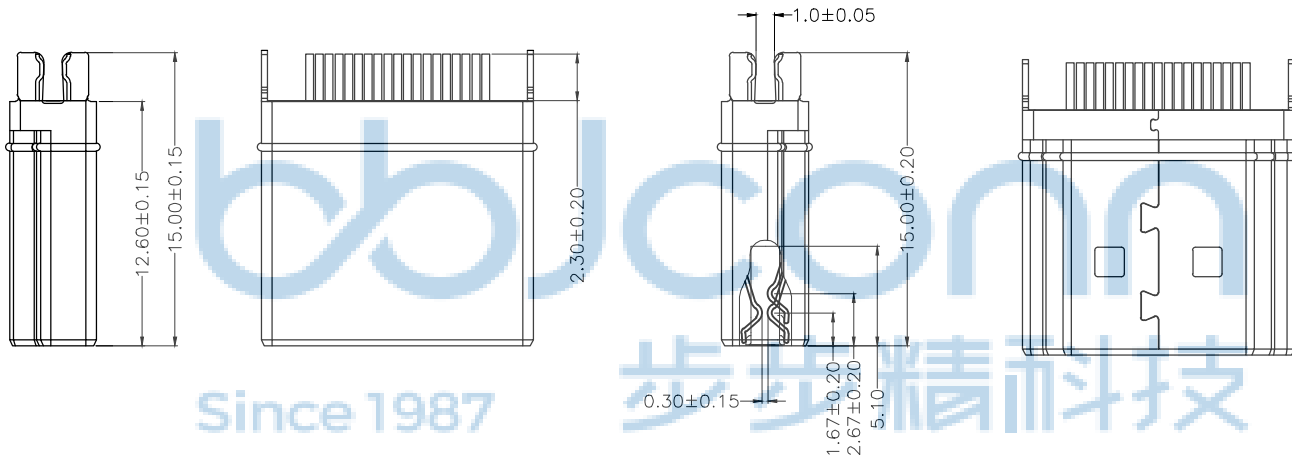


REV.	ECN NO	CONTENT	DATE	ENGINEER
A0				



NOTE :

1. SPECIFICATION:
  - 1.1. CURRENT RATING: 0.5 Amp Max.
  - 1.2. VOLTAGE RATING: 40 V ac(r.m.s) Max.
  - 1.3. CONTACT RESISTANCE: 10m ohms Max.mated
  - 1.4. INSULATION RESISTANCE:100M ohms Min.
  - 1.5. DIELECTRIC WITHSTANDING VOLTAGE: AC 500V Min. (for 1 minute)
  - 1.6. OPERATION TEMPERATURE RANGE:-25°C~85°C
2. MECHANICAL
  - 2.1 INSERTION FORCE:4.5KGF MAXMUM
  - 2.1 WITHDRAWAL FORCE:1.0KGF MINIMUM;4.0KGF MAXMUM



SHELL	H65-H SPCC	1	GOLD PLATED OVER G/F, PLATED OVER 50u" NI min.
9Pin CONTACT	C5191	9	CONTACT AREA: GOLD PLATED OVER 50u" NI min. SOLDED AREA:100u" MIST TIN PLATED OVER 50u" NI min.
10Pin CONTACT	C5191	10	CONTACT AREA: GOLD PLATED OVER 50u" NI min. SOLDED AREA:100u" MIST TIN PLATED OVER 50u" NI min.
BACK INSERT HO-SING	LCP	1	BLACK,UL 94V-0
HO-SING	LCP	1	BLACK,UL 94V-0



THIS DOCUMENT IS THE SOLE PROPERTY OF BBJconn Technology Co.,Ltd. Corporation AND SHOULD NOT BE USED IN WHOLE OR IN PART WITHOUT PRIOR WRITTEN PERMISSION.

PDWG.NO: 0301-1

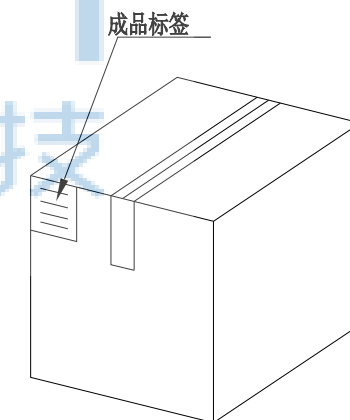
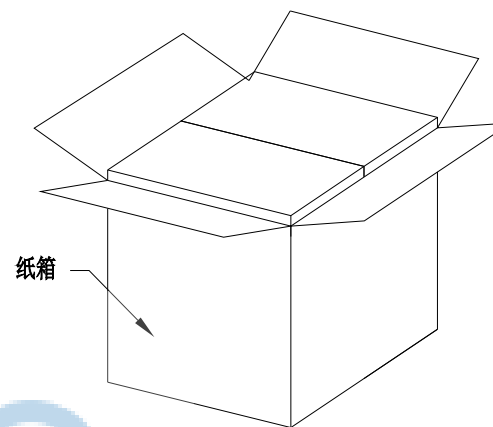
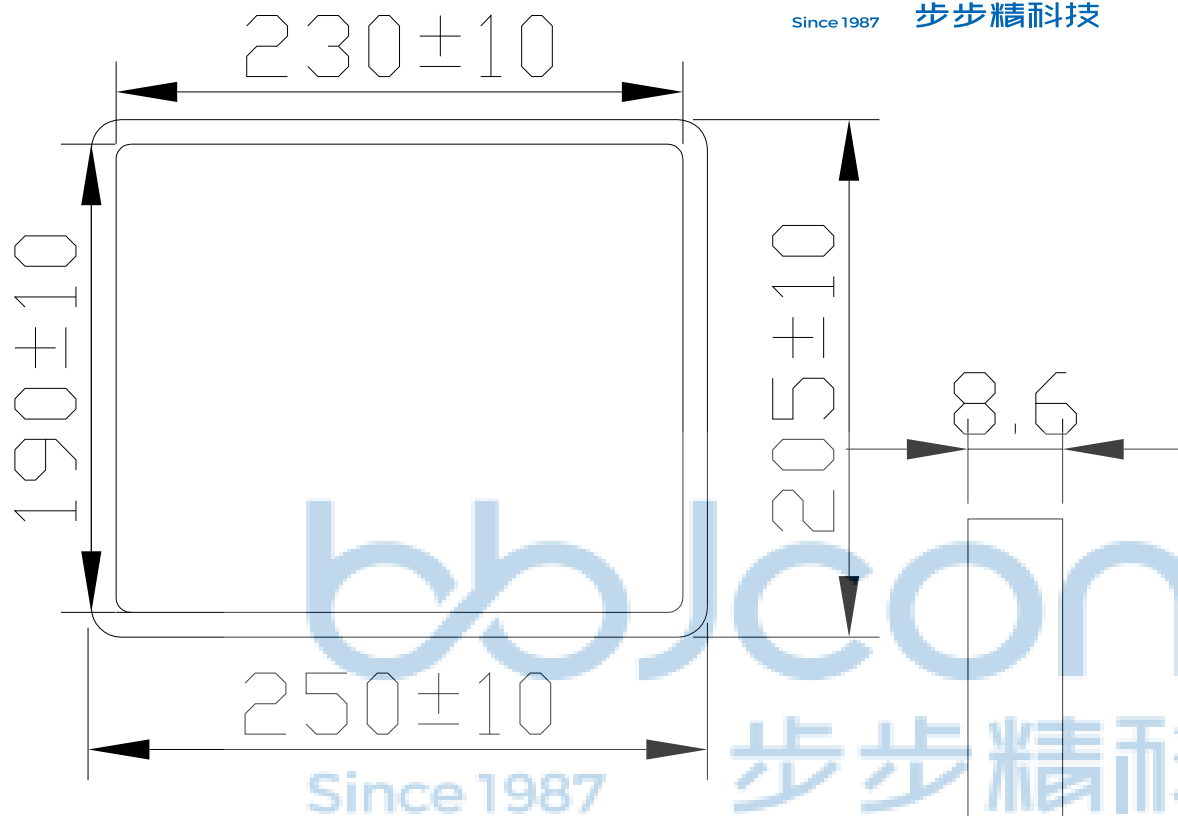
APPD. JM\_Zheng  
CHKD. LYX  
DR. SGF

NAME: HDMI 公头 夹板式1.0 H=12.6mm铁壳

PJ. NO.: HD.04.61-11-B001  
SIZE: A4 DRW NO.:  
FINISH: SEE NOTES MAT'L.: SEE NOTES  
SCALE: N/A REV.: A0 UNIT: mm PAGE: 1/2

**深圳市步步精科技有限公司**

REV.	ECN NO	CONTENT	DATE	ENGINEER
A0				



纸箱规格: 350\*210\*290

1. 包装要求:

- 1.1 每盒吸塑盒包装100pcs;
- 1.2 每20盘放一箱, 共计2000PCS;
- 1.3 纸箱外贴上标签



THIS DOCUMENT IS THE SOLE PROPERTY OF BBJconn Technology Co.,Ltd. Corporation AND SHOULD NOT BE USED IN WHOLE OR IN PART WITHOUT PRIOR WRITTEN PERMISSION.		深圳市步步精科技有限公司 .X: ±0.38    .X': ±3" .XX: ±0.25    .X": ±2" .XXX: ±0.13    .XX': ±1"	
APPD.	JM_Zheng	NAME: HDMI 公头 夹板式1.0 H=12.6mm铁壳	
CHKD.	LYX	PJ. NO.: HD.04.61-11-B001	
DR.	SGF	SIZE: A4   DRW NO.:	
PDWG.NO: 0301-1		FINISH: SEE NOTES    MAT'L.: SEE NOTES	
		SCALE: N/A    REV.: A0    UNIT: mm    PAGE: 2/2	