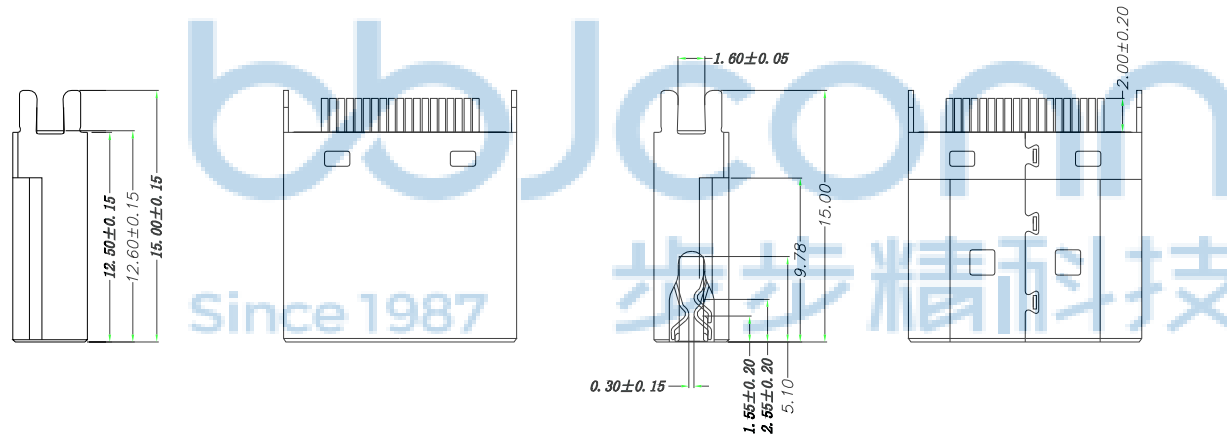
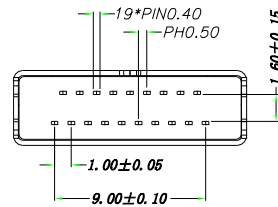


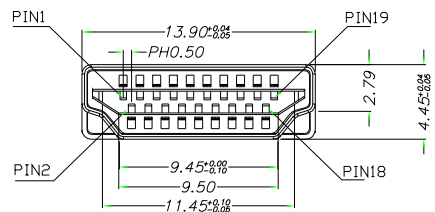
REV.	ECN NO.	CONTENT	DATE	ENGINEER
A0				

NOTE :

- SPECIFICATION:
 - CURRENT RATING: 0.5 Amp Max.
 - VOLTAGE RATING: 40 V ac(r.m.s) Max.
 - CONTACT RESISTANCE: 10m ohms Max.mated
 - INSULATION RESISTANCE: 100M ohms Min.
 - DIELECTRIC WITHSTANDING VOLTAGE: AC 500V Min. (for 1 minute)
 - OPERATION TEMPERATURE RANGE: -25°C-85°C
- MECHANICAL
 - INSERTION FORCE: 4.5KGF MAXMUM
 - WITHDRAWAL FORCE: 1.0KGF MINIMUM; 4.0KGF MAXMUM



cenel tolerance	angle tolerance
.x ±0.15	.x ±1.0°
.xx ±0.10	.xx ±0.5°
.xxx ±0.05	.xxx ±0.2°



SHELL	H65-H SPPC	1	GOLD PLATED OVER G/F, PLATED OVER 50u" NI min.
9 Pin CONTACT	C5191	9	CONTACT AREA: GOLD PLATED OVER 50u" NI min. SOLDED AREA: 100u" MIST TIN PLATED OVER 50u" NI min.
10 Pin CONTACT	C5191	10	CONTACT AREA: GOLD PLATED OVER 50u" NI min. SOLDED AREA: 100u" MIST TIN PLATED OVER 50u" NI min.
BACK INSERT HOUSING	LCP	1	BLACK, UL 94V-0
HOUSING	LCP	1	BLACK, UL 94V-0
PART NAME	Mechanical	QTY	NOTE



THIS DOCUMENT IS THE SOLE PROPERTY OF BBJconn Technology Co., Ltd. CORPORATION AND SHOULD NOT BE USED IN WHOLE OR IN PART WITHOUT PRIOR WRITTEN PERMISSION.

PDWG.NO: 0301-1

深圳市步步精科技有限公司

NAME: HDMI 公头夹板C-1.6针长2.0 端子GF 铁壳镀金

PJ. NO.: HD.04.61-12-B002

SIZE: A4 DRW NO.:

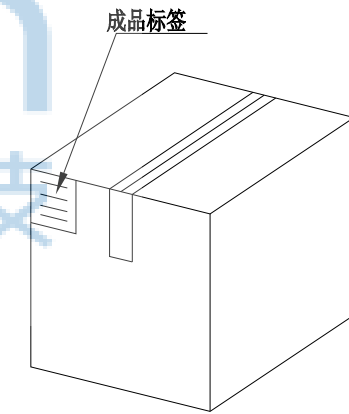
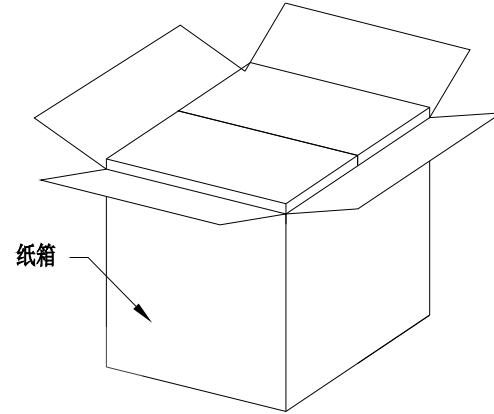
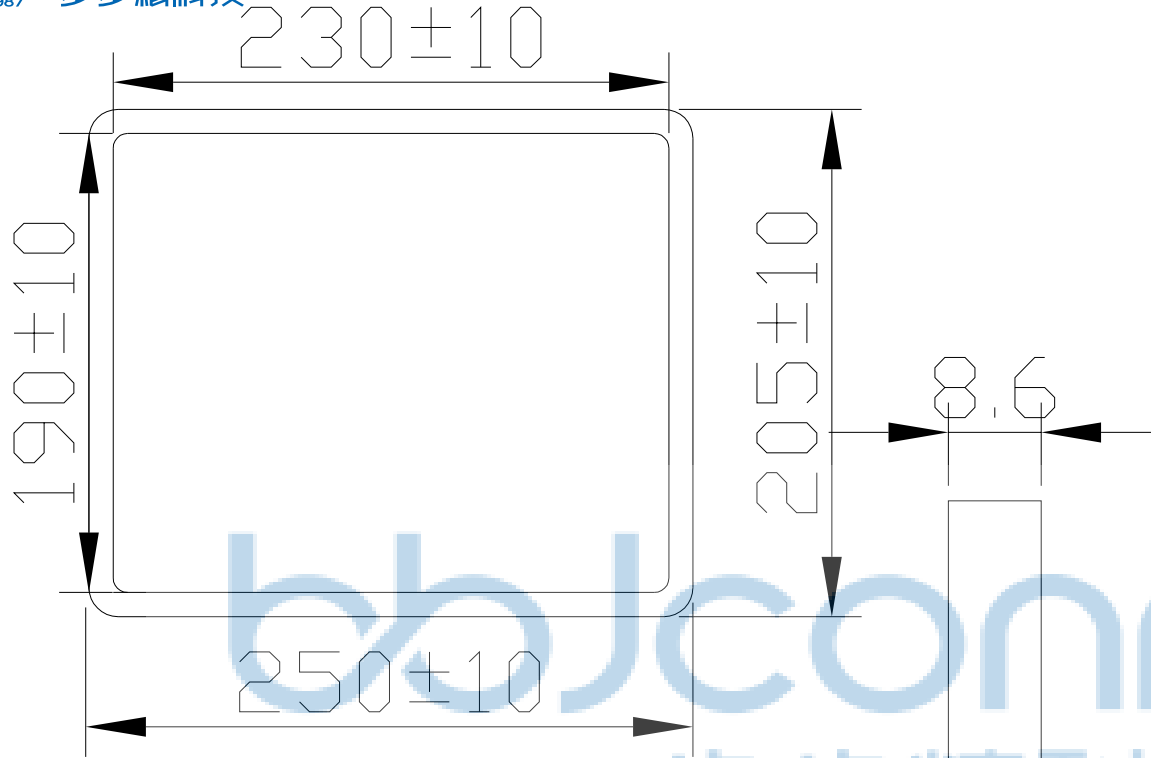
FINISH: SEE NOTES MAT'L.: SEE NOTES

SCALE: N/A REV.: A0 UNIT: mm PAGE: 1/2

APPD. JM_Zheng

CHKD. LYX

DR. SGF



纸箱规格: 350*210*290

1. 包装要求:
- 1.1 每盒吸塑盒包装100pcs;
 - 1.2 每20盘放一箱, 共计2000PCS;
 - 1.3 纸箱外贴上标签



THIS DOCUMENT IS THE SOLE PROPERTY OF BBJconn Technology Co.,Ltd. Corporation AND SHOULD NOT BE USED IN WHOLE OR IN PART WITHOUT PRIOR WRITTEN PERMISSION.		深圳市步步精科技有限公司 .X: ± 0.38 .XX: ± 0.25 .XXX: ± 0.13 X': $\pm 3'$.X': $\pm 2'$.XX': $\pm 1'$		NAME: HDMI 公头夹板C-1.6 针长2.0 端子GF 铁壳镀金	
APPD.	JM_Zheng	PJ. NO.: HD.04.61-12-B002 SIZE: A4 DRW NO.:		FINISH: SEE NOTES MAT'L.: SEE NOTES	
CHKD.	LYX	SCALE: N/A		REV.: A0	UNIT: mm
PDWG.NO:	0301-1	DR.	SGF	PAGE: 2/2	