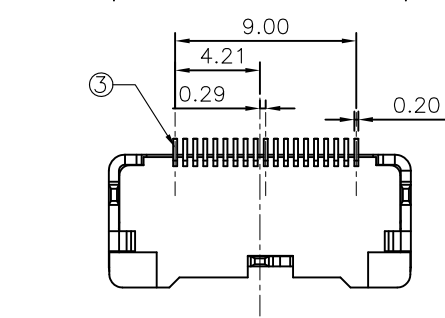
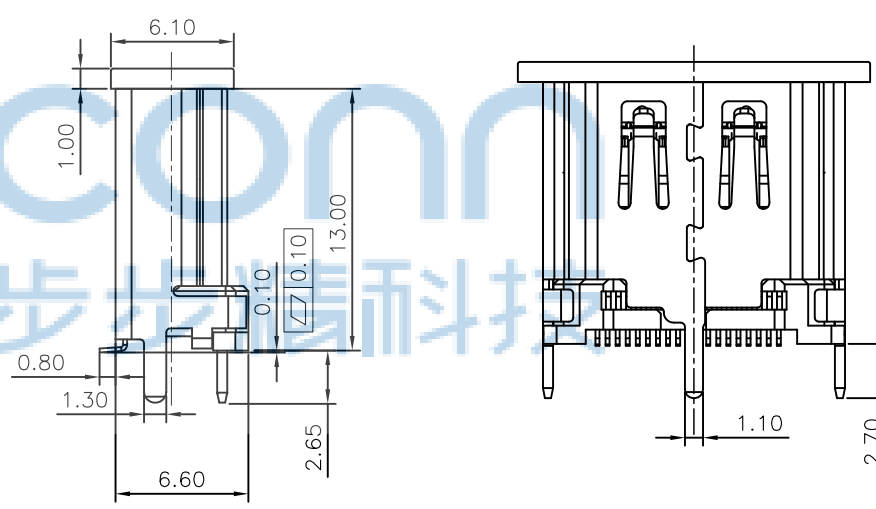
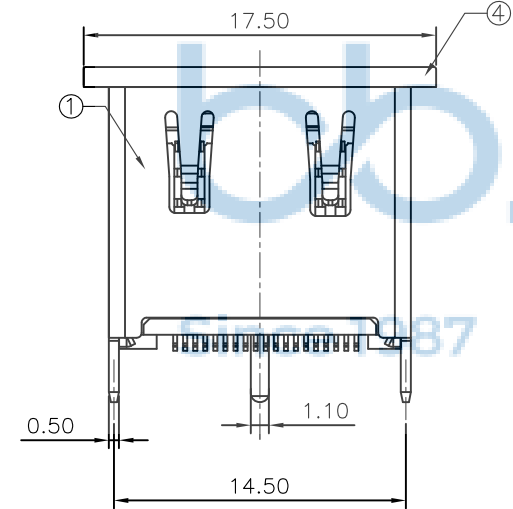
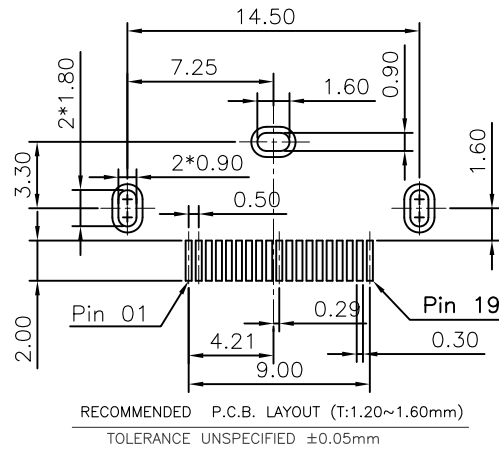
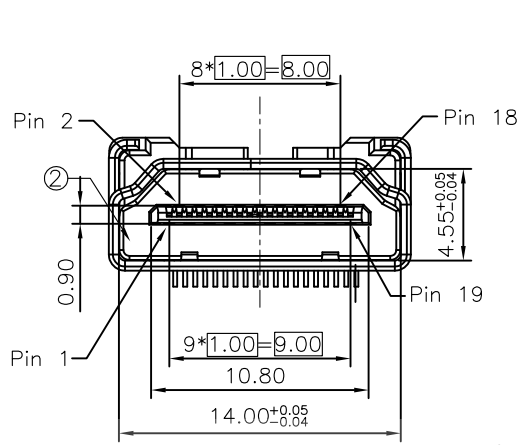


REV.	ECN NO	CONTENT	DATE	ENGINEER
A0				



SPECIFICATIONS

- OPERATING CURRENT: 0.5A MAX.
- OPERATION TEMPERATURE: -25° C TO +85° C
- DIELECTRIC WITHSTANDING VOLTAGE:
500Volts AC BETWEEN ADIACENT TERMINAL (UNMATE)
300Volts AC BETWEEN ADIACENT TERMINAL (MATE)
- INSULATION RESISTANCE:
100Mohm MIN. (UNMATED); 10Mohm MIN. (MATED)
- HDMI SPECIFICATION COMPLIANCE
- 盐雾测试: 国际标准要求, 温度35℃, 浓度5%的盐水, 24H, 用清水洗净后观测, 产品无氧化、无锈蚀
- 寿命测试: ≥10000次

4	DUST COVER	1	THERMOPLASTIC UL94V-0
3	CONTACTS	19	COPPER ALLOY, GOLD PLATED OVER NICKEL (ON CONTACT AREA AND 100μ" MIN. TIN PLATED OVER NICKEL ON SOLDER TAILS)
2	HOUSING	1	THERMOPLASTIC UL94V-0
1	SHELL	1	, NICKEL PLATED
ITEM	NAME	Q' TY	C2680 NOTES



THIS DOCUMENT IS THE SOLE PROPERTY OF BBJconn Technology Co., Ltd. Corporation AND SHOULD NOT BE USED IN WHOLE OR IN PART WITHOUT PRIOR WRITTEN PERMISSION.

PDWG.NO: 0295-1

DR. SGF

APPD. JM_Zheng

CHKD. LYX

深圳市步步精科技有限公司

NAME: HDMI AF 19PIN 立式SMT 三脚插板 H=13.00mm 带防尘盖 180度 SMT 铜壳

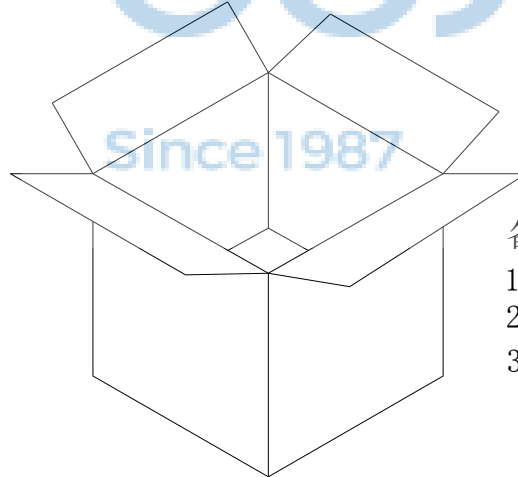
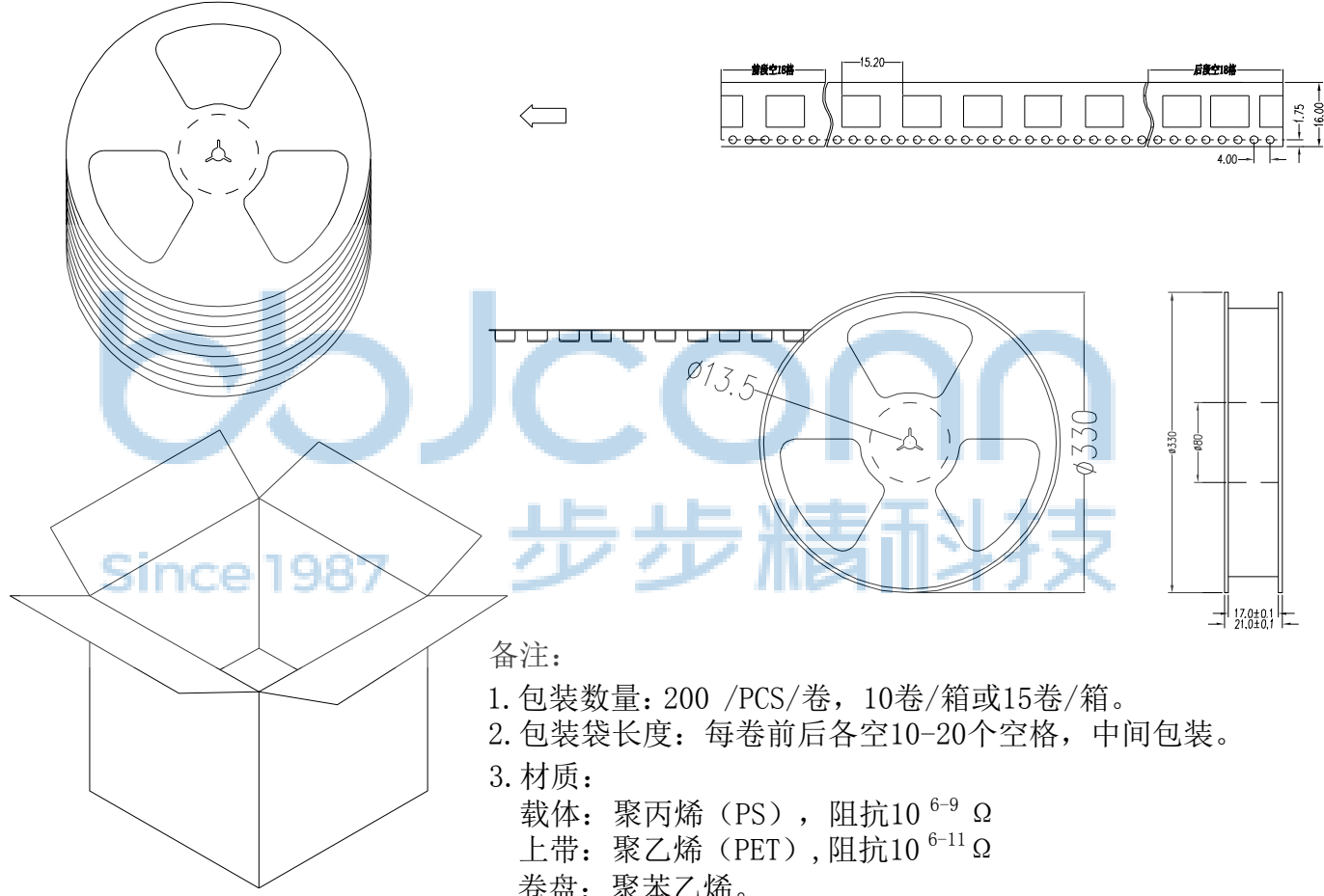
PJ. NO.: HD.01.51-24-J002

SIZE: A4 | DRW NO.:

FINISH: SEE NOTES | MAT'L.: SEE NOTES

SCALE: N/A | REV.: A0 | UNIT: mm | PAGE: 1/2

REV.	ECN NO	CONTENT	DATE	ENGINEER
A0				



备注:

1. 包装数量: 200 /PCS/卷, 10卷/箱或15卷/箱。
2. 包装袋长度: 每卷前后各空10-20个空格, 中间包装。
3. 材质:
载体: 聚丙烯 (PS), 阻抗 $10^{6-9} \Omega$
上带: 聚乙烯 (PET), 阻抗 $10^{6-11} \Omega$
卷盘: 聚苯乙烯。

纸箱规格: 345*345*23MM
纸箱规格: 345*345*35MM



THIS DOCUMENT IS THE SOLE PROPERTY OF BBJconn Technology Co.,Ltd. Corporation AND SHOULD NOT BE USED IN WHOLE OR IN PART WITHOUT PRIOR WRITTEN PERMISSION.		深圳市步步精科技有限公司 .X: ±0.38 .X': ±3' .XX: ±0.25 .X'': ±2' .XXX: ±0.13 .XX': ±1'		NAME: HDMI AF 19PIN 立贴式 SMT 三脚插板 H=13.00mm 带防尘盖 180度 SMT 铜壳	
APPD.	JM_Zheng	PJ. NO.: HD.01.51-24-J002		SIZE: A4 DRW NO.:	
CHKD.	LYX	FINISH: SEE NOTES MAT'L.: SEE NOTES		SCALE: N/A REV.: A0 UNIT: mm PAGE: 2/2	
PDWG.NO:	0295-1	DR.	SGF		