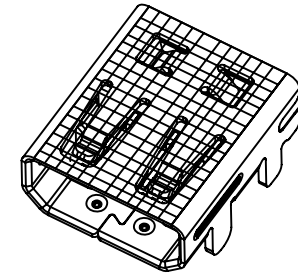
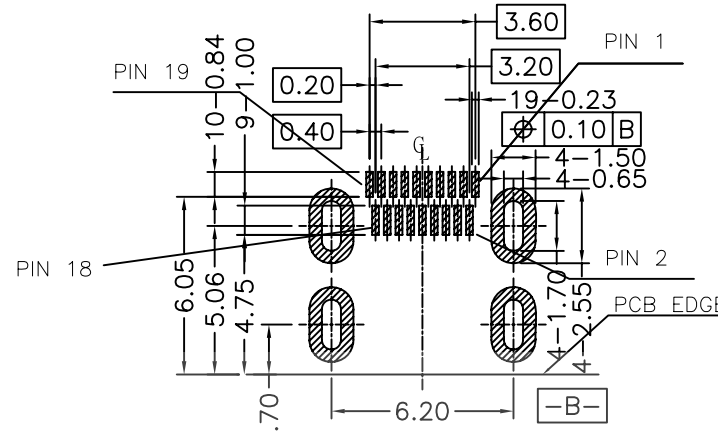
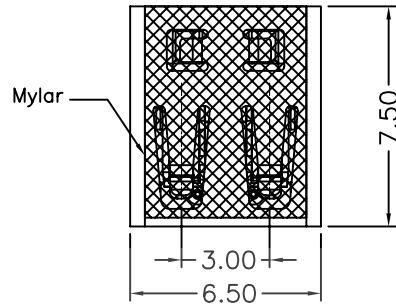
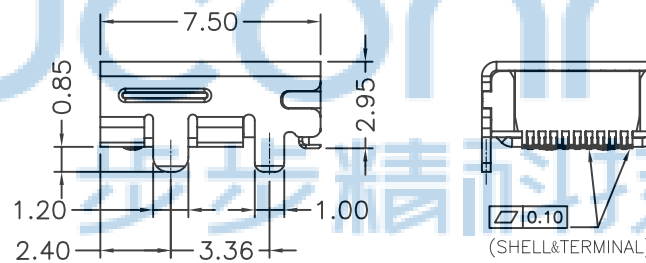
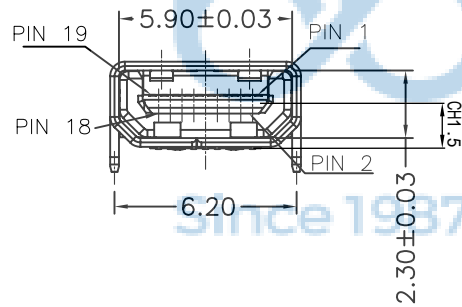


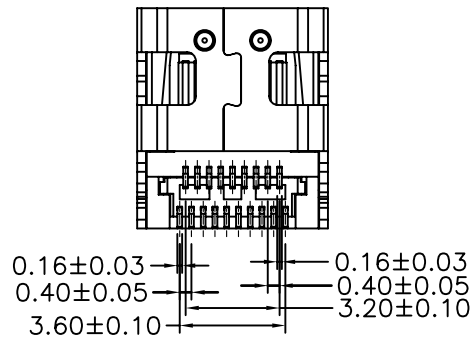
REV.	ECN NO	CONTENT	DATE	ENGINEER
A0				



RECOMMENDED PCB LAYOUT(.XX±0.05)
CONNECTOR SIDE(TOP VIEW)



NOTE:
1.MATERIAL AND FINISH SEE THE TABLE.
2.MECHANICAL CHARACTERISTICS
INSERTION FORCE: 44.1N MAX
EXTRCTION FORCE: 5N MIN(AFTER 5000 CYCLES 3N MIN.), 25N MAX.
MATING CYCLE:5000 CYCLES
3.ELECTRICAL CHARACTERISTICS
RATING CURRENT: 0.5A
RATING VOLTAGE: 40V
CONTACT RESISTANCE: 10 MILLOHMS OHMS MAX (EXCLDING CONDUCTOR RESISTANCE)
INSULATION RESISTANCE:
a, UNMATED: 100M OHMS MIN AT 500 VDC
b, MATED: 10M OHMS MIN AT 150 VDC
DIELECTRIC WITHSTANDING VOLTAGE:
250V AC/1MINUTE
OPERATING TEMPERATURE: -20°C---+85°C
STORAGE TEMPERATURE: -20°C---+65°C



PIN	Signal Assignment	PIN	Signal Assignment
1	Hot Plug Detect	2	Utility
3	TMDS Data2+	4	TMDS Data2 Shield
5	TMDS Data2-	6	TMDS Data1+
7	TMDS Data1 Shield	8	TMDS Data1-
9	TMDS Data0+	10	TMDS Data0 Shield
11	TMDS Data0-	12	TMDS Clock+
13	TMDS Clock Shield	14	TMDS Clock-
15	CEC	16	DDC/CEC Ground
17	SCL	18	SDA
19	+5V Power		

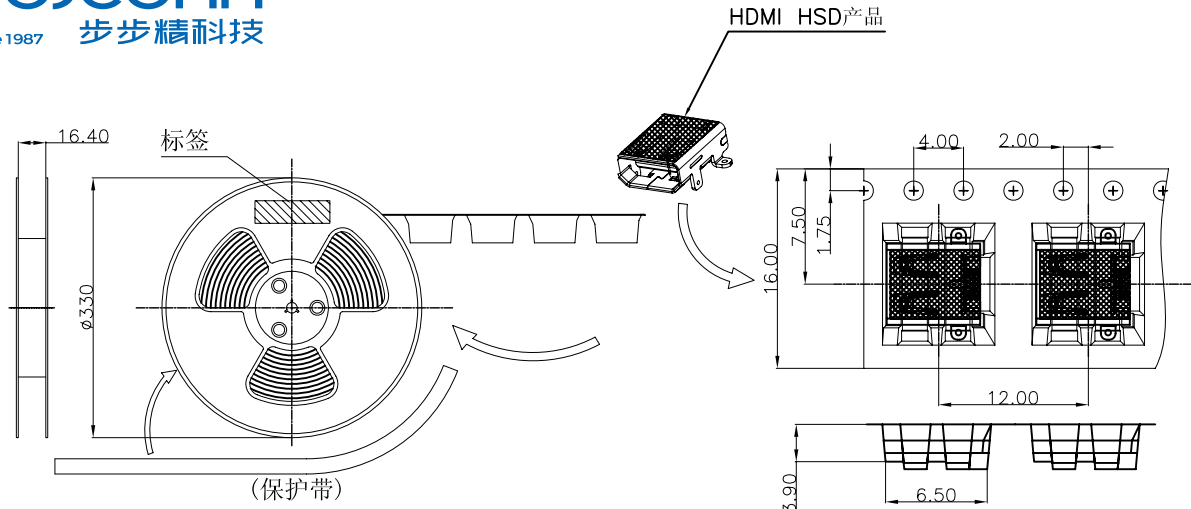
THIS DOCUMENT IS THE
SOLE PROPERTY OF
BBJconn Technology Co.,Ltd.
Corporation AND SHOULD
NOT BE USED IN WHOLE
OR IN PART WITHOUT
PRIOR WRITTEN PERMISSION.
PDWG.NO: 0167-1

深圳市步步精科技有限公司

NAME: HDMI D TYPE L=7.5 SMT SHELL LEG DIP+DIP
PJ. NO.: HD.03.51-21-C001
SIZE: A4 DRW NO.:
FINISH: SEE NOTES MAT'L.: SEE NOTES
SCALE: N/A REV.: A0 UNIT: mm PAGE: 1/2

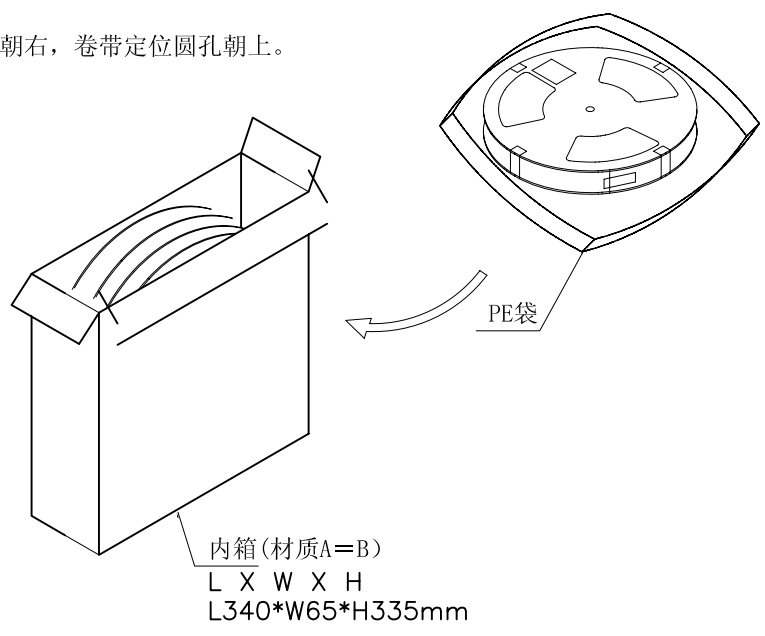
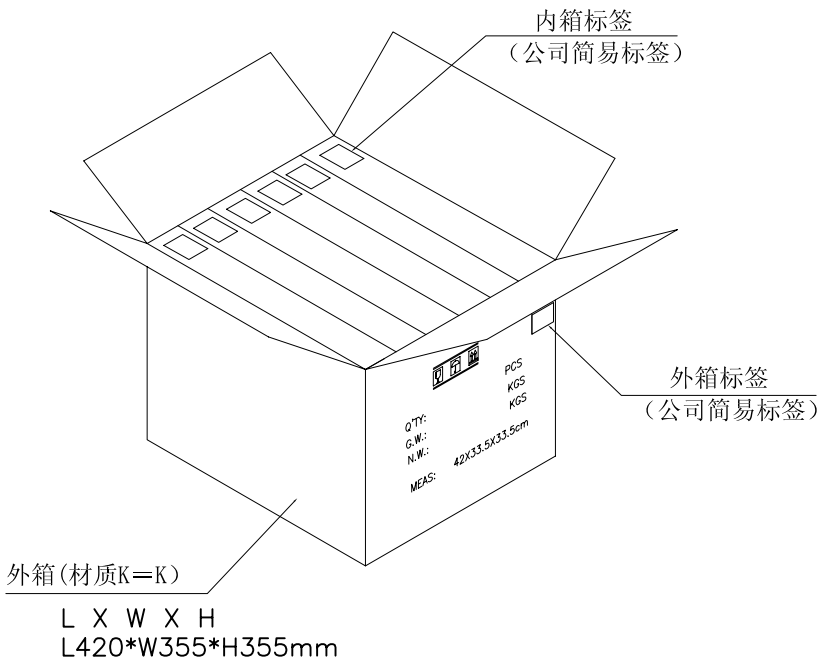
APPD. JM_Zheng
CHKD. LYX
DR. SGF

REV.	ECN NO.	CONTENT	DATE	ENGINEER
AO				



- Notes:
- 1.此部品, 禁止使用含有《环境管理物质控制标准》所限制的物质作为材料;
 - 2.卷带中每位置放置一个产品,每卷卷带的前后端预留约15个孔位不使用;
 - 3.边放产品边用封胶带封口,1个卷盘放置1000个产品;
 - 4.然后再卷一圈保护带,保护带最后重叠约50MM, 用皱纹胶纸将其封住;
 - 5.每个卷盘上贴“视源条源标签”及“环保标签”后入内箱;
 - 6.内箱外侧以胶带封口,每个内箱外侧图示位置贴“内箱标签”;
 - 7.每2个卷盘一个内箱, 6个内箱入1个外箱, 每箱装12000PCS.
 - 8.外箱外侧图示位置贴“外箱标签”.

卷带时收料方向: 焊脚朝右, 卷带定位圆孔朝上。



THIS DOCUMENT IS THE SOLE PROPERTY OF BBJconn Technology Co.,Ltd. Corporation AND SHOULD NOT BE USED IN WHOLE OR IN PART WITHOUT PRIOR WRITTEN PERMISSION.	.X: ±0.38		.X': ±3"		NAME: HDMI D TYPE L=7.5 SMT SHELL LEG DIP+DIP
	.XX: ±0.25		.X': ±2"		
	.XXX: ±0.13		.XX': ±1"		PJ. NO.: HD.03.51-21-C001
	APPD.	JM_Zheng		SIZE: A4	
CHKD.	LYX		FINISH: SEE NOTES		MAT'L.: SEE NOTES
PDWG.NO:	0167-1		DR.	SGF	SCALE: N/A
		REV.: AO	UNIT: mm	PAGE: 2/2	

深圳市步步精科技有限公司