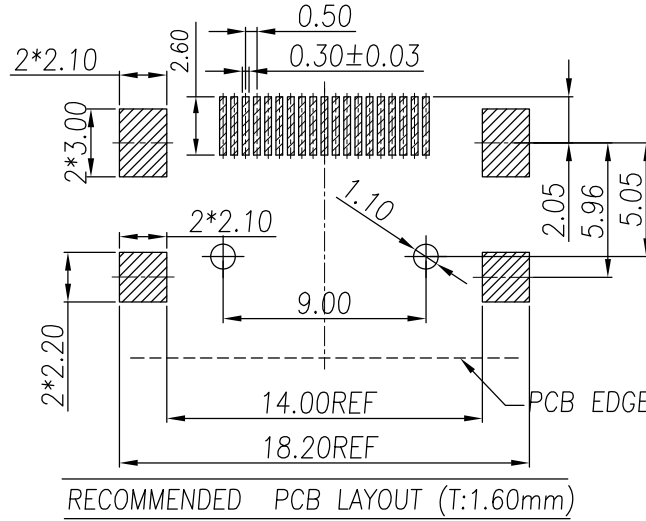
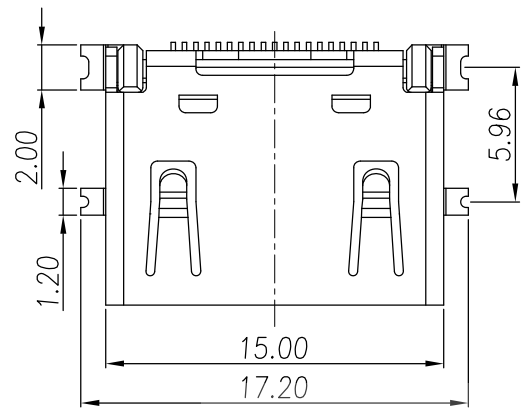
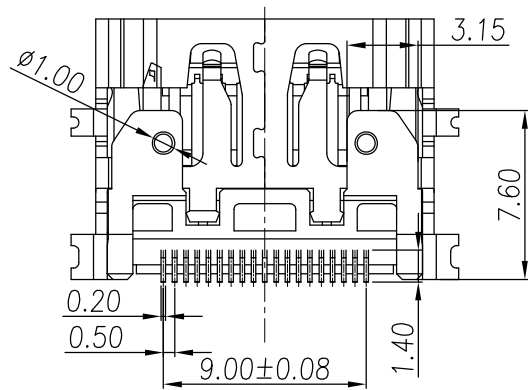
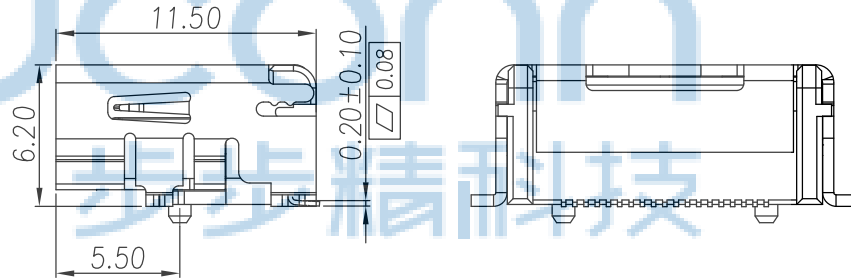
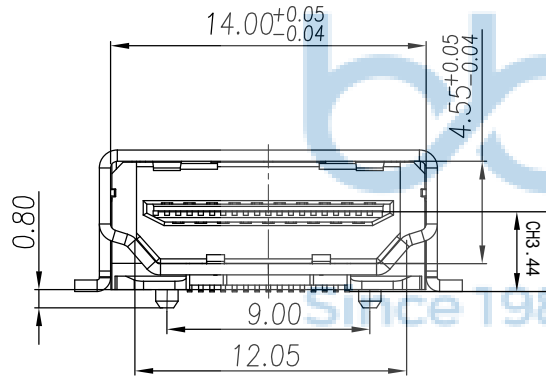


REV.	ECN NO.	CONTENT	DATE	ENGINEER
A0				



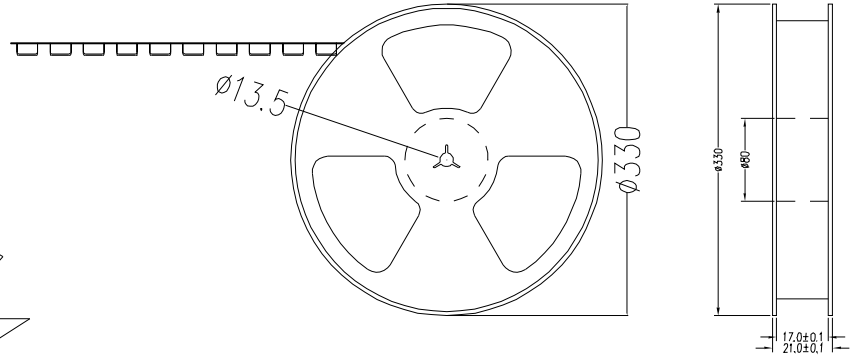
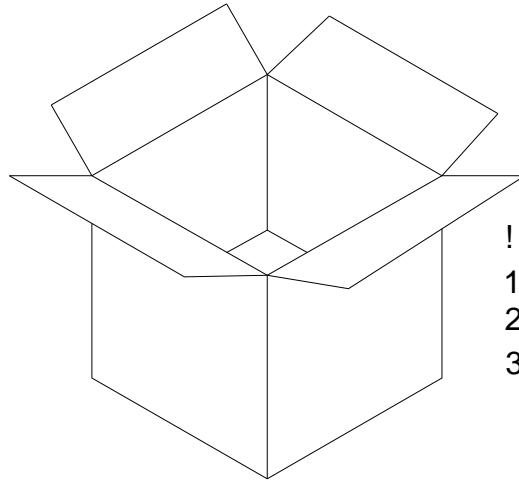
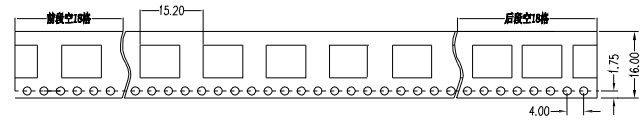
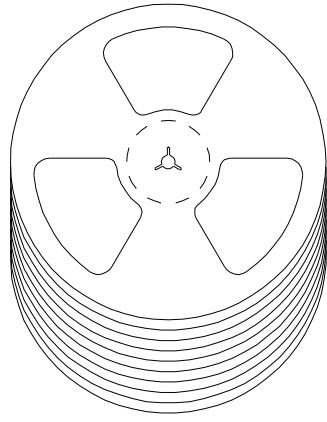
备注:

- 1) 材质:
 - 1-1 本体:LCP 94V-0 黑色
 - 1-2 端子:青铜 T=0.20mm
 - 1-3 铜壳:青铜或SPCC T=0.50mm
- 2) 镀层:
 - 2-1 端子:所有面镀镍镀, 接点镀金(参照料号编码), 焊脚镀锡100u",
 - 2-2 外壳:镀金或镍
- 3) 技术规格
 - 3-1 额定电压:40V
 - 3-2 额定电流:0.5A
 - 3-3 绝缘电阻:100兆欧最小
 - 3-4 接触电阻:30豪欧最大
 - 3-5 操作温度:-20度到85度
 - 3-6 插入力:44.1牛最大
 - 3-7 拔出力:9.8牛最小, 44.1牛最大
 - 3-8 耐久:10000次



THIS DOCUMENT IS THE SOLE PROPERTY OF BBJconn Technology Co.,Ltd. Corporation AND SHOULD NOT BE USED IN WHOLE OR IN PART WITHOUT PRIOR WRITTEN PERMISSION.		深圳市步步精科技有限公司	
PDWG.NO: 0006-1		NAME: HDMI 全贴带定位柱铁1.0柱	
APPD. JM_Zheng	CHKD. LYX	PJ. NO.: HD.01.21-11-7003 SIZE: A4 DRW NO.:	
DR. SGF	FINISH: SEE NOTES SCALE: N/A REV.: A0 UNIT: mm		MAT'L.: SEE NOTES PAGE: 1/2

REV.	ECN NO.	CONTENT	DATE	ENGINEER
A0				



- ! " #
 1. \$ % & ' #500 / PCS / G (10G /) * 15G /) +
 2. \$ %, - . # / G 0 1 2 3 10-204 3 5 (6 7 \$ % +
 3. 8 9 #
 : ; # < = > ? PS@ (A B 10⁶⁻⁹ C
 D E # < F > ? PET@ , A B 10⁶⁻¹¹ C
 G # < H F > +
 I) J 5 # 345*345*23MM
 I) J 5 # 345*345*35MM

THIS DOCUMENT IS THE SOLE PROPERTY OF BBJconn Technology Co.,Ltd. Corporation AND SHOULD NOT BE USED IN WHOLE OR IN PART WITHOUT PRIOR WRITTEN PERMISSION.		深圳市步步精科技有限公司	
.X: ±0.38 .XX: ±0.25 .XXX: ±0.13		X': ±3" .X': ±2" .XX': ±1"	
APPD.	JM_Zheng	NAME: HDMIÉ«ìù'ø¶î»Öùíú1.0Öù	
CHKD.	LYX	PJ. NO.: HD.01.21-11-7003 SIZE: A4 DRW NO.:	
PDWG.NO:	0006-1	DR.	SGF
FINISH: SEE NOTES		MAT'L.: SEE NOTES	
SCALE: N/A		REV.: A0	UNIT: mm PAGE: 2/2