

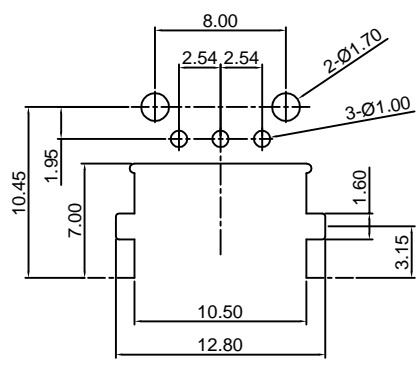
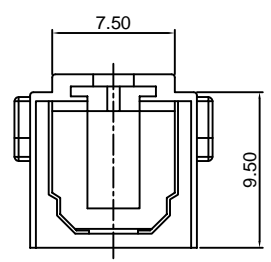
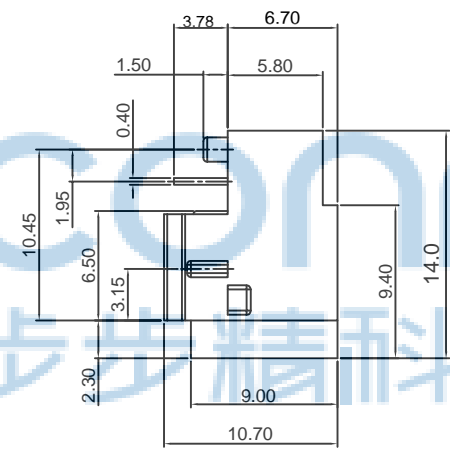
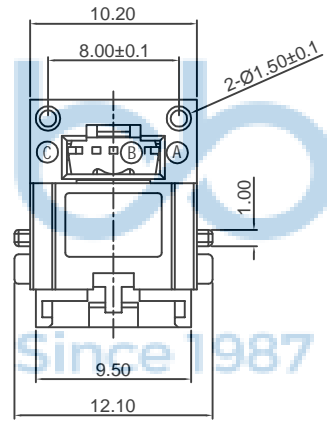
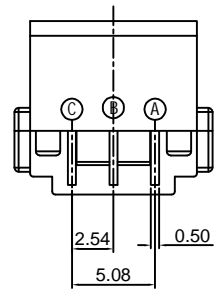
REV.	ECN NO	CONTENT	DATE	ENGINEER
A0		Initial release	/	SGF

机械特性

1. 使用温度: -20℃~+70℃
2. 相对湿度: 85%
3. 插入力: ≤39.2N
4. 拔出力: ≥3.9N
5. 插拔寿命: 500次

PIN FUNCTION

- Ⓐ Vin
- Ⓑ Vcc
- Ⓒ GND



P.C.B 设计参考尺寸



4	芯片	发射信号晶源 (25Mbps)	1	引脚镀锡
3	弹片	SUS301	1	本色
2	门板	PA66	1	黑色
1	主体	PA66	1	黑色
序号	名称	材料	数量	颜色/电镀

THIS DOCUMENT IS THE SOLE PROPERTY OF BBJconn Technology Co., Ltd. Corporation AND SHOULD NOT BE USED IN WHOLE OR IN PART WITHOUT PRIOR WRITTEN PERMISSION.

PDWG.NO: 0050-2

深圳市步步精科技有限公司

NAME: 光纤座 T-030发射

APPD. JM_Zheng

CHKD. LYX

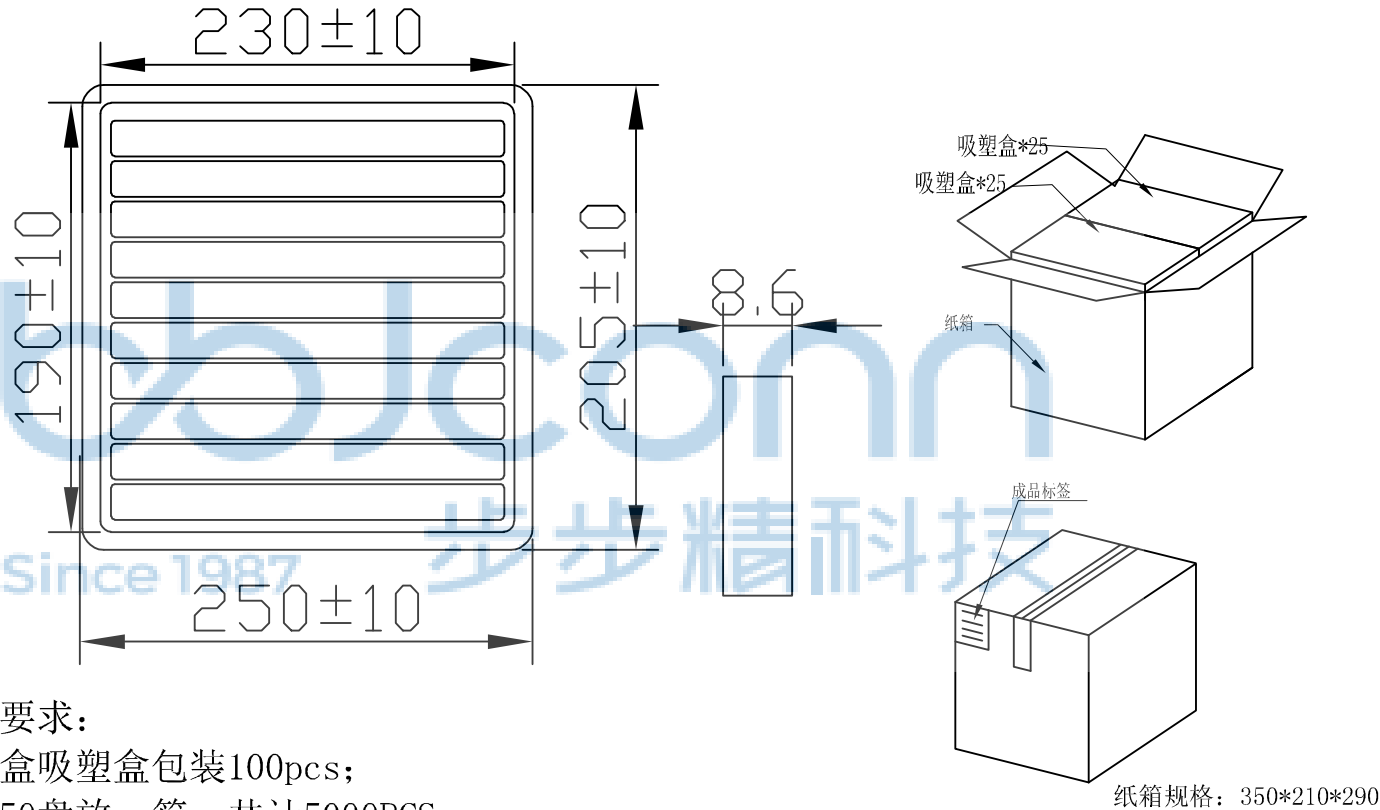
DR. SGF

PJ. NO.: FS.01.01-01-1004

SIZE: A4 DRW NO.:

FINISH: SEE NOTES MAT'L.: SEE NOTES

SCALE: N/A REV.: A0 UNIT: mm PAGE: 1/2



1. 包装要求:

- 1.1 每盒吸塑盒包装100pcs;
- 1.2 每50盘放一箱, 共计5000PCS;
- 1.3 纸箱外贴上标签



THIS DOCUMENT IS THE SOLE PROPERTY OF BBJconn Technology Co.,Ltd. Corporation AND SHOULD NOT BE USED IN WHOLE OR IN PART WITHOUT PRIOR WRITTEN PERMISSION.		深圳市步步精科技有限公司 .X: ±0.38 .X': ±3" .XX: ±0.25 .X'': ±2" .XXX: ±0.13 .XX': ±1"		NAME: 光纤座 T-030发射	
APPD.	JM_Zheng	PJ. NO.: FS.01.01-01-1004 SIZE: A4 DRW NO.:		FINISH: SEE NOTES MAT'L.: SEE NOTES	
CHKD.	LYX	SCALE: N/A		REV.: A0	UNIT: mm
PDWG.NO:	0050-2	DR.	SGF	PAGE: 2/2	