

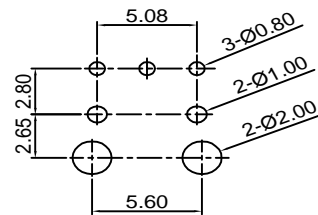
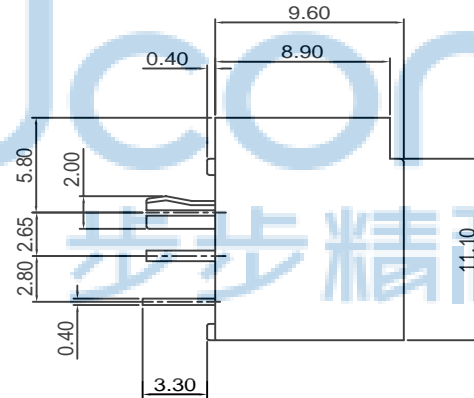
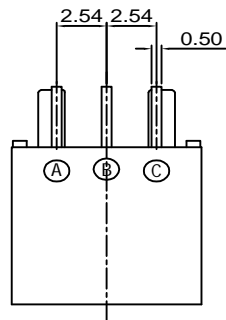
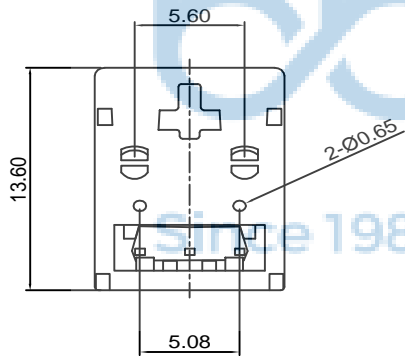
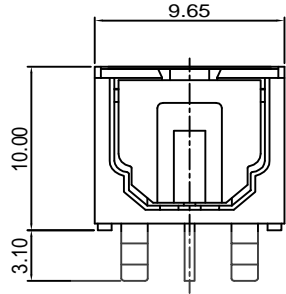
REV.	ECN NO	CONTENT	DATE	ENGINEER
A0		Initial release	/	SGF

机械特性

1. 使用温度: $-20^{\circ}\text{C} \sim +70^{\circ}\text{C}$
2. 相对湿度: 85%
3. 插入力: $\leq 39.2\text{N}$
4. 拔出力: $\geq 3.9\text{N}$
5. 插拔寿命: 500次

PIN FUNCTION

- Ⓐ Vin
- Ⓑ Vcc
- Ⓒ GND



P.C.B 设计参考尺寸



5	固定针	黄铜	2	镀锡
4	芯片	发射信号晶源(25Mbps)	1	引脚镀银
3	弹片	SUS301	1	本色
2	门板	PA66	1	黑色
1	主体	PA66	1	黑色
序号	名称	材料	数量	颜色/电镀

THIS DOCUMENT IS THE SOLE PROPERTY OF BBJconn Technology Co.,Ltd. Corporation AND SHOULD NOT BE USED IN WHOLE OR IN PART WITHOUT PRIOR WRITTEN PERMISSION.

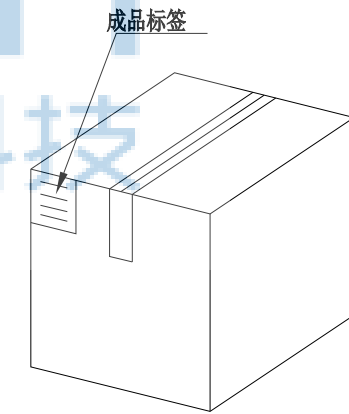
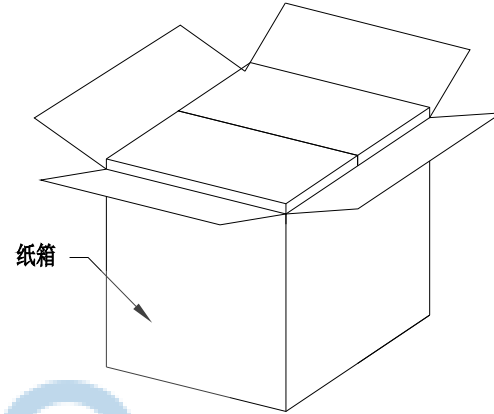
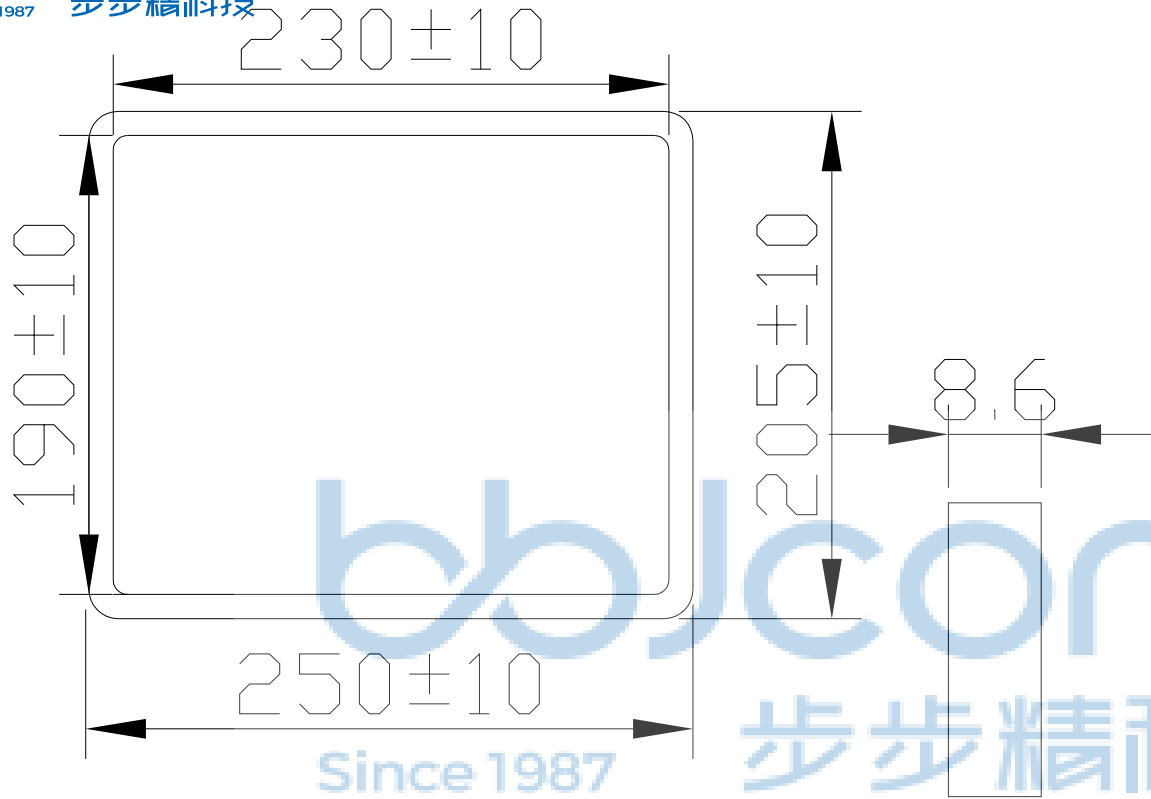
PDWG.NO: 0050-2

NAME: 深圳市步步精科技有限公司
光纤座-T015

APPD. JM_Zheng
CHKD. LYX
DR. SGF

NAME: 光纤座-T015
PJ. NO.: FS.01.01-01-1002
SIZE: A4 DRW NO.:
FINISH: SEE NOTES MAT'L.: SEE NOTES
SCALE: N/A REV.: A0 UNIT: mm PAGE: 1/2

REV.	ECN NO	CONTENT	DATE	ENGINEER
A0		Initial release	/	SGF



1. 包装要求:
- 1.1 每盒吸塑盒包装100pcs;
 - 1.2 每20盘放一箱, 共计2000PCS;
 - 1.3 纸箱外贴上标签



纸箱规格: 350*210*290

THIS DOCUMENT IS THE SOLE PROPERTY OF BBJconn Technology Co.,Ltd. Corporation AND SHOULD NOT BE USED IN WHOLE OR IN PART WITHOUT PRIOR WRITTEN PERMISSION.		深圳市步步精科技有限公司	
PDWG.NO: 0050-2		NAME: 光纤座-T015	
APPD. JM_Zheng		PJ. NO.: FS.01.01-01-1002	
CHKD. LYX		SIZE: A4 DRW NO.:	
DR. SGF		FINISH: SEE NOTES MAT'L.: SEE NOTES	
		SCALE: N/A REV.: A0 UNIT: mm PAGE: 2/2	