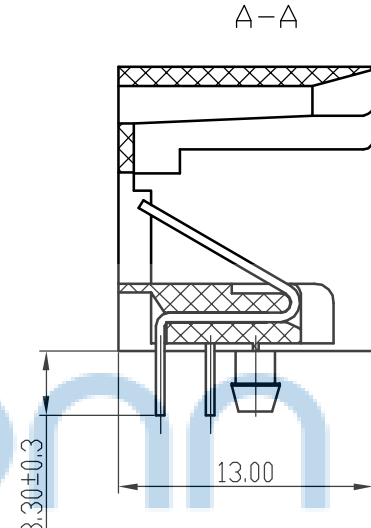
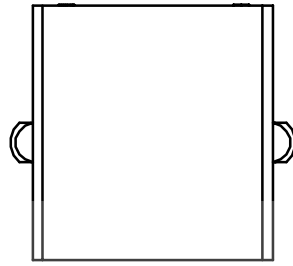
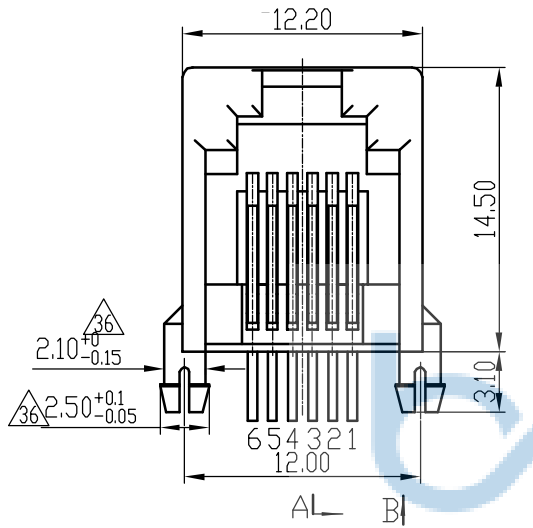


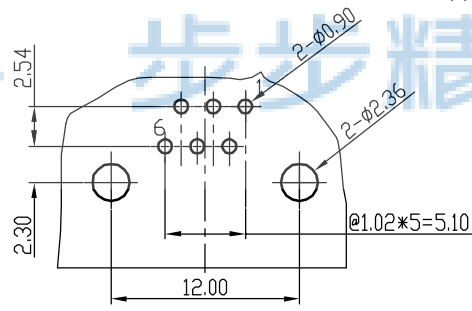
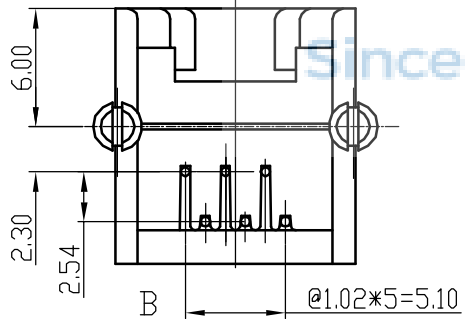
REV.	ECN NO	CONTENT	DATE	ENGINEER
A0		Initial release	/	SGF



- 电气特性:
1. 额定电压: 150 VAC RMS
  2. 额定电流: 1.5 AMP
  3. 接触电阻: 20 mΩ MAX.
  4. 绝缘电阻: 1000 MΩ MIN. @500 VDC
  5. 耐压强度: 1000 V AC 或 1500V DC RMS @ 0.5mA 50 Hz 或 60 Hz 一分钟

- 机构特性:
1. 塑壳材质: 见表格;
  2. 圆针材质: 磷青铜, φ 0.46mm;
  3. 圆针电镀: 镍底, 表面全部镀金;
  4. 可靠性: 最少750次插拔.
  5. 插入/拔出力: 30N Max.
  6. 配合强度: 50N 60S±5S.

- 环境特性:
1. 储存温度: -40℃ ~ +85℃; 0℃ ~ +70℃ (ABS)
  2. 工作温度: -40℃ ~ +85℃; 0℃ ~ +70℃ (ABS)



PC BOARD LAYOUT  
THICKNESS=1.6MM



DESCRIPTION(描述)	CONTACT PLATING GOLD	MATERIAL	L COLOR
RJ11 1X1 5523 6P6C NO EAR PCB JACK	G/F	PBT	黑色

THIS DOCUMENT IS THE SOLE PROPERTY OF BBJconn Technology Co., Ltd. Corporation AND SHOULD NOT BE USED IN WHOLE OR IN PART WITHOUT PRIOR WRITTEN PERMISSION.

PDWG.NO: 0457-1

DR. SGF

APPD. JM\_Zheng

CHKD. LYX

NAME: RJ11 1x1 5523 6P6C 90度 L=13.0 (DIP) 黑色

PJ. NO.: RJ.01.12-11-9001

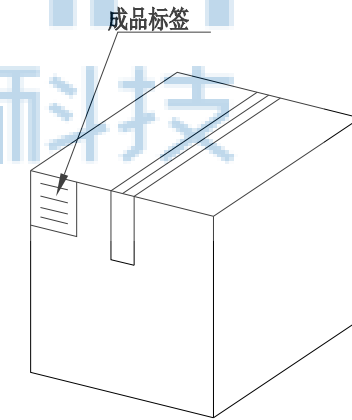
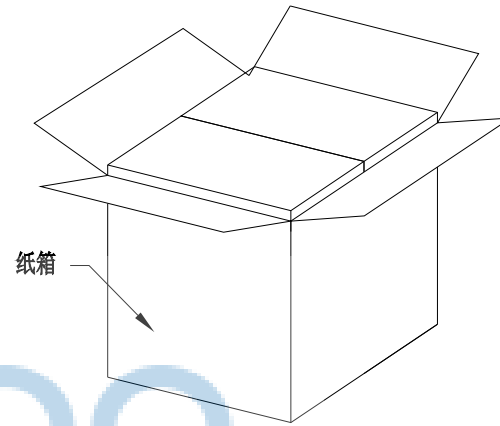
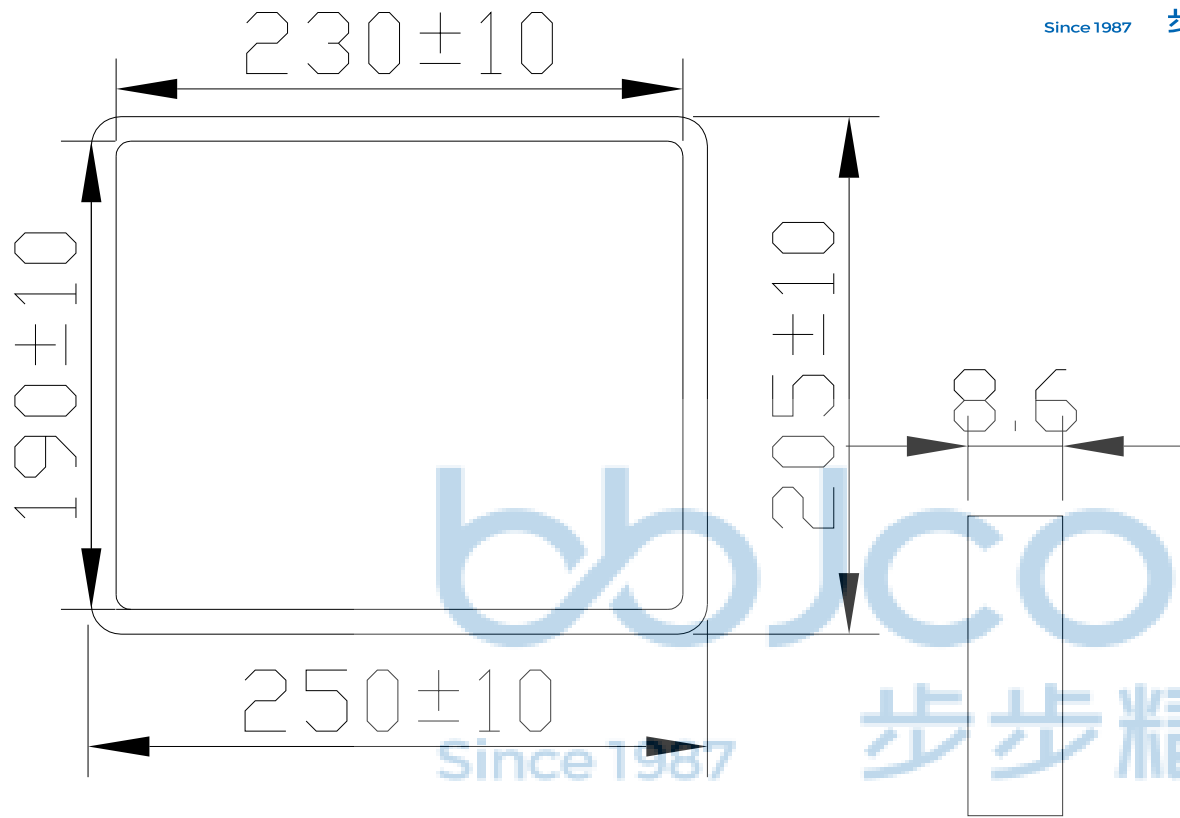
SIZE: A4 DRW NO.:

FINISH: SEE NOTES MAT'L.: SEE NOTES

SCALE: N/A REV.: A0 UNIT: mm PAGE: 1/2

**深圳市步步精科技有限公司**

REV.	ECN NO	CONTENT	DATE	ENGINEER
A0		Initial release	/	SGF



纸箱规格: 350\*210\*290

1. 包装要求:

- 1.1 每盒吸塑盒包装100pcs;
- 1.2 每20盘放一箱, 共计2000PCS;
- 1.3 纸箱外贴上标签

THIS DOCUMENT IS THE SOLE PROPERTY OF BBJconn Technology Co.,Ltd. Corporation AND SHOULD NOT BE USED IN WHOLE OR IN PART WITHOUT PRIOR WRITTEN PERMISSION.		深圳市步步精科技有限公司 .X: ±0.38    X': ±3" .XX: ±0.25    X'': ±2" .XXX: ±0.13    XX': ±1"		NAME: RJ11 1x1 5523 6P6C 90度 L=13.0 (DIP) 黑色	
APPD.	JM_Zheng	PJ. NO.: RJ.01.12-11-9001 SIZE: A4   DRW NO.:		FINISH: SEE NOTES   MAT'L.: SEE NOTES	
CHKD.	LYX	SCALE: N/A		REV.: A0	UNIT: mm
PDWG.NO:	0457-1	DR.	SGF	PAGE: 2/2	