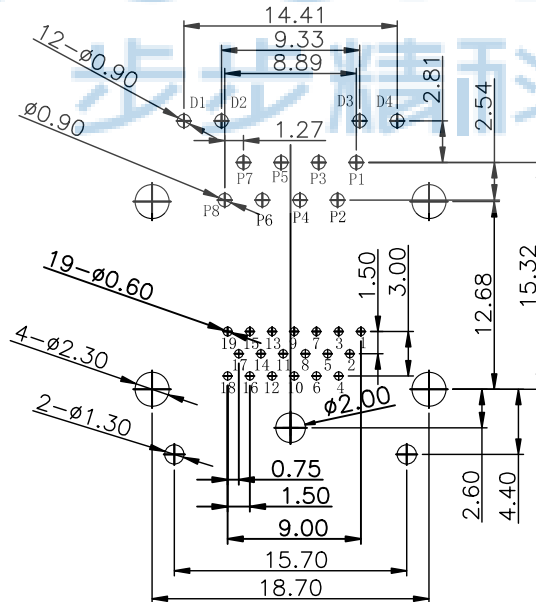
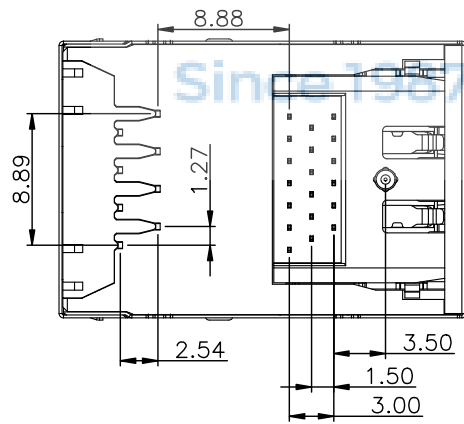
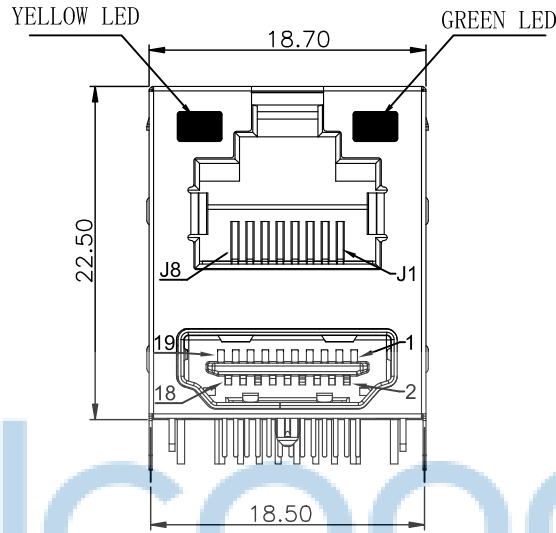
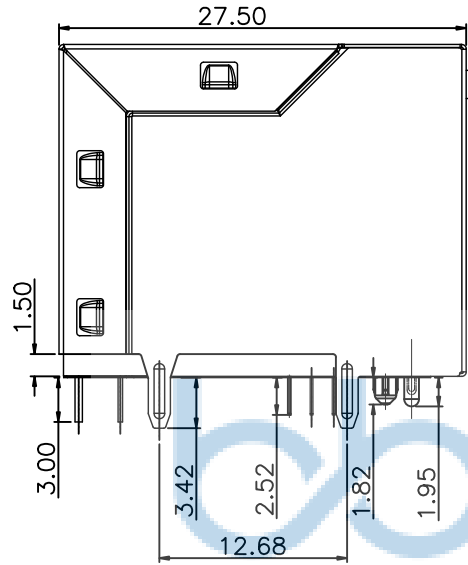
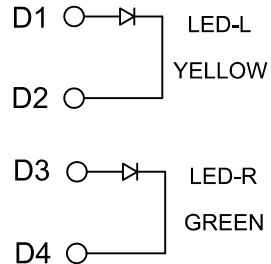


REV.	ECN NO.	CONTENT	DATE	ENGINEER
A0				



RECOMMENDED P.C.B LAYOUT
TOP VIEW (COMPONENT SIDE)



NOTE:

1.MATERIAL:

- 1.1 Housing : High Temperature .Thermoplastics.BK.UL94 V-0.
- 1.2 Contact:Copper Alloy.Flash Gold Plating Overall.
- 1.3 Shell :Copper Alloy.Nickel Plating Overall.

2.ELCTRICAL PERFORMANCE :

- Voltage Current Rating : 1.5 AMP. 30V AC.
- Insulation Resistance : 1000M Ω Min.
- Contact Resistance : 40 m Ω Max.
- Dielectric Withstanding Voltage : 500V AC.

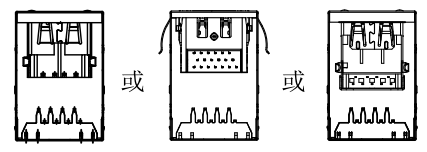
3.Temperature Range : -45℃ to +85℃.



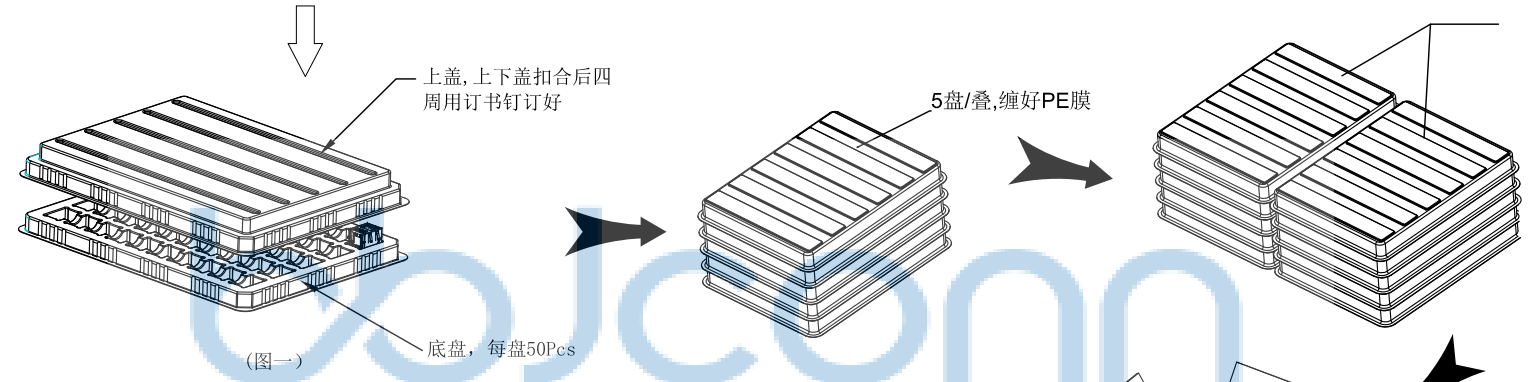
THIS DOCUMENT IS THE SOLE PROPERTY OF BBJconn Technology Co.,Ltd. Corporation AND SHOULD NOT BE USED IN WHOLE OR IN PART WITHOUT PRIOR WRITTEN PERMISSION.		深圳市步步精科技有限公司 .X: ±0.38 .X': ±3' .XX: ±0.25 .X': ±2' .XXX: ±0.13 .XX': ±1'		NAME: (上RJ45+下HDMI 19P) 双层 90度 L=27.50 H=22.50 带灯(左黄右绿) 无弹 不带滤波 铜壳 全包 DIP	
APPD.	JM_Zheng	PJ. NO.: RJ.01.22-22-A001 SIZE: A4 DRW NO.:	FINISH: SEE NOTES MAT'L.: SEE NOTES		
CHKD.	LYX		SCALE: N/A REV.: A3 UNIT: mm PAGE: 1/2		
PDWG.NO:	0642-1	DR.	LHC		

REV.	ECN NO.	CONTENT	DATE	ENGINEER
A0				

- 数量: 1盘=50Pcs, 一箱10盘=500Pcs
- 将装好产品的5个真空盒整齐叠放在一起, 缠好PE膜, 共两叠每叠250PCS放入纸箱中(上下两面各放一张平卡), 用封箱胶纸封好纸箱。
- 包材脏污破损不可使用, 包装过程中注意不可碰伤刮伤产品
- 外箱材质为K=K, 要求破裂强度为16Kg



或 或



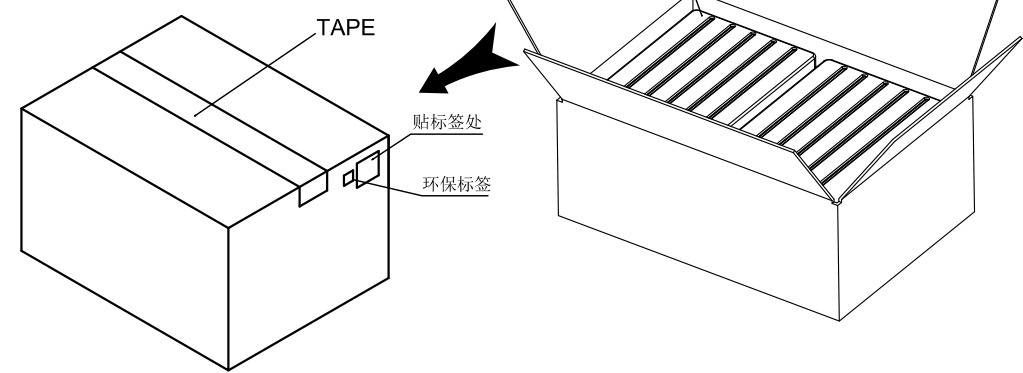
Since 1987

步步精科技



上面放一张平卡

底部放一张平卡



序号	品名	数量	规格
2	真空盒上盖	10PCS	295*220*30mm
3	真空盒下盖	10PCS	295*220*15mm
4	纸箱	1PCS	455*310*175mmK=K
5	平卡	2PCS	295*440*5mmK=K

THIS DOCUMENT IS THE SOLE PROPERTY OF BBJconn Technology Co.,Ltd. Corporation AND SHOULD NOT BE USED IN WHOLE OR IN PART WITHOUT PRIOR WRITTEN PERMISSION. PDWG.NO: 0642-1

深圳市步步精科技有限公司

.X: ±0.38 X': ±3' .XX: ±0.25 .X': ±2' .XXX: ±0.13 .XX': ±1'

NAME: (上RJ45+下HDMI 19P) 双层 90度 L=27.50 H=22.50 带灯(左黄右绿) 无弹 不带滤波 铜壳 全包 DIP

APPD. JM_Zheng

CHKD. LYX

DR. LHC

PJ. NO.: RJ.01.22-22-A001

SIZE: A4 DRW NO.:

FINISH: SEE NOTES MAT'L.: SEE NOTES

SCALE: N/A REV.: A3 UNIT: mm PAGE: 2/2