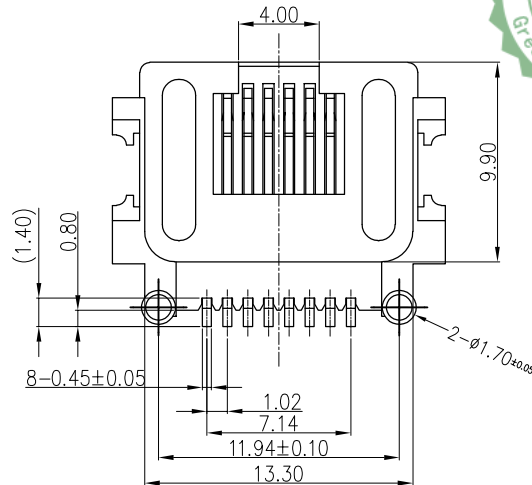
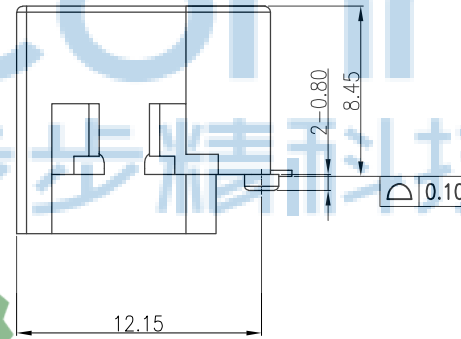


RECOMMENDED P.C.B. LAYOUT
GENERAL TOLERANCE: ±0.05

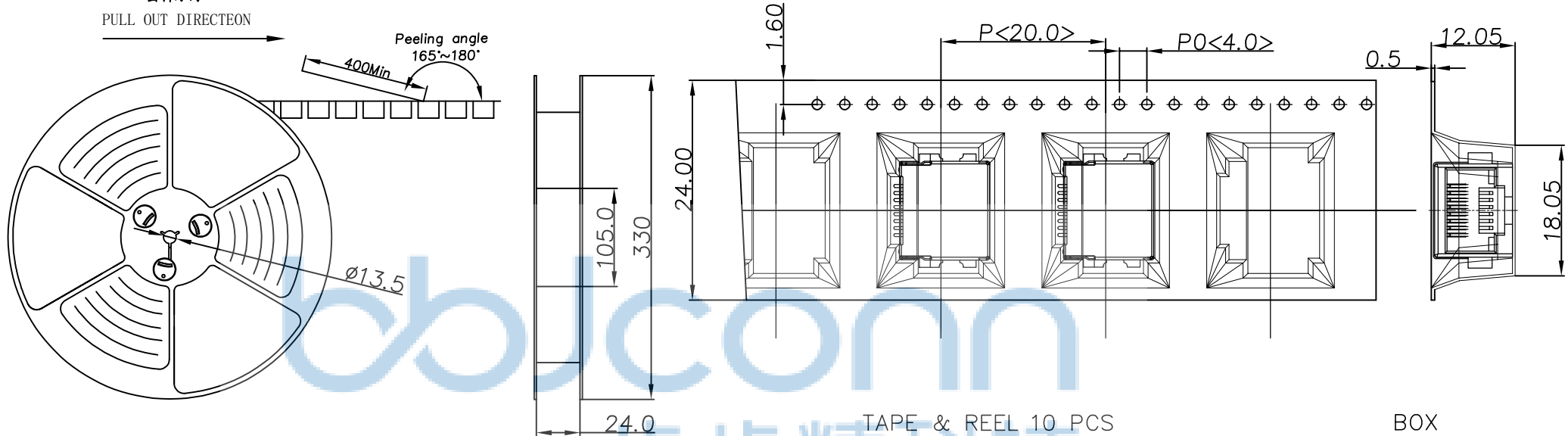


NOTES:

- MATERIAL
CONTACTS: COPPER ALLOY
SHELL: COPPER ALLOY
HOUSING: HIGH TEMPERATURE RESISTANT PLASTIC, UL94 V-0.
- ELECTRICAL PERFORMANCE,
CONTACT RESISTANCE: 40MΩ MAX
CONTACT CURRENT RATING: 1.5 AMPERES
DIELECTRIC WITHSTAND VOLTAGE, 150V R. M. S
INSULATION RESISTANCE: 500MΩ MIN
OPERATING TEMPERATURE: -40° C~+85° C.
- MECHANICAL PERFORMANCE,
DURABILITY: 500 CYCLES.
- PLATING SPECIFICATION:
CONTACTS: GOLD PLATED ON CONTACT AREA, Sn ON SOLDER AREA
NICKEL UNDERPLATED.
SHELL: 50u"MIN BRIGHT NICKEL PLATING OVER ALL,
NICKEL MUST BE SOLDRABILITY.

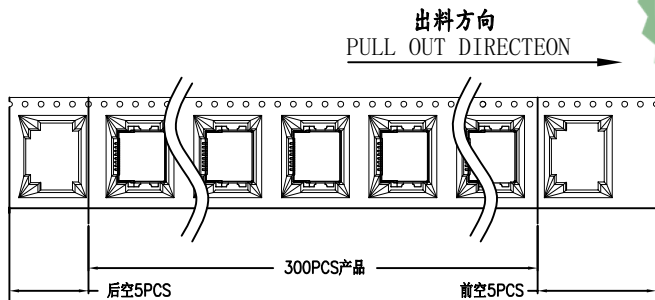
PIN	Name	Description
1	TX+	Trancelive Data+(发信号+)
2	TX-	Trancelive Data-(发信号-)
3	RX+	Receive Data+(收信号+)
4	N/C	Not connected(空脚)
5	N/C	Not connected(空脚)
6	RX-	Receive Data-(收信号-)
7	N/C	Not connected(空脚)
8	N/C	Not connected(空脚)

THIS DOCUMENT IS THE SOLE PROPERTY OF BBJconn Technology Co.,Ltd. Corporation AND SHOULD NOT BE USED IN WHOLE OR IN PART WITHOUT PRIOR WRITTEN PERMISSION.	深圳市步步精科技有限公司 .X: ±0.38 .X': ±3" .XX: ±0.25 .X": ±2" .XXX: ±0.13 .XX': ±1"		NAME: RJ45沉板8.6全塑SMT	
	APPD. JM_Zheng	PJ. NO.: RJ. 03. 12-11-5001		
	CHKD. LYX	SIZE: A4 DRW NO.:		
	DR. SGF	FINISH: SEE NOTES MAT'L.: SEE NOTES		
PDWG.NO: 0100-2	SCALE: N/A	REV.: A0	UNIT: mm	PAGE: 1/2

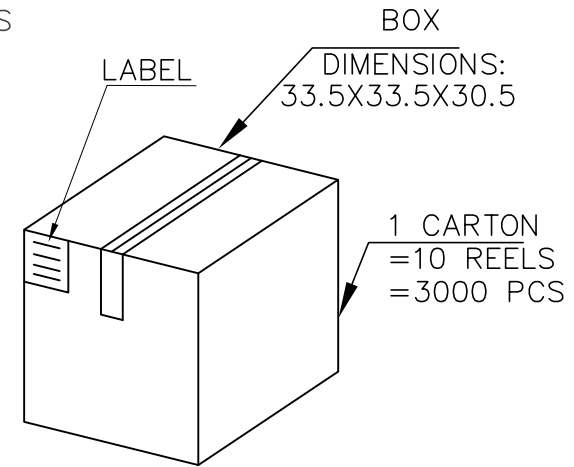
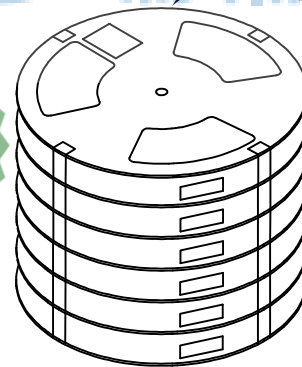


NOTES

1. 帶子引導長度
LEAD TAPE LENGTH
出料方向
PULL OUT DIRECTEON



2. 上帶 剝力力為 : 0.1~1.3N(10.2gf~130gf)
PEELING OFF FORCE OF TOP TAPE: 0.1~1.3N(10.2gf~130gf)
出貨運輸過程中一定注意:
THIS REQUIREMENT SHOULD BE APPLIED AT SHIPMENT:
卷帶在運輸過程中不能散開
PEELING OFF SHOULD NOT BE ALLOWED DURING TRANSPORTATION



THIS DOCUMENT IS THE SOLE PROPERTY OF BBJconn Technology Co., Ltd. Corporation AND SHOULD NOT BE USED IN WHOLE OR IN PART WITHOUT PRIOR WRITTEN PERMISSION.		深圳市步步精科技有限公司 .X: ±0.38 .X': ±3' .XX: ±0.25 .X': ±2' .XXX: ±0.13 .XX': ±1'		NAME: RJ45沉板8.6全塑SMT PJ. NO.: RJ.03.12-11-5001 SIZE: A4 DRW NO.: FINISH: SEE NOTES MAT'L.: SEE NOTES SCALE: N/A REV.: A0 UNIT: mm PAGE: 2/2	
APPD.	JM_Zheng	CHKD.	LYX	DR.	SGF
PDWG.NO:	0100-2				