

REV.	ECN NO.	CONTENT	DATE	ENGINEER
AO		Initial Release	/	LHC

说明:

1. 材质:

胶芯: LCP, UL94V-0; COLOR: BLACK

端子: C5191

外壳: C2680

2. 电镀说明:

端子: 接触区域镀金G.F

焊锡区域镀锡

全部区域镍底

外壳: 表面镀镍

3. 性能说明:

1) 电压: 150V AC RMS.

2) 额定电流: 1.5A.

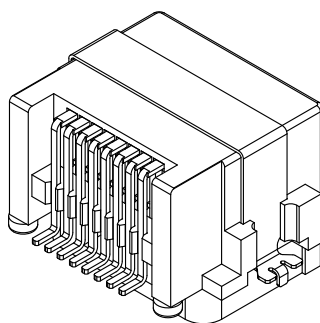
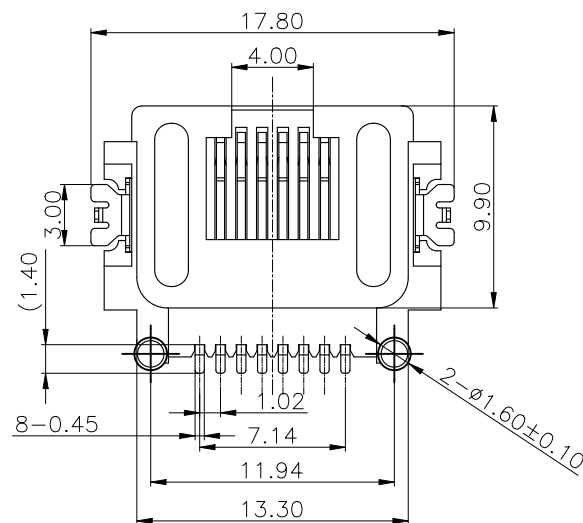
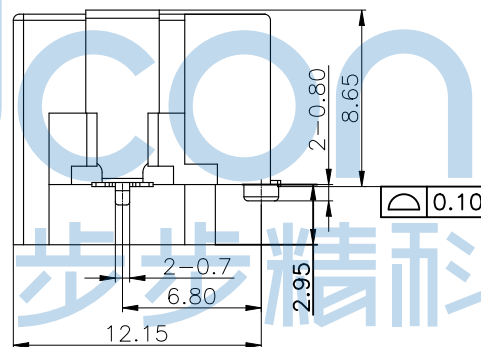
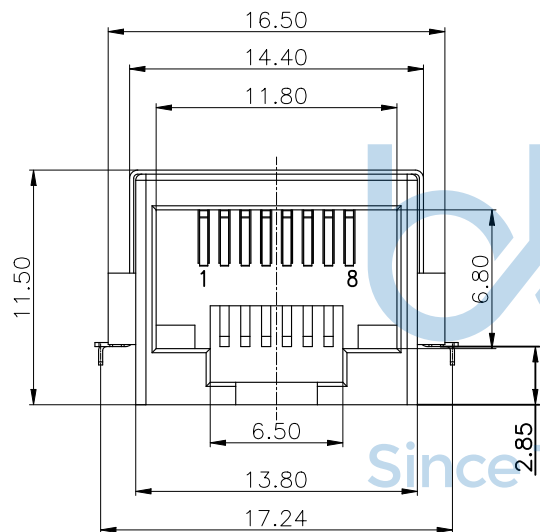
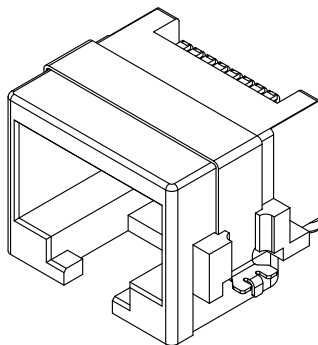
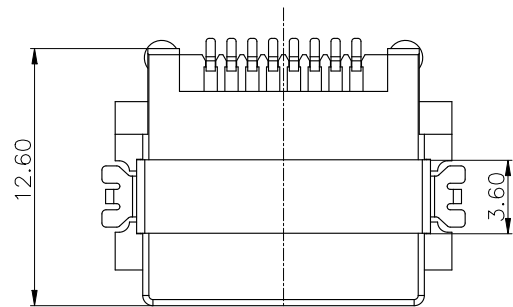
3) 接触电阻: 40mΩ Max.

4) 绝缘电阻: 500MΩ MIN.

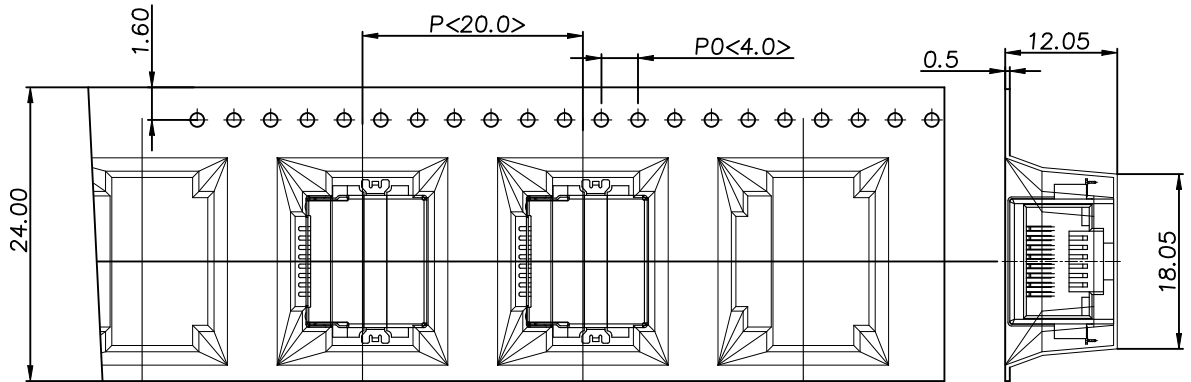
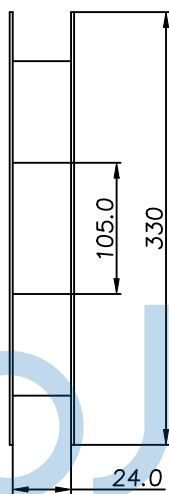
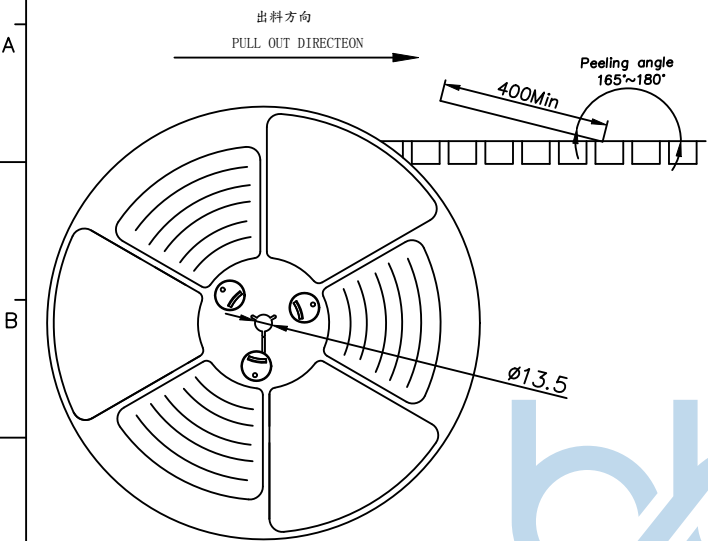
5) 绝缘耐压: 1000V AC.

6) 工作温度: -40° C TO +80° C.

7) 耐久性: 500 Mating Cycles MIN.

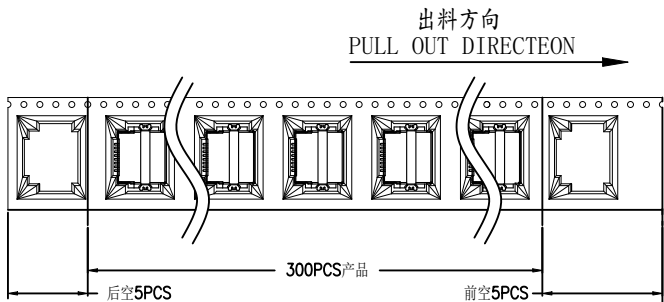


THIS DOCUMENT IS THE SOLE PROPERTY OF BBJconn Technology Co., Ltd. Corporation AND SHOULD NOT BE USED IN WHOLE OR IN PART WITHOUT PRIOR WRITTEN PERMISSION.		深圳市步步精科技有限公司 .X: ±0.38 .X': ±3" .XX: ±0.25 .X'': ±2" .XXX: ±0.13 .XX': ±1"		NAME: 网络接口 RJ45 沉板8.6 无灯 无弹 不带滤波 半包 SMT 铜壳	
APPD.	JM_Zheng	PJ. NO.: RJ.03.22-11-5002 SIZE: A4 DRW NO.:		FINISH: SEE NOTES MAT'L.: SEE NOTES	
CHKD.	LYX	SCALE: N/A		REV.: AO	UNIT: mm
PDWG.NO:	0100-2	DR.	LHC	PAGE: 1/2	



NOTES

1. 帶子引導長度
LEAD TAPE LENGTH
出料方向
PULL OUT DIRECTEON



2. 上帶 剝力力為 : 0.1~1.3N(10.2gf~130gf)
PEELING OFF FORCE OF TOP TAPE: 0.1~1.3N(10.2gf~130gf)
出貨'運輸過程中一定注意 :
THIS REQUIREMENT SHOULD BE APPLIED AT SHIPMENT :
卷帶在運輸過程中不能散開
PEELING OFF SHOULD NOT BE ALLOWED DURING TRANSPORTATION

TAPE & REEL 10 PCS

1 REEL
= 300 PCS

BOX

DIMENSIONS:
33.5X33.5X30.5

1 CARTON
=10 REELS
=3000 PCS



THIS DOCUMENT IS THE SOLE PROPERTY OF BBJconn Technology Co., Ltd. Corporation AND SHOULD NOT BE USED IN WHOLE OR IN PART WITHOUT PRIOR WRITTEN PERMISSION.		深圳市步步精科技有限公司 .X: ±0.38 .X': ±3" .XX: ±0.25 .X": ±2" .XXX: ±0.13 .XX': ±1"	
APPD.	JM_Zheng	NAME: 网络接口 RJ45 沉板8.6 无灯 无弹 不带滤波 半包 SMT 铜壳	
CHKD.	LYX	PJ. NO.: RJ. 03. 22-11-5002	
DR.	LHC	SIZE: A4 DRW NO.:	
PDWG.NO: 0100-2		FINISH: SEE NOTES MAT'L.: SEE NOTES	
		SCALE: N/A REV.: AO UNIT: mm PAGE: 2/2	