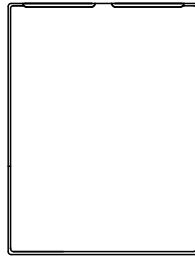
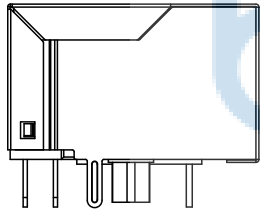


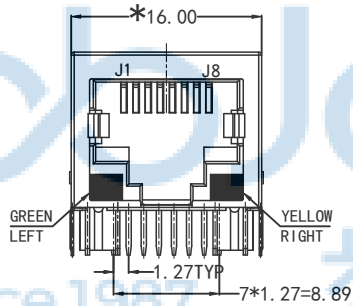
| REV. | ECN NO | CONTENT | DATE | ENGINEER |
|------|--------|---------|---------------|----------|
| A0 | | | 2023 20/04 | |



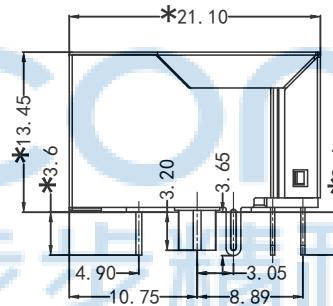
TOP VIEW



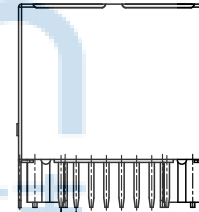
LEFT SIDE VIEW



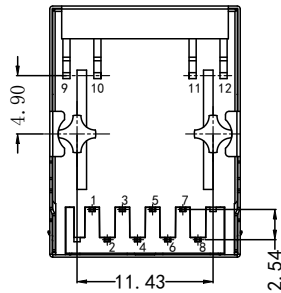
FRONT VIEW



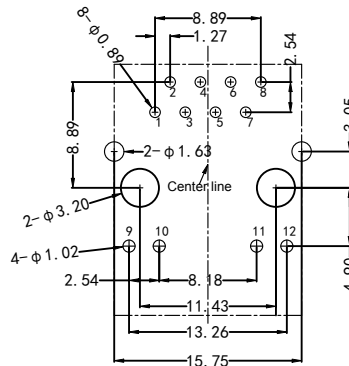
RIGHT SIDE VIEW



BACK VIEW



BOTTOM VIEW



RECOMMENDED PCB LAYOUT
VIEWED FROM COMPONENT SIDE


MATERIAL:

HOUSING : PBT,UL94V-0,BLACK.
TERMINALS BRACKET: PBT,UL94V-0,BLACK.
SHIELD: C2680,T=0.20MM,NICKEL PLATING ON ALL AREA.
TERMINAL: PHOSPHOR BRONZE C5210,T=0.35MM,
6U" GOLD PLATING ON CONTACT AREA.

MECHANICAL:

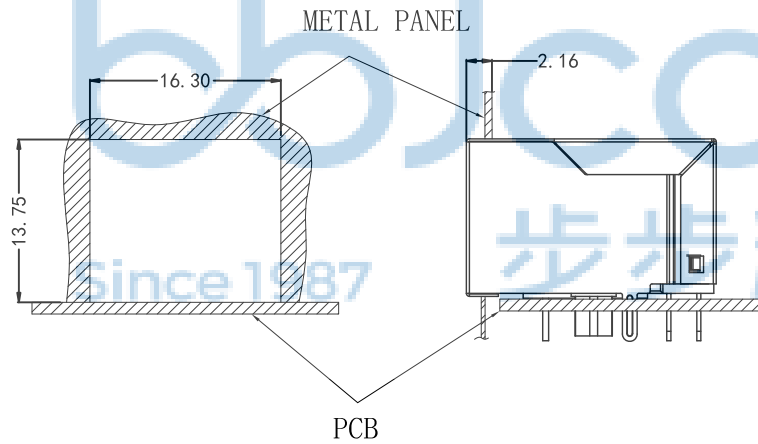
DURABILITY : 750 CYCLES MIN.
MATING FORCE : 23N MAX.
OPERATING TEMPERATURE: -40°C~+85°C.
STORAGE TEMPERATURE: -40°C~+85°C.
ALL CRITICAL DIMENSIONS WITH "*"



| | | | |
|--|----------|---|---|
| THIS DOCUMENT IS THE SOLE PROPERTY OF BBJconn Technology Co.,Ltd. Corporation AND SHOULD NOT BE USED IN WHOLE OR IN PART WITHOUT PRIOR WRITTEN PERMISSION. | |  深圳市步步精科技有限公司 | |
| .X: ±0.38 .XX: ±0.25 .XXX: ±0.13 | | X*: ±3" X*: ±2" XX*: ±1" | |
| APPD. | JM_Zheng | 23/05'02 | NAME: 网络接口 RJ45 90度 1x1 8P8C L=21.10 百兆滤波带灯 左绿右黄 无弹 端子DIP |
| CHKD. | LYX | 23/05'02 | PJ. NO.: RJ.01.21-21-A006 |
| DR. | LHC | 23/05'02 | SIZE: A4 DRW NO.: |
| PDWG. NO: 0521-1 | | FINISH: SEE NOTES MAT'L.: SEE NOTES | |
| | | SCALE: N/A REV.: A3 UNIT: mm PAGE: 1/5 | |

| REV. | ECN NO. | CONTENT | DATE | ENGINEER |
|------|---------|---------|---------------|----------|
| AO | | | 2023 20/04 | |

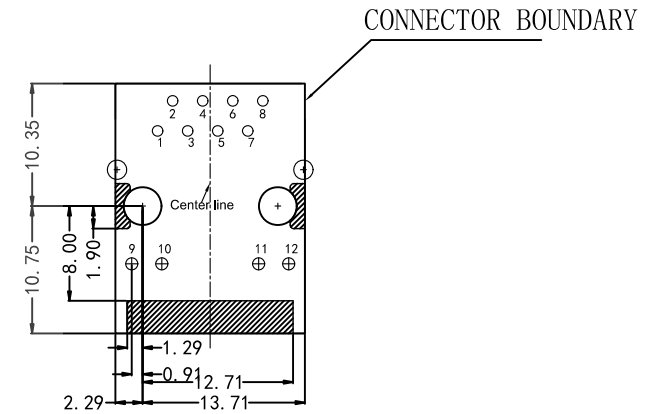
RECOMMENDED PANEL CUTOUT (REFERENCE ONLY):



UNIT: MM / INCH
TOLERANCES: ± 0.10 / 0.004
REFERENCE ONLY



KEEP-OUT AREA (COMPONENT SIDE VIEW):

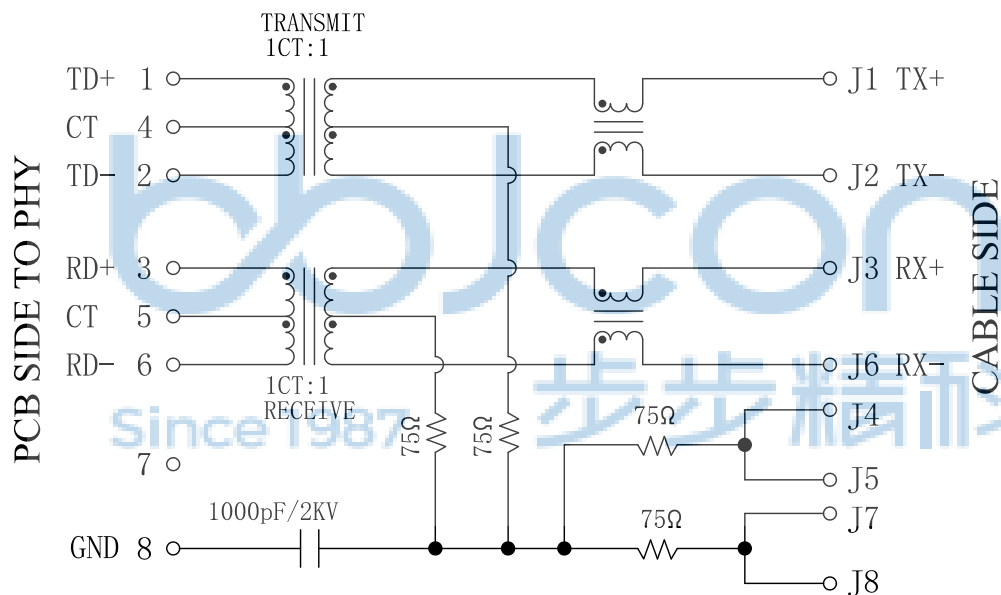


PLUG-IN SIDE

UNIT: MM / INCH
TOLERANCES: ± 0.10 / 0.004

| | | | |
|---|--|---|--|
| THIS DOCUMENT IS THE SOLE PROPERTY OF BBJconn Technology Co., Ltd. Corporation AND SHOULD NOT BE USED IN WHOLE OR IN PART WITHOUT PRIOR WRITTEN PERMISSION. | | 深圳市步步精科技有限公司 | |
| .X: ± 0.38 .XX: ± 0.25 .XXX: ± 0.13 | | .X*: $\pm 3^*$.X*: $\pm 2^*$.XX*: $\pm 1^*$ | |
| APPD. JM_Zheng 23/05'02 | | NAME: 网络接口 RJ45 90度 1x1 8P8C L=21.10 百兆滤波带灯 左绿右黄 无弹 端子DIP | |
| CHKD. LYX 23/05'02 | | PJ. NO.: RJ. 01. 21-21-A006 | |
| DR. LHC 23/05'02 | | SIZE: A4 DRW NO.: | |
| PDWG.NO: 0521-1 | | FINISH: SEE NOTES MAT'L.: SEE NOTES | |
| | | SCALE: N/A REV.: A3 UNIT: mm PAGE: 2/5 | |

| | | | | |
|------|--------|---------|---------------|----------|
| REV. | ECN NO | CONTENT | DATE | ENGINEER |
| A0 | | | 2023 20/04 | |

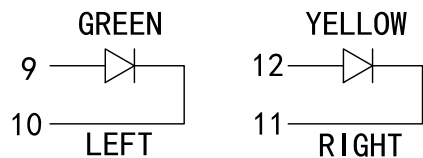


Electrical:

1. Turn ratio: 1~2: J1~J2=1CT:1CT(±2%).
3~6: J3~J6=1CT:1CT(±2%).
2. OCL: 350uH Min. at 100KHz 100mV 8mA DC.
3. Insertion Loss: -1.0 dB Max 1~100MHz.
4. Return loss: -20dB Min 1~10MHz;
-16dB Min 10~30MHz.
-12dB Min 30~60MHz.
-10dB Min 60~80MHz.
5. Cross talk: -40dB Min 1~30MHz;
-35dB Min 30~60MHz;
-30dB Min 60~100MHz;
6. CMR: -30dB Min 1~100MHz;
7. Hi-Pot: 1500V AC & 2250V DC
6S 1mA PRI TO SEC

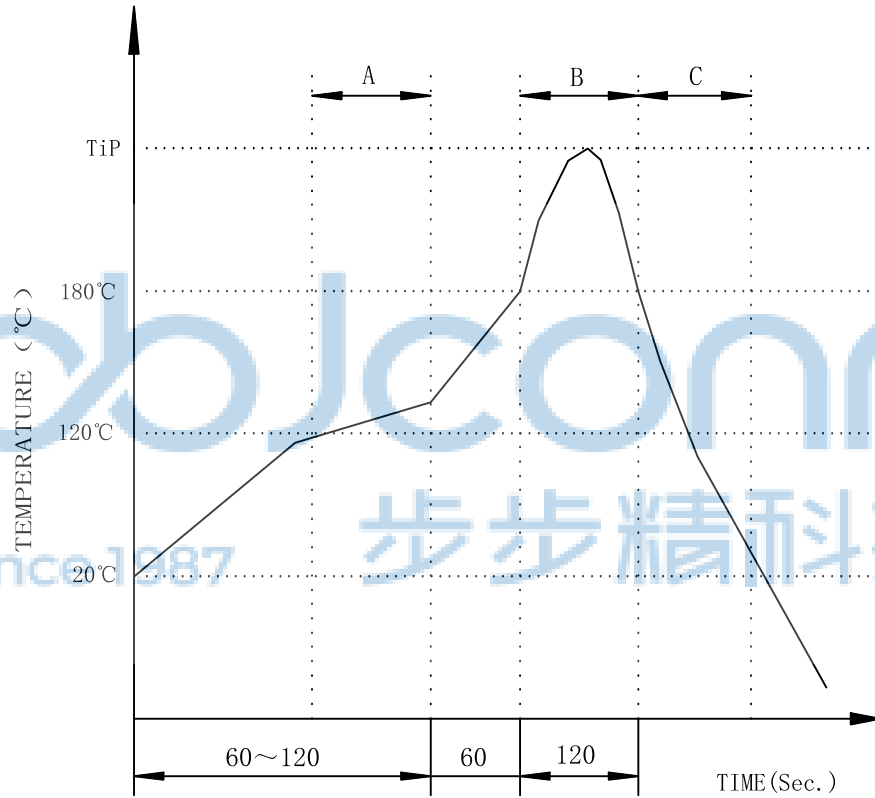
LED Specification

| Standard LED Color | LED Wavelength | Foward(A) | Foward(V) |
|--------------------|----------------|-----------|------------|
| Green | 568nm | 20mA | 1.85-2.45V |
| Yellow | 585nm | 20mA | 1.7-2.2V |



| | | | | | |
|--|--|---------------------------------|---|----------|----------|
| THIS DOCUMENT IS THE SOLE PROPERTY OF BBJconn Technology Co.,Ltd. Corporation AND SHOULD NOT BE USED IN WHOLE OR IN PART WITHOUT PRIOR WRITTEN PERMISSION. PDWG.NO: 0521-1 | 深圳市步步精科技有限公司 | | NAME: 网络接口 RJ45 90度 1x1 8P8C L=21.10 千兆滤波带灯 左绿右黄 无弹 端子DIP | | |
| | .X: ±0.38 .XX: ±0.25 .XXX: ±0.13 | X': ±3' X': ±2' .XX': ±1' | PJ. NO.: RJ. 01. 21-21-A006 | | |
| | APPD. JM_Zheng | 23/05'02 | SIZE: A4 DRW NO.: | | |
| | CHKD. LYX | 23/05'02 | FINISH: SEE NOTES MAT'L.: SEE NOTES | | |
| | DR. LHC | 23/05'02 | SCALE: N/A | REV.: A3 | UNIT: mm |

| REV. | ECN NO. | CONTENT | DATE | ENGINEER |
|------|---------|---------|---------------|----------|
| A0 | | | 2023 20/04 | |



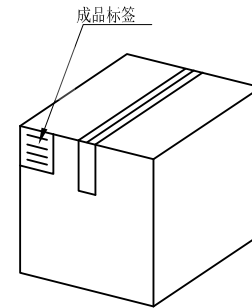
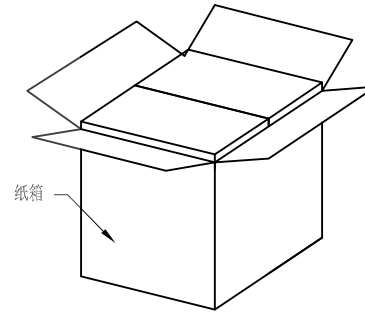
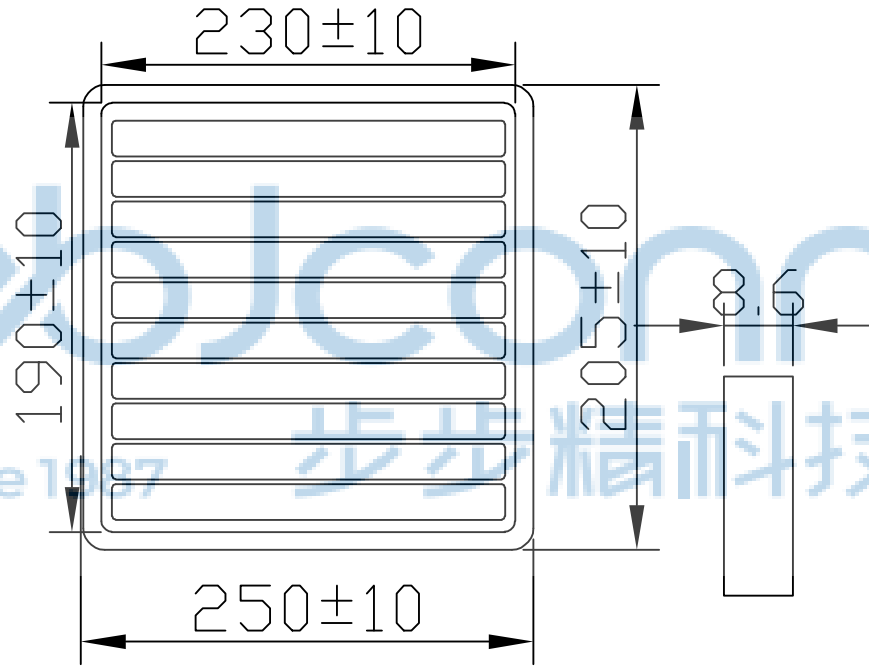
A.Preheating B.Soldering C.Gradual Cooling
Tip temperature:260±5°C.
Tip temperature time:5Sec Max.
Tip melting point of Sn96.5/Ag3/Cu0.5:217°C.

Remarks: after wave soldering, the plastic positioning columns of the product which under the PCB will be slightly melted, but it won't affect its function.



| | | | | | |
|--|---------|---|--|--|--|
| THIS DOCUMENT IS THE SOLE PROPERTY OF BBJconn Technology Co.,Ltd. Corporation AND SHOULD NOT BE USED IN WHOLE OR IN PART WITHOUT PRIOR WRITTEN PERMISSION. | | 深圳市步步精科技有限公司 .X: ±0.38 .X': ±3" .XX: ±0.25 .X': ±2" .XXX: ±0.13 .XX': ±1" | | NAME: 网络接口 RJ45 90度 1x1 8P8C L=21.10 千兆滤波带灯 左绿右黄 无弹 端子DIP PJ. NO.: RJ. 01. 21-21-A006 SIZE: A4 DRW NO.: FINISH: SEE NOTES MAT'L.: SEE NOTES SCALE: N/A REV.: A3 UNIT: mm PAGE: 4/5 | |
| PDWG.NO: 0521-1 | DR. LHC | 23/05'02 | | | |

| REV. | ECN NO. | CONTENT | DATE | ENGINEER |
|------|---------|---------|---------------|----------|
| A0 | | | 2023 20/04 | |



纸箱规格: 350*210*290



1. 包装要求:

- 1.1 每盒吸塑盒包装 120pcs;
- 1.2 每 9 盘放一箱, 共计 1080PCS;
- 1.3 纸箱外贴上标签



| | | | |
|--|-------------------|---|-----------------------------|
| THIS DOCUMENT IS THE SOLE PROPERTY OF BBJconn Technology Co.,Ltd. | | 深圳市步步精科技有限公司 | |
| CORPORATION AND SHOULD NOT BE USED IN WHOLE OR IN PART WITHOUT PRIOR WRITTEN PERMISSION. | | NAME: 网络接口 RJ45 90度 1x1 8P8C L=21.10 百兆滤波带灯 左绿右黄 无弹 端子DIP | |
| APPD. | JM_Zheng 23/05'02 | PJ. NO.: RJ.01.21-21-A006 | |
| CHKD. | LYX 23/05'02 | SIZE: A4 DRW NO.: | |
| DR. | LHC 23/05'02 | FINISH: SEE NOTES MAT'L.: SEE NOTES | |
| PDWG.NO: 0521-1 | | SCALE: N/A | REV.: A3 UNIT: mm PAGE: 5/5 |