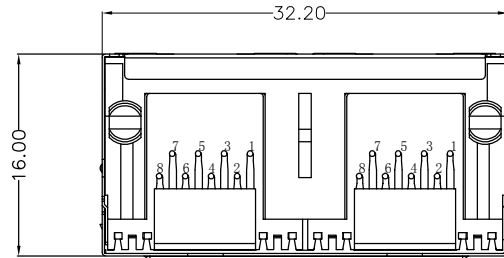
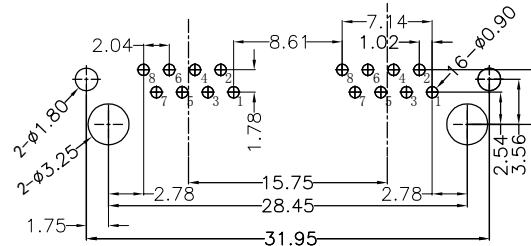


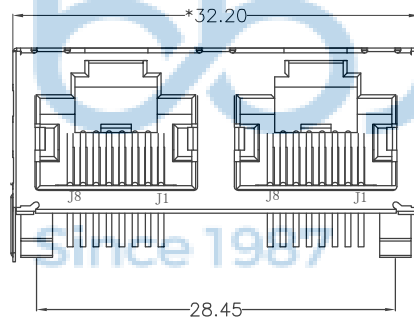
| REV. | ECN NO | CONTENT | DATE | ENGINEER |
|------|--------|-----------------|------|----------|
| A0 | | Initial release | / | SGF |



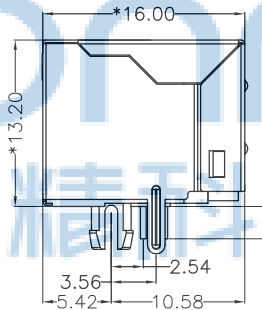
BOTTOM VIEW



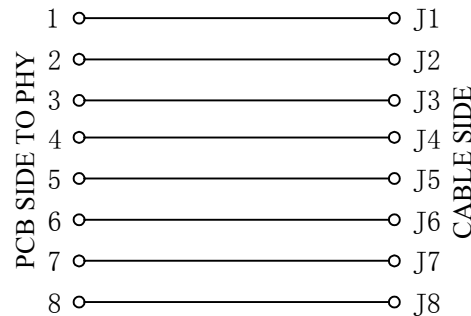
RECOMMENDED PCB LAYOUT
VIEWED FROM COMPONENT SIDE



FRONT VIEW



RIGHT SIDE VIEW



MATERIAL:

HOUSING: PA46V-0, BLACK.
TERMINAL: PHOSPHOR BRONZE $\varnothing=0.46\text{MM}$, G/FU" GOLD PLATING
SHIELD: C2680, T=0.20MM, 20U" MIN NICKEL PLATING
ON ALL AREA.


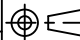
MACHANICAL:

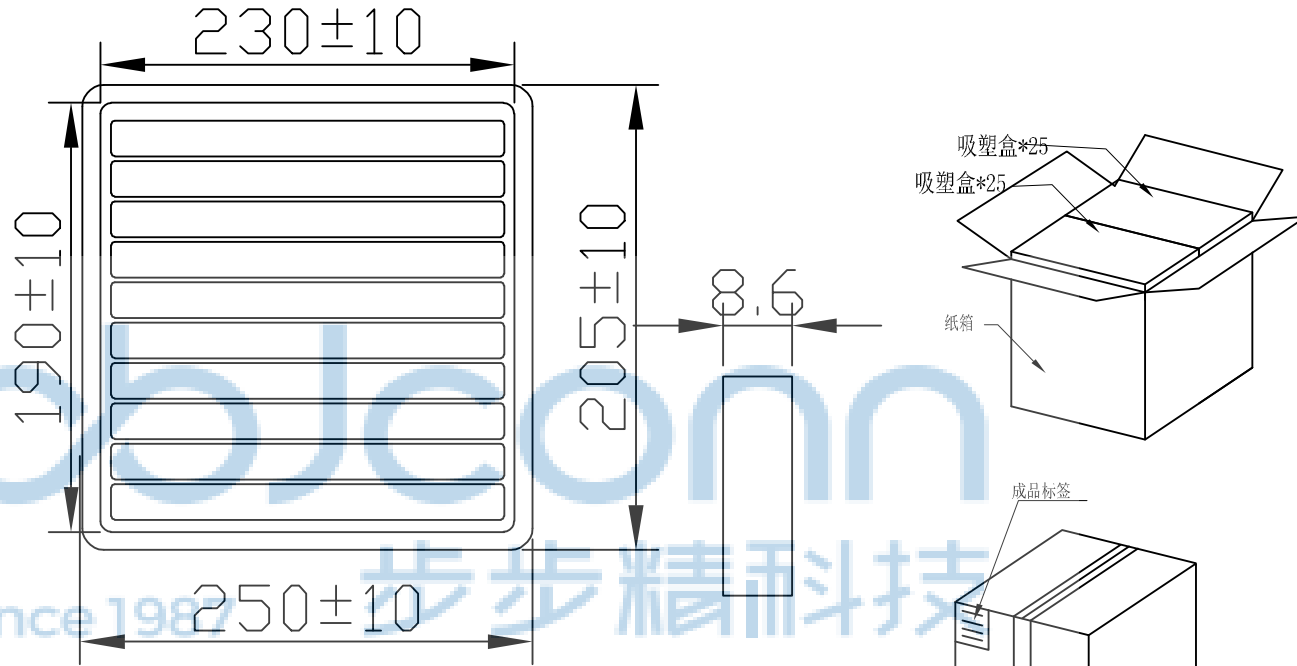
DURABILITY: 750 CYCLES MIN, 12.5MM/MINUTE.
INSERTION FORCE: 2.2KG.F MAX.
RETENTION STRENGTH : 7.7KG.F BETWEEN JACK AND PLUG.
OPERATING TEMPERATURE: $-40^{\circ}\text{C} \sim +85^{\circ}\text{C}$.
STORAGE TEMPERATURE: $-40^{\circ}\text{C} \sim +85^{\circ}\text{C}$.
ALL CRITICAL DIMENSIONS WITH "*"

ELECTRICAL:

VOLTAGE: 125 VOLTS AC.
CURRENT RATING : 1.5AMP.
DIELECTRIC STRENGTH: 1000 VAC RMS 50HZ OR 60HZ, 1 MIN.
INSULATION RESISTANCE: 500 MEGA OHMS MIN. INITIAL
AFTER 500V DC FOR 1 MINUTE.
CONTACT RESISTANCE: SINGLE TERMINAL 30 MILLIOHMS MAX
INITIAL 50 MILLIOHMS MAX. AFTER
DURABILITY TEST.



| | | | |
|--|----------|--|--|
| THIS DOCUMENT IS THE SOLE PROPERTY OF BBJconn Technology Co.,Ltd. Corporation AND SHOULD NOT BE USED IN WHOLE OR IN PART WITHOUT PRIOR WRITTEN PERMISSION. | |  深圳市步步精科技有限公司 | |
| .X: ± 0.38 .XX: ± 0.25 .XXX: ± 0.13 X': $\pm 3'$ X'': $\pm 2'$ XX': $\pm 1'$ | | NAME: 网络接口 RJ45 8P8C 1x2 90度 L=16.00 H=13.20 直通 带屏蔽 无灯 无弹 端子DIP | |
| APPD. | JM_Zheng |  PJ. NO.: RJ. 01. 22-12-A001 SIZE: A4 DRW NO.: | FINISH: SEE NOTES MAT'L.: SEE NOTES |
| CHKD. | LYX | | |
| PDWG. NO: | 0521-1 | DR. | SGF |
| | | SCALE: N/A | REV.: A0 |
| | | UNIT: mm | PAGE: 1/2 |



1. 包装要求:

- 1.1 每盒吸塑盒包装 40 pcs;
- 1.2 每50盘放一箱, 共计2000PCS;
- 1.3 纸箱外贴上标签

纸箱规格: 350*210*290



| | | | | | |
|--|----------|---|-----|--|--|
| THIS DOCUMENT IS THE SOLE PROPERTY OF BBJconn Technology Co.,Ltd. Corporation AND SHOULD NOT BE USED IN WHOLE OR IN PART WITHOUT PRIOR WRITTEN PERMISSION. | | 深圳市步步精科技有限公司 .X: ±0.38 .XX: ±0.25 .XXX: ±0.13 X': ±3" X'': ±2" XX': ±1" | | NAME: 网络接口 RJ45 8P8C 1x2 90度 L=16.00 H=13.20 直通 带屏蔽 无灯 无弹 端子DIP | |
| APPD. | JM_Zheng | PJ. NO.: RJ.01.22-12-A001 | | SIZE: A4 DRW NO.: | |
| CHKD. | LYX | FINISH: SEE NOTES MAT'L.: SEE NOTES | | SCALE: N/A REV.: A0 UNIT: mm PAGE: 2/2 | |
| PDWG.NO: | 0521-1 | DR. | SGF | | |