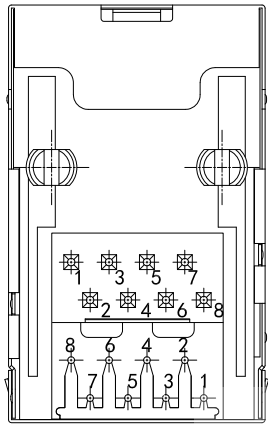
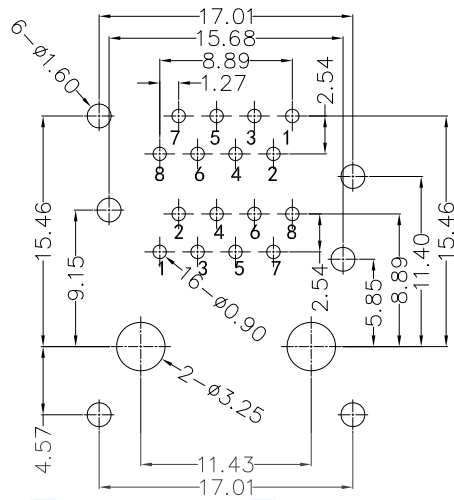


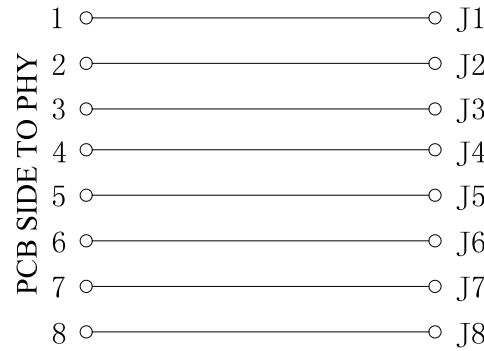
REV.	ECN NO.	CONTENT	DATE	ENGINEER
A0		Initial release	/	SGF



BOTTOM VIEW



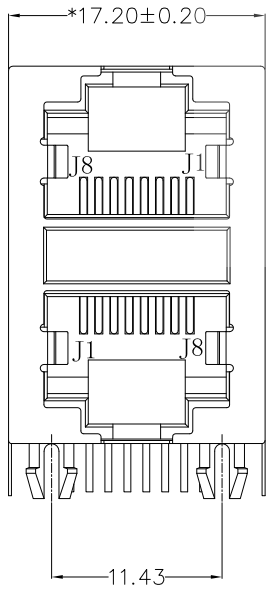
RECOMMENDED PCB LAYOUT
VIEWED FROM COMPONENT SIDE



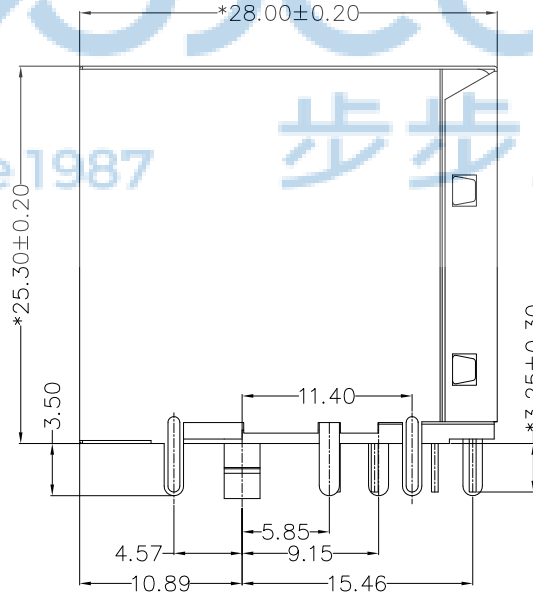
MATERIAL:
HOUSING: PBT, UL94V-0, BLACK.
TERMINAL: PHOSPHOR BRONZE $\phi=0.46\text{MM}$, G/FU" GOLD PLATING.
SHIELD: C2680, T=0.20MM, 20 MIN NICKEL PLATING ON ALL AREA.

MACHANICAL:
DURABILITY: 750 CYCLES MIN, 12.5MM/MINUTE.
INSERTION FORCE: 2.2KG.F MAX.
RETENTION STRENGTH: 7.7KG.F BETWEEN JACK AND PLUG.
OPERATING TEMPERATURE: $-40^{\circ}\text{C}\sim+85^{\circ}\text{C}$.
STORAGE TEMPERATURE: $-40^{\circ}\text{C}\sim+85^{\circ}\text{C}$.
ALL CRITICAL DIMENSIONS WITH "*"

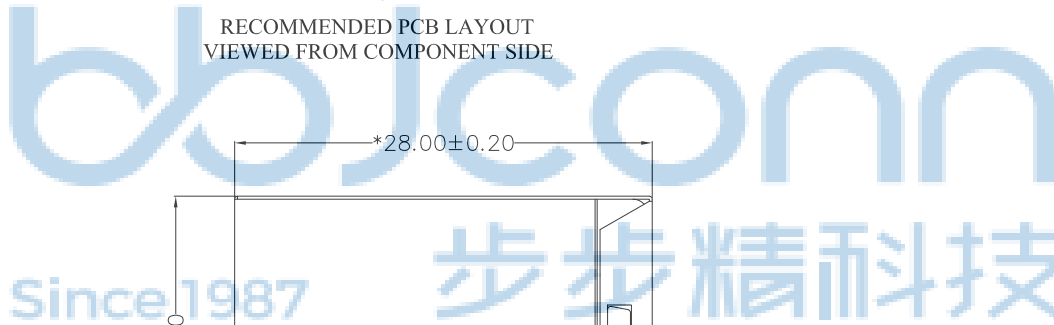
ELECTRICAL:
VOLTAGE: 125 VOLTS AC.
CURRENT RATING: 1.5AMP.
DIELECTRIC STRENGTH: 1000 VAC RMS 50HZ OR 60HZ, 1MIN.
INSULATION RESISTANCE: 500 MEGA OHMS MIN. INITIAL AFTER 500V DC FOR 1 MINUTE.
CONTACT RESISTANCE: SINGLE TERMINAL 30 MILLIOHMS MAX. INITIAL 50 MILLIOHMS MAX. AFTER DURABILITY TEST.



FRONT VIEW

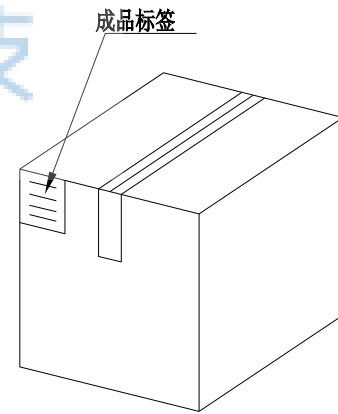
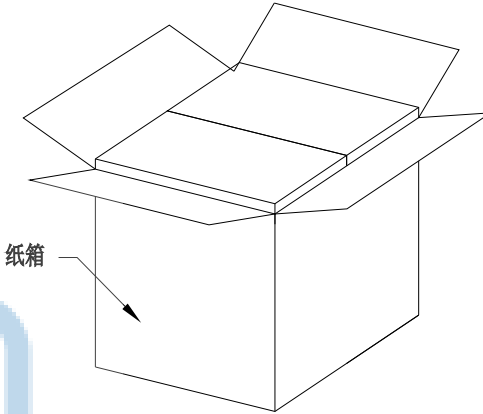
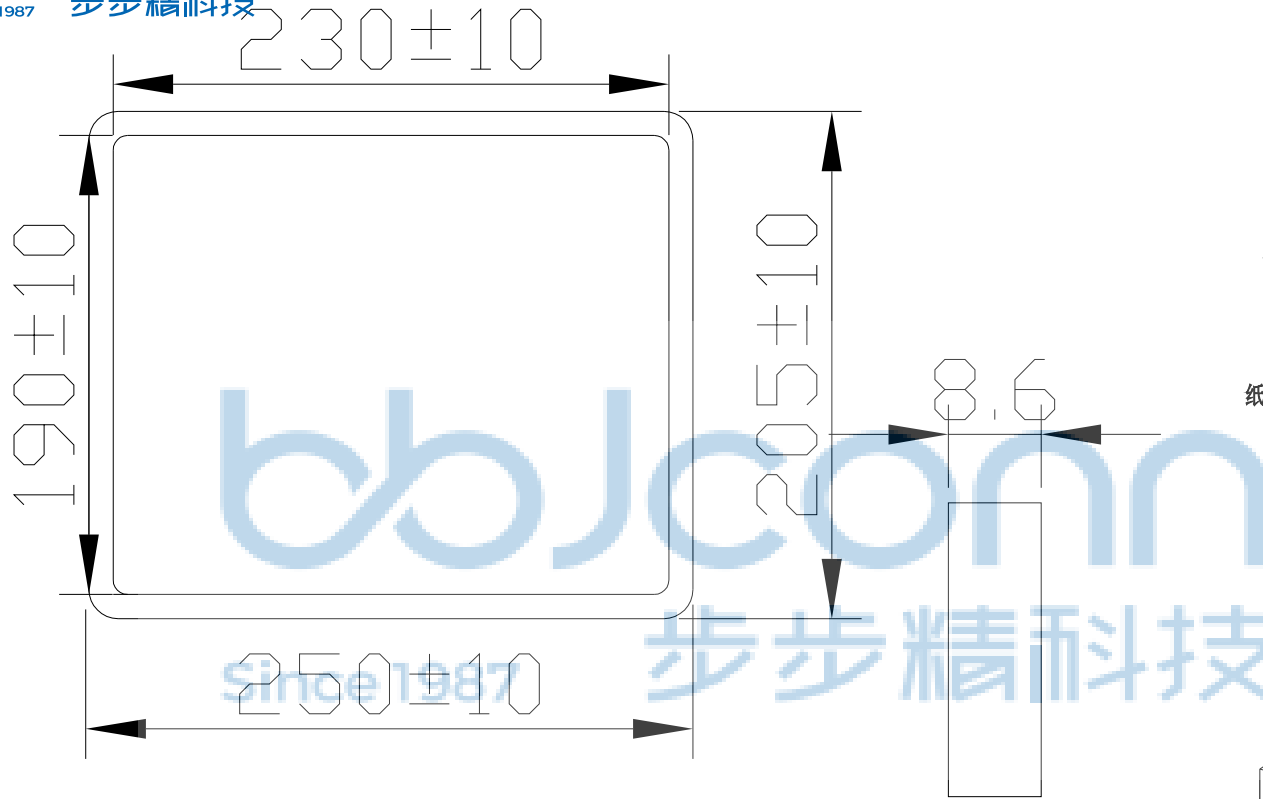


RIGHT SIDE VIEW



THIS DOCUMENT IS THE SOLE PROPERTY OF BBJconn Technology Co., Ltd. Corporation AND SHOULD NOT BE USED IN WHOLE OR IN PART WITHOUT PRIOR WRITTEN PERMISSION.		深圳市步步精科技有限公司		NAME: 网络接口 RJ45 5921 90度 2x1 8P8C L=28.0 无灯 无弹 全包	
PDWG.NO: 0521-1		DR. SGF		PJ. NO.: RJ.01.22-12-A004	
APPD. JM_Zheng		CHKD. LYX		SIZE: A4 DRW NO.:	
				FINISH: SEE NOTES MAT'L.: SEE NOTES	
				SCALE: N/A REV.: A0 UNIT: mm PAGE: 1/2	

REV.	ECN NO	CONTENT	DATE	ENGINEER
A0		Initial release	/	SGF



1. 包装要求:
- 1.1 每盒吸塑盒包装30pcs;
 - 1.2 每32盘放一箱, 共计960 PCS;
 - 1.3 纸箱外贴上标签



纸箱规格: 350*210*290

THIS DOCUMENT IS THE SOLE PROPERTY OF BBJconn Technology Co.,Ltd. Corporation AND SHOULD NOT BE USED IN WHOLE OR IN PART WITHOUT PRIOR WRITTEN PERMISSION.		深圳市步步精科技有限公司 .X: ±0.38 .X': ±3" .XX: ±0.25 .X": ±2" .XXX: ±0.13 .XX': ±1"		NAME: 网络接口 RJ45 5921 90度 2x1 8P8C L=28.0 无灯 无弹 全包	
APPD.	JM_Zheng	PJ. NO.: RJ.01.22-12-A004		SIZE: A4 DRW NO.:	
CHKD.	LYX	FINISH: SEE NOTES		MAT'L.: SEE NOTES	
PDWG.NO:	0521-1	DR.	SGF	SCALE: N/A	REV.: A0
				UNIT: mm	PAGE: 2/2