

MATERIAL:

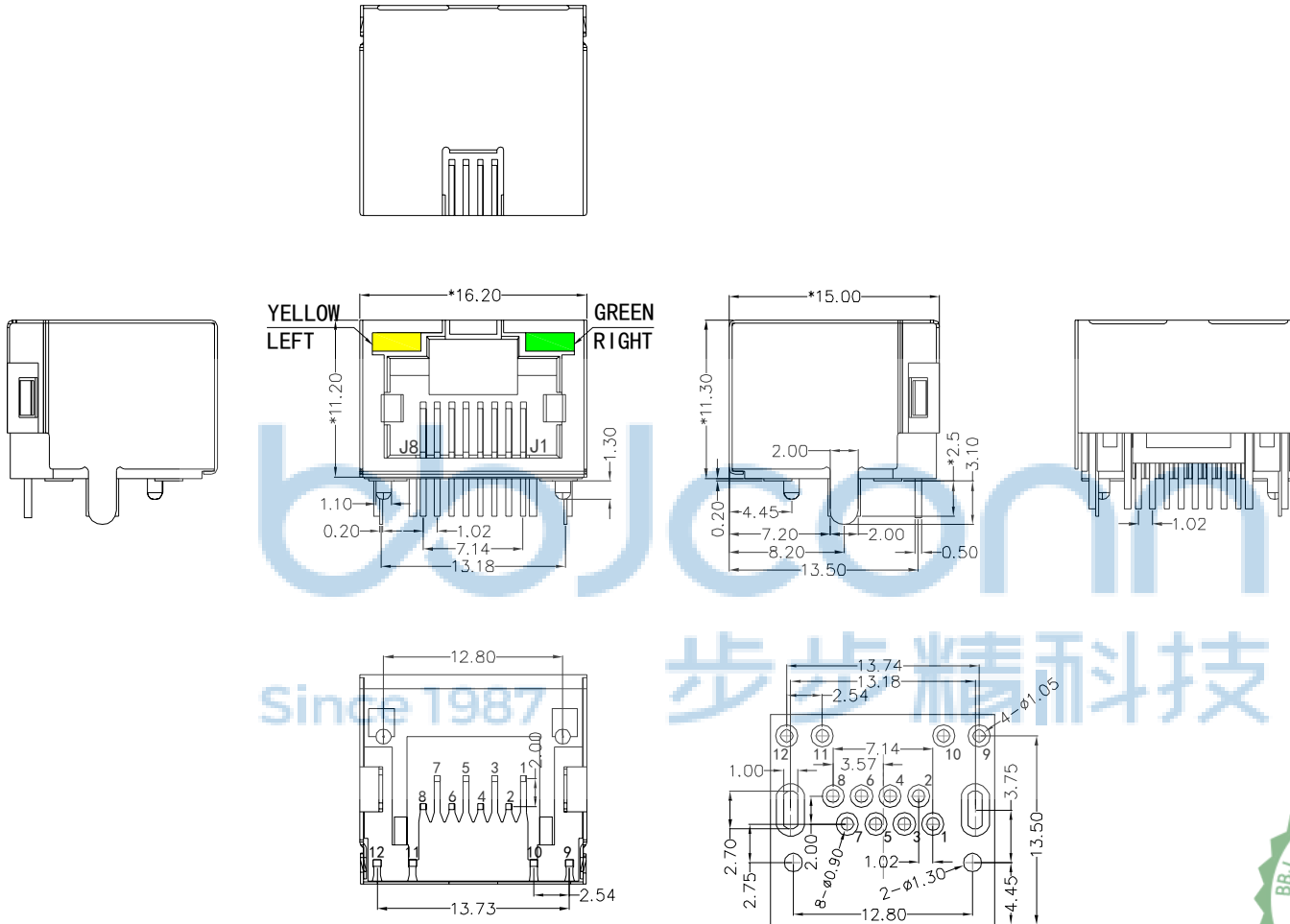
HOUSING: LCP,UL94V-0,BLACK.
 TERMINAL: PHOSPHOR BRONZE Ø=0.46MM, G/FU" GOLD PLATING.
 SHIELD: C2680,T=0.20MM,20 MIN NICKEL PLATING
 ON ALL AREA.

MACHANICAL:

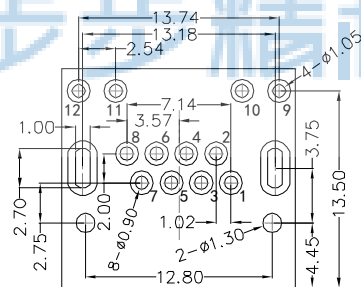
DURABILITY: 750 CYCLES MIN,12.5MM/MINUTE.
 INSERTION FORCE: 2.2KG.F MAX.
 RETENTION STRENGTH : 7.7KG.F BETWEEN JACK AND PLUG.
 OPERATING TEMPERATURE: -40°C~+85°C.
 STORAGE TEMPERATURE: -40°C~+85°C.
 ALL CRITICAL DIMENSIONS WITH "*"

ELECTRICAL:

VOLTAGE: 125 VOLTS AC.
 CURRENT RATING : 1.5AMP.
 DIELECTRIC STRENGTH: 1000 VAC RMS 50HZ OR 60HZ,1MIN.
 INSULATION RESISTANCE: 500 MEGA OHMS MIN. INITIAL
 AFTER 500V DC FOR 1 MINUTE.
 CONTACT RESISTANCE: SINGLE TERMINAL 30 MILLIOHMS MAX.
 INITIAL 50 MILLIOHMS MAX. AFTER
 DURABILITY TEST.

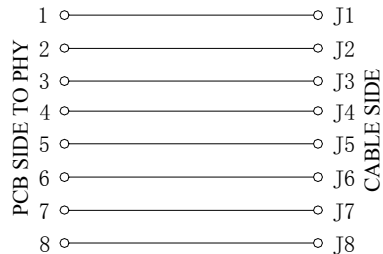
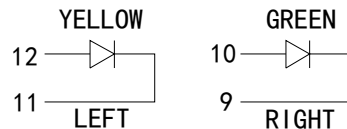


RECOMMENDED PCB LAYOUT
 VIEWED FROM COMPONENT SIDE



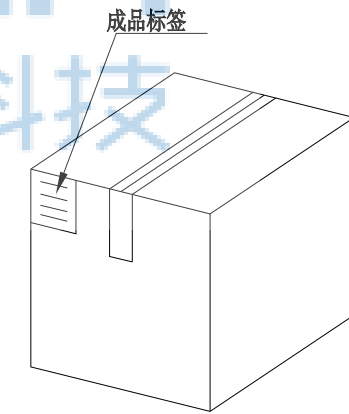
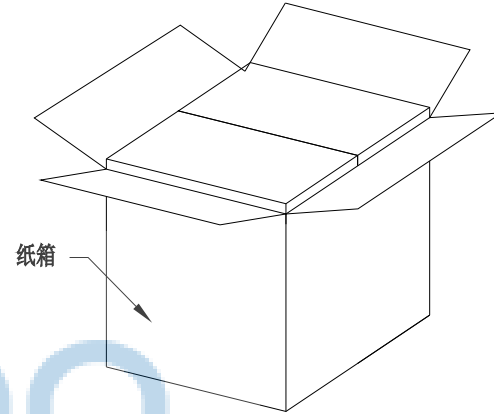
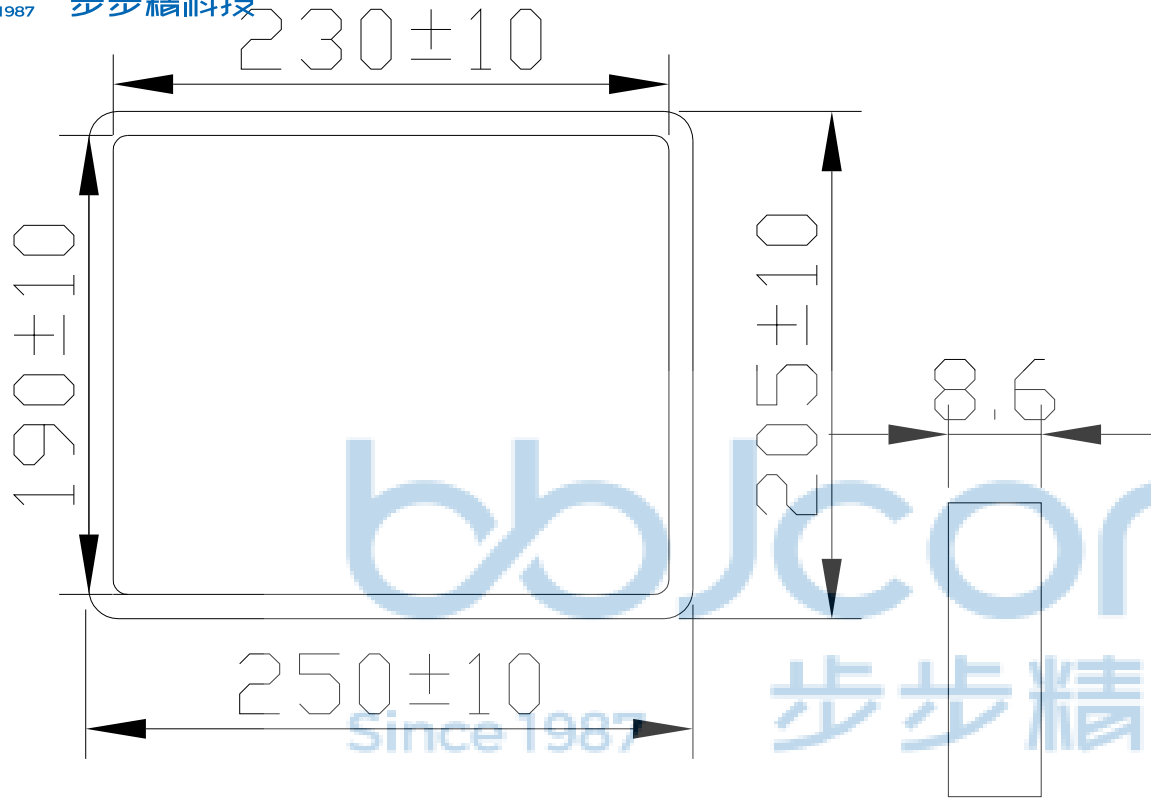
LED Specification

Standard LED Color	LED Wavelength	Foward(A)	Foward(V)
Green	568nm	20mA	1.85-2.45V
Yellow	585nm	20mA	1.7-2.2V



THIS DOCUMENT IS THE SOLE PROPERTY OF BBJconn Technology Co.,Ltd. Corporation AND SHOULD NOT BE USED IN WHOLE OR IN PART WITHOUT PRIOR WRITTEN PERMISSION.	深圳市步步精科技有限公司		NAME: 网络接口 RJ45 90度 L=15.0 1x1 8P8C 带灯 左黄右绿 无弹 带柱 DIP	
	.X: ±0.38 X': ±3' .XX: ±0.25 .X': ±2' .XXX: ±0.13 .XX': ±1'		APPD. JM_Zheng PJ. NO.: RJ.01.22-21-A004 SIZE: A4 DRW NO.:	
	PDWG.NO: 0521-1 DR. SGF		FINISH: SEE NOTES MAT'L.: SEE NOTES SCALE: N/A REV.: A0 UNIT: mm PAGE: 1/2	
	CHKD. LYX		PRIOR WRITTEN PERMISSION.	

REV.	ECN NO	CONTENT	DATE	ENGINEER
A0		Initial release	/	SGF



1. 包装要求:
- 1.1 每盒吸塑盒包装150pcs;
 - 1.2 每12盒放一箱, 共计1800PCS;
 - 1.3 纸箱外贴上标签

纸箱规格: 350*210*290

THIS DOCUMENT IS THE SOLE PROPERTY OF BBJconn Technology Co.,Ltd. Corporation AND SHOULD NOT BE USED IN WHOLE OR IN PART WITHOUT PRIOR WRITTEN PERMISSION.		深圳市步步精科技有限公司 .X: ± 0.38 .X': $\pm 3'$.XX: ± 0.25 .X': $\pm 2'$.XXX: ± 0.13 .XX': $\pm 1'$		NAME: 网络接口 RJ45 90度 L=15.0 1x1 8P8C 带灯 左黄右绿 无弹 带柱 DIP	
APPD.	JM_Zheng	PJ. NO.: RJ.01.22-21-A004 SIZE: A4 DRW NO.:		FINISH: SEE NOTES MAT'L.: SEE NOTES	
CHKD.	LYX	SCALE: N/A		REV.: A0	UNIT: mm
PDWG.NO:	0521-1	DR.	SGF	PAGE: 2/2	