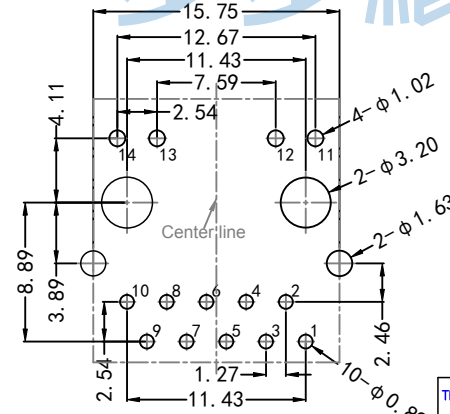
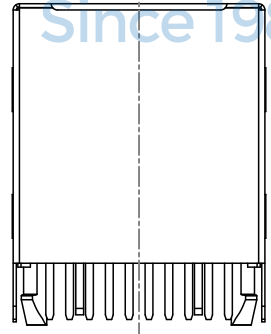
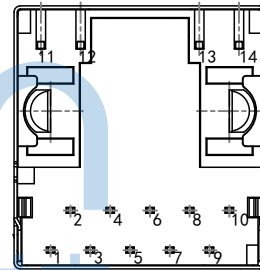
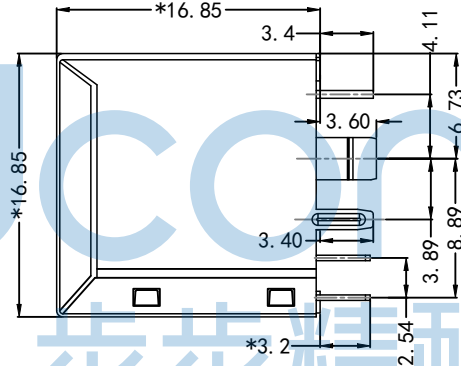
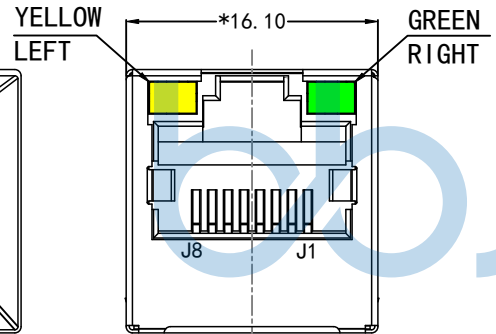
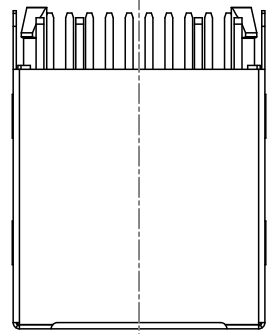


REV.	ECN NO.	CONTENT	DATE	ENGINEER
A0		Initial release	/	TSP



MATERIAL:
HOUSING: PBT,UL94V-0,BLACK.
TERMINALS BRACKET: PBT,UL94V-0,BLACK.
SHIELD: C2680,T=0.20MM,NICKEL PLATING ON ALL AREA.
TERMINAL: PHOSPHOR BRONZE C5210,T=0.35MM,
6U" GOLD PLATING ON CONTACT AREA.

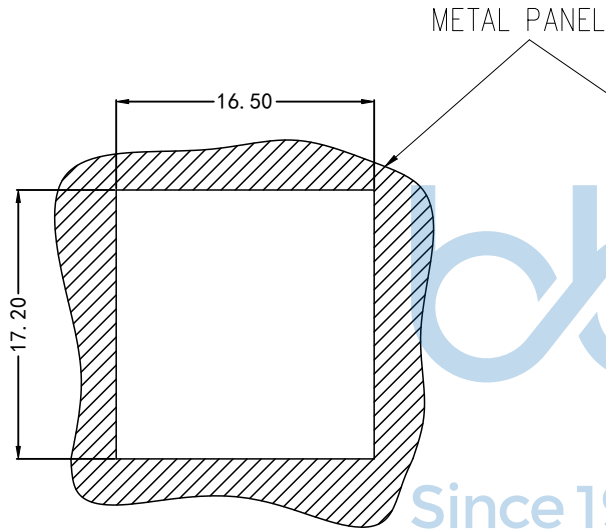
MECHANICAL:
DURABILITY: 750 CYCLES MIN.
MATING FORCE: 23N MAX.
OPERATING TEMPERATURE: -40°C~+85°C.
STORAGE TEMPERATURE: -40°C~+85°C.
ALL CRITICAL DIMENSIONS WITH "**"



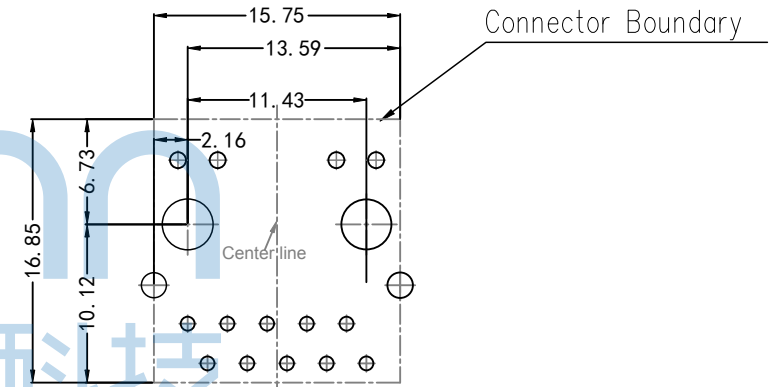
THIS DOCUMENT IS THE SOLE PROPERTY OF BBJconn Technology Co.,Ltd. Corporation AND SHOULD NOT BE USED IN WHOLE OR IN PART WITHOUT PRIOR WRITTEN PERMISSION.		深圳市步步精科技有限公司	
.X: ±0.38 .XX: ±0.25 .XXX: ±0.13		X': ±3" X'': ±2" X'X': ±1"	
APPD.	JM_Zheng	NAME: 网络接口 RJ45 10P10C 1x1 180度 H=16.85 带灯 左黄右绿 无弹 带千兆滤波 全包 DIP	
CHKD.	LYX	PJ. NO.: RJ.02.21-21-A003 SIZE: A4 DRW NO.:	
PDWG.NO:	0521-1	FINISH: SEE NOTES MAT'L.: SEE NOTES	
DR.	TSP	SCALE: N/A	REV.: A0 UNIT: mm PAGE: 1/5

REV.	ECN NO	CONTENT	DATE	ENGINEER
A0		Initial release	/	TSP

Suggested Panel Opening:



Keep-Out Area (Component Side View):

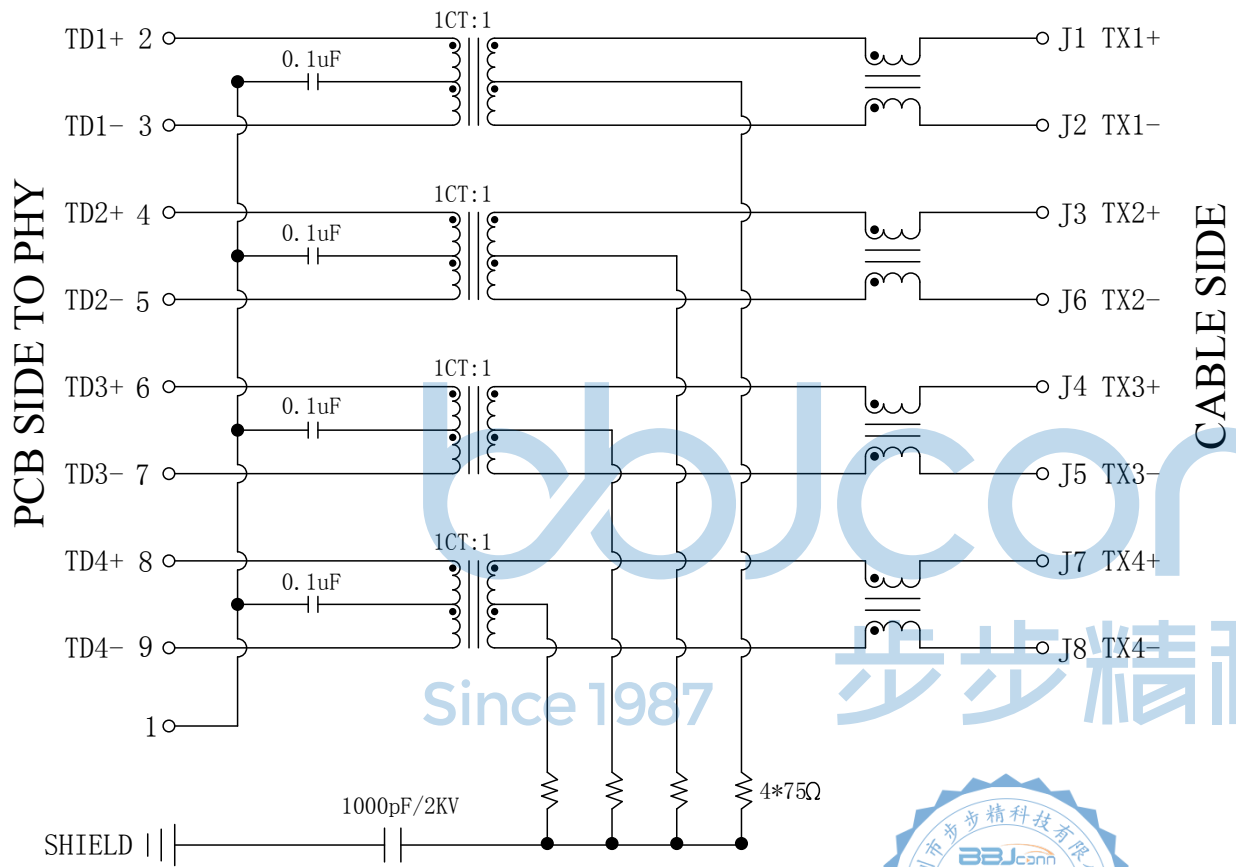


UNIT: mm / inch
Tolerances: ± 0.10 / 0.004

UNIT: mm / inch
Tolerances: ± 0.10 / 0.004



THIS DOCUMENT IS THE SOLE PROPERTY OF BBJconn Technology Co.,Ltd. Corporation AND SHOULD NOT BE USED IN WHOLE OR IN PART WITHOUT PRIOR WRITTEN PERMISSION.				NAME: 网络接口 RJ45 10P10C 1x1 180度 H=16.85 带灯 左黄右绿 无弹 带千兆滤波 全包 DIP	
.X: ± 0.38 .XX: ± 0.25 .XXX: ± 0.13		X': $\pm 3'$.X': $\pm 2'$.XX': $\pm 1'$		P.J. NO.: RJ.02.21-21-A003 SIZE: A4 DRW NO.:	
PDWG.NO: 0521-1		DR. TSP		FINISH: SEE NOTES MAT'L.: SEE NOTES SCALE: N/A REV.: A0 UNIT: mm PAGE: 2/5	



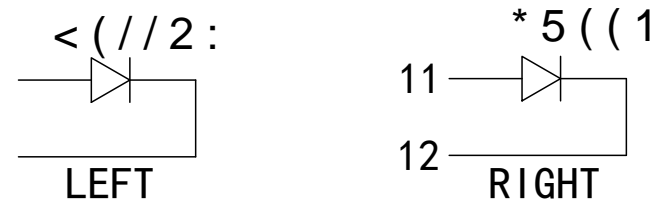
Electrical:

- Turn ratio: 2~3: J1~J2=1CT:1CT(±2%).
4~5: J3~J6=1CT:1CT(±2%).
6~7: J4~J5=1CT:1CT(±2%).
8~9: J7~J8=1CT:1CT(±2%).
- OCL: 350uH Min. at 100KHz 100mV 8mA DC.
- Insertion Loss: -1.0 dB Max 1~100MHz.
- Return loss: -18dB Min 1~30MHz;
-14dB Min 30~60MHz;
-12dB Min 60~80MHz;
-10dB Min 80~100MHz.
- Cross talk: -40dB Min 1~30MHz;
-35dB Min 30~60MHz;
-30dB Min 60~100MHz;
- CMR: -30dB Min 1~100MHz;
- Hi-Pot: 2250V DC 6S 1mA PRI TO SEC



LED Specification

Standard LED Color	LED Wavelength	Foward(A)	Foward(V)
Green	568nm	20mA	1.85-2.45V
Yellow	585nm	20mA	1.7-2.2V



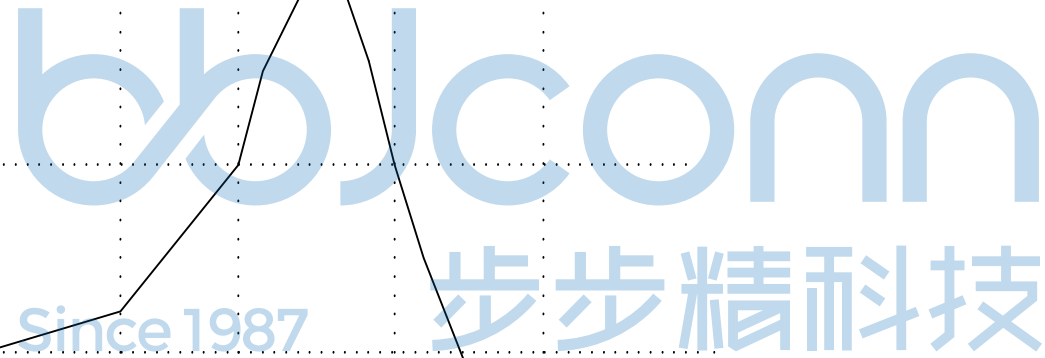
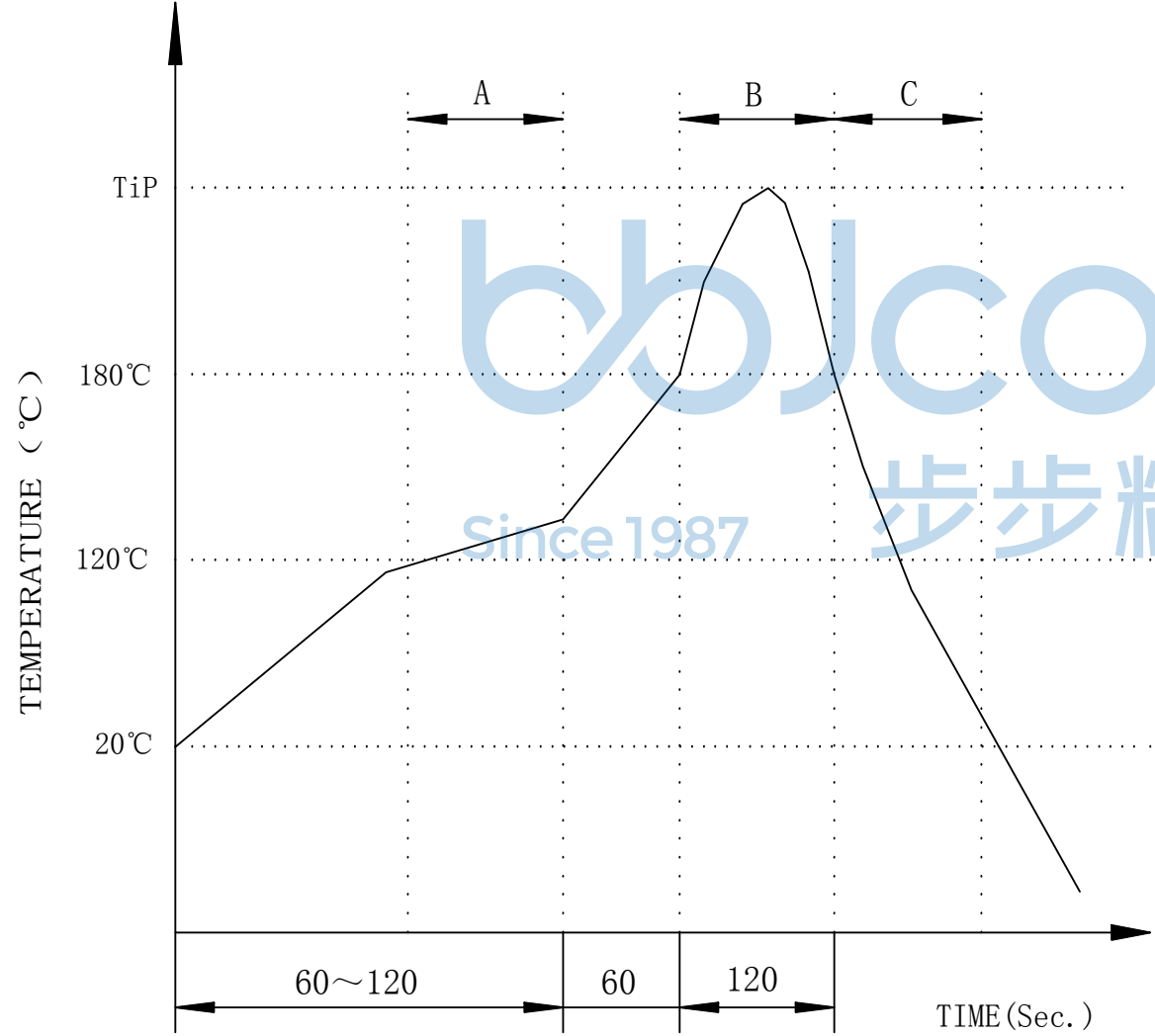
THIS DOCUMENT IS THE SOLE PROPERTY OF BBJconn Technology Co.,Ltd. Corporation AND SHOULD NOT BE USED IN WHOLE OR IN PART WITHOUT PRIOR WRITTEN PERMISSION. PDWG.NO: 0521-1	深圳市步步精科技有限公司		NAME: 网络接口 RJ45 10P10C 1x1 180度 H=16.85 带灯 左黄右绿 无弹 带千兆滤波 全包 DIP	
	.X: ±0.38 .XX: ±0.25 .XXX: ±0.13	X*: ±3" .X*: ±2" .XX*: ±1"	PJ. NO.: RJ.02.21-21-A003	SIZE: A4 DRW NO.:
	APPD. JM_Zheng	CHKD. LYX	FINISH: SEE NOTES	MAT'L.: SEE NOTES
	DR. TSP	SCALE: N/A	REV.: A0	UNIT: mm PAGE: 3/5

REV.	ECN NO.	CONTENT	DATE	ENGINEER
A0		Initial release	/	TSP

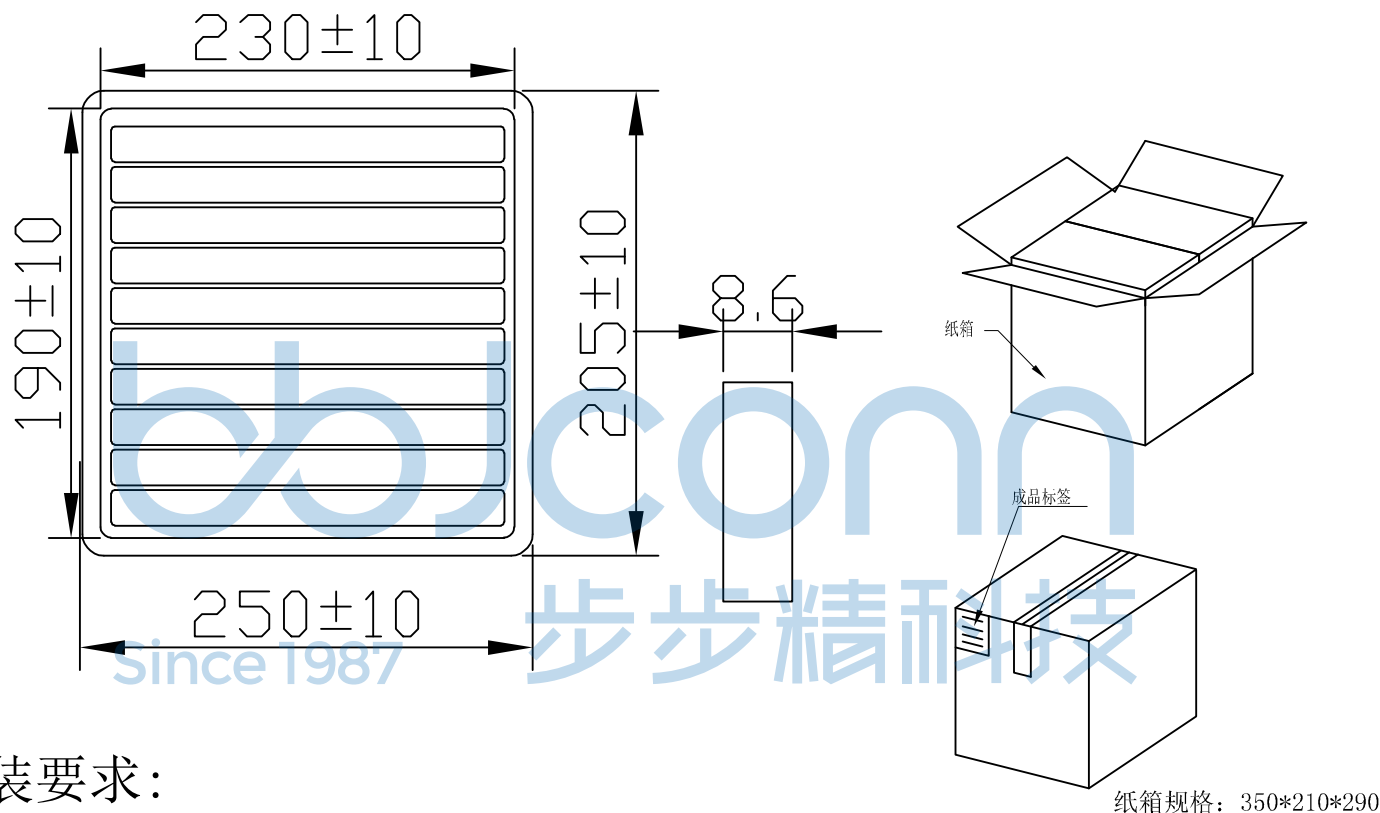
352), / (2) : \$ 9 (6 2 / ' (5

\$ 3UHKHDWLQJ % 6ROGHULQJ & *UD
7LS WHPHUDWXUH " f &
7LS WHPHUDWXUH WLPH 6HF 0D[
7LS PHOWLQJ SRLQW RI 6Q \$J & X

Remarks: after wave soldering, the plastic positioning columns of the product which under the PCB will be slightly melted, but it won't affect its function.



THIS DOCUMENT IS THE SOLE PROPERTY OF BBJconn Technology Co., Ltd. Corporation AND SHOULD NOT BE USED IN WHOLE OR IN PART WITHOUT PRIOR WRITTEN PERMISSION.		深圳市步步精科技有限公司	
.X: ±0.38 .XX: ±0.25 .XXX: ±0.13		X': ±3' .X': ±2' .XX': ±1'	
APPD.	JM_Zheng	NAME: 网络接口 RJ45 10P10C 1x1 180度 H=16.85 带灯 左黄右绿 无弹 带千兆滤波 全包 DIP	
CHKD.	LYX	PJ. NO.: RJ.02.21-21-A003	
DR.	TSP	SIZE: A4 DRW NO.:	
PDWG.NO: 0521-1		FINISH: SEE NOTES MAT'L.: SEE NOTES	
		SCALE: N/A REV.: A0 UNIT: mm PAGE: 4/5	



1. 包装要求:

- 1.1 每盒吸塑盒包装120pcs;
- 1.2 每9盘放一箱, 共计1080PCS;
- 1.3 纸箱外贴上标签。

THIS DOCUMENT IS THE SOLE PROPERTY OF BBJconn Technology Co.,Ltd. Corporation AND SHOULD NOT BE USED IN WHOLE OR IN PART WITHOUT PRIOR WRITTEN PERMISSION.		深圳市步步精科技有限公司	
PDWG.NO: 0521-1		.X: ±0.38 .XX: ±0.25 .XXX: ±0.13	X*: ±3" .X*: ±2" .XX*: ±1"
APPD.	JM_Zheng	NAME: 网络接口 RJ45 10P10C 1x1 180度 H=16.85 带灯 左黄右绿 无弹 带千兆滤波 全包 DIP	
CHKD.	LYX	PJ. NO.: RJ.02.21-21-A003	
DR.	TSP	SIZE: A4 DRW NO.:	
		FINISH: SEE NOTES MAT'L.: SEE NOTES	
		SCALE: N/A REV.: A0 UNIT: mm PAGE: 5/5	