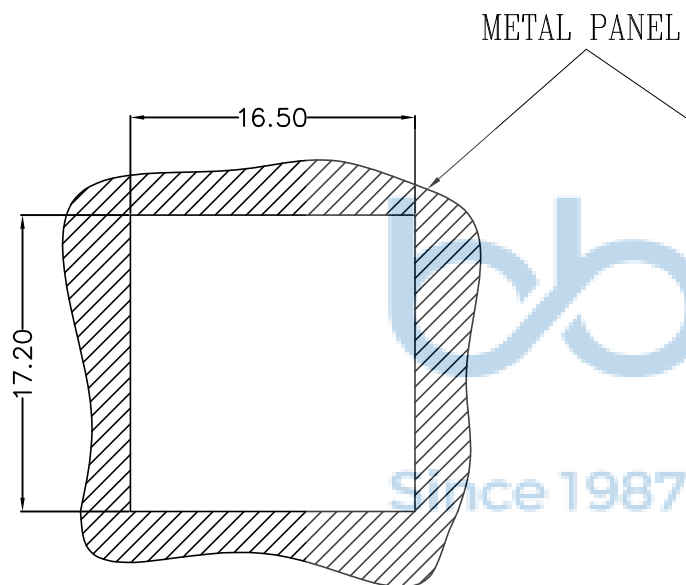
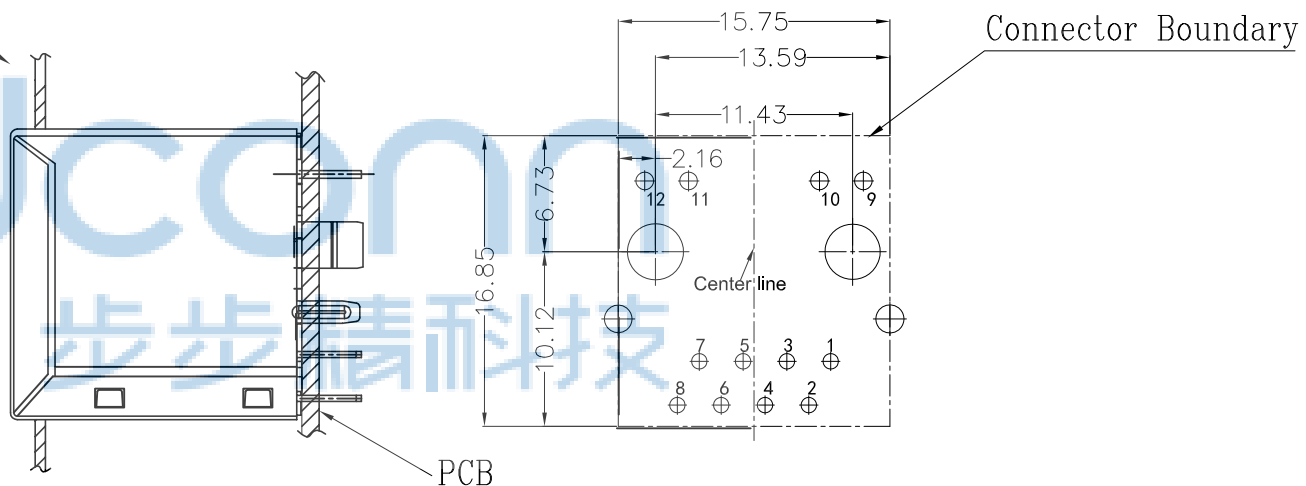


Suggested Panel Opening:



Keep-Out Area (Component Side View):



UNIT: mm / inch
Tolerances: ± 0.10 / 0.004

UNIT: mm / inch
Tolerances: ± 0.10 / 0.004



THIS DOCUMENT IS THE SOLE PROPERTY OF BBJconn Technology Co., Ltd. Corporation AND SHOULD NOT BE USED IN WHOLE OR IN PART WITHOUT PRIOR WRITTEN PERMISSION.		深圳市步步精科技有限公司	
PDWG.NO: 0521-1		DR. SGF	NAME: 网络接口 RJ45 8P8C 1x1 180度 H=16.85 带灯 左黄右绿 无弹 全包 过盐雾48小时 灯脚过8小时
APPD. JM_Zheng	CHKD. LYX	PJ. NO.: RJ.02.22-21-A002	SIZE: A4 DRW NO.:
FINISH: SEE NOTES		MAT'L.: SEE NOTES	
SCALE: N/A		REV.: AO	UNIT: mm PAGE: 2/5

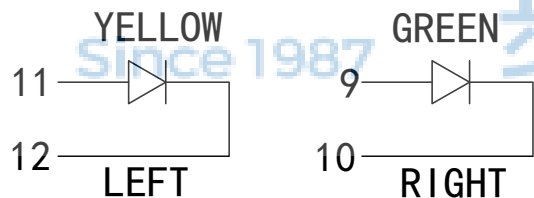
Electrical:

- 1.Voltage ratiqn:125V AC.
- 2.Insulation resistance:
500 mega ohms minimum initial
after 500V DC for 1minute.
- 3.Low level Contact resistance:
Single terminal 30 milliohms Max initial
50 milliohms maximum after durabilty test.

PCB SIDE TO PHY



CABLE SIDE



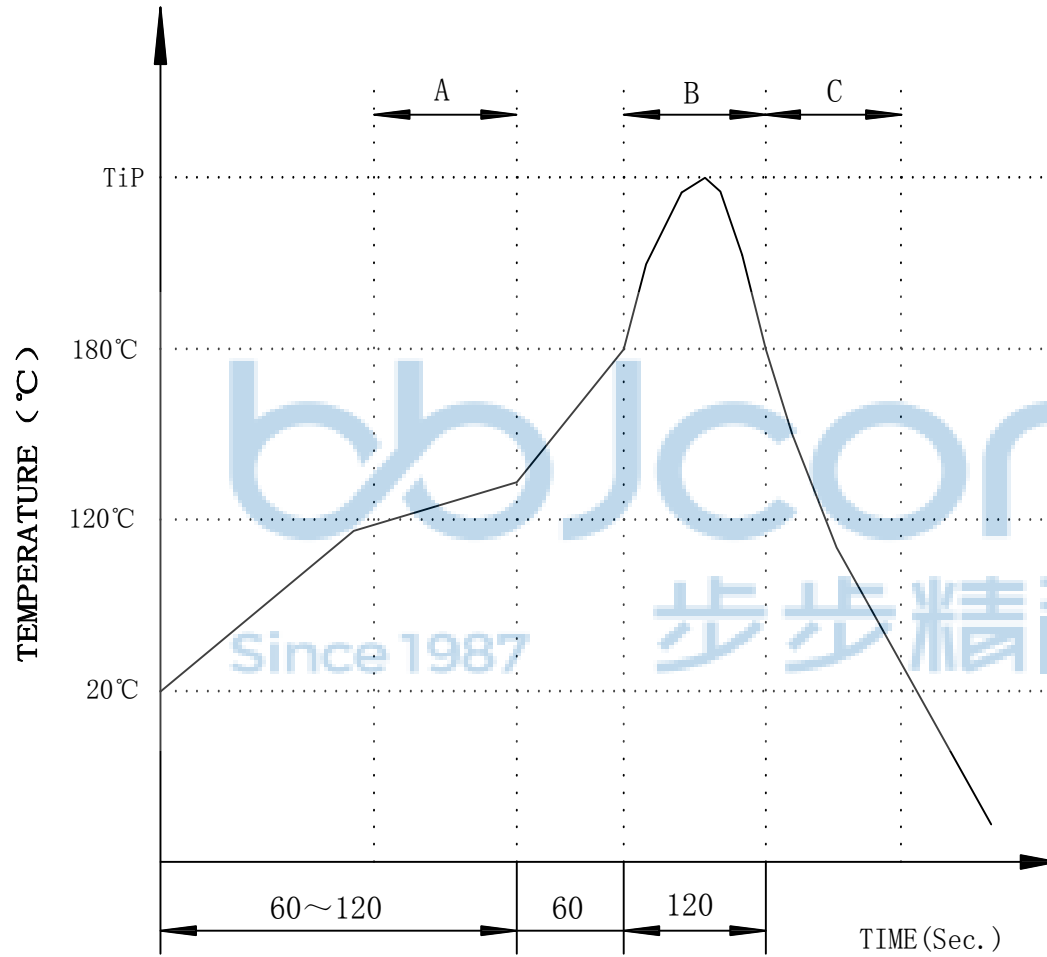
LED Specification

Standard LED Color	LED Wavelength	Foward(A)	Foward(V)
Green	568nm	20mA	1.85-2.45V
Yellow	585nm	20mA	1.7-2.2V



THIS DOCUMENT IS THE SOLE PROPERTY OF BBJconn Technology Co.,Ltd.		深圳市步步精科技有限公司	
CORPORATION AND SHOULD NOT BE USED IN WHOLE OR IN PART WITHOUT PRIOR WRITTEN PERMISSION.		NAME: 网络接口 RJ45 8P8C 1x1 180度 H=16.85 带灯 左黄右绿 无弹 全包 过盐雾48小时 灯脚过8小时	
APPD.	JM_Zheng	PJ. NO.: RJ.02.22-21-A002	
CHKD.	LYX	SIZE: A4 DRW NO.:	
PDWG.NO:	0521-1	FINISH: SEE NOTES MAT'L.: SEE NOTES	
	DR. SGF	SCALE: N/A REV.: A0 UNIT: mm PAGE: 3/5	

PROFILE OF WAVE SOLDER



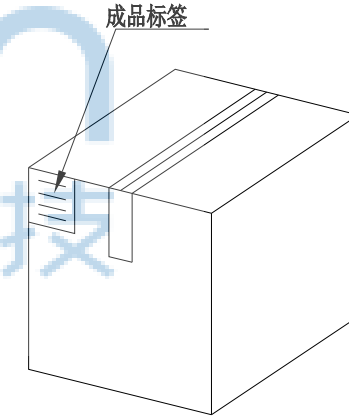
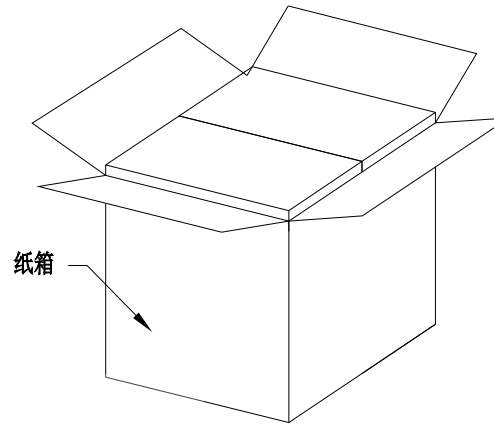
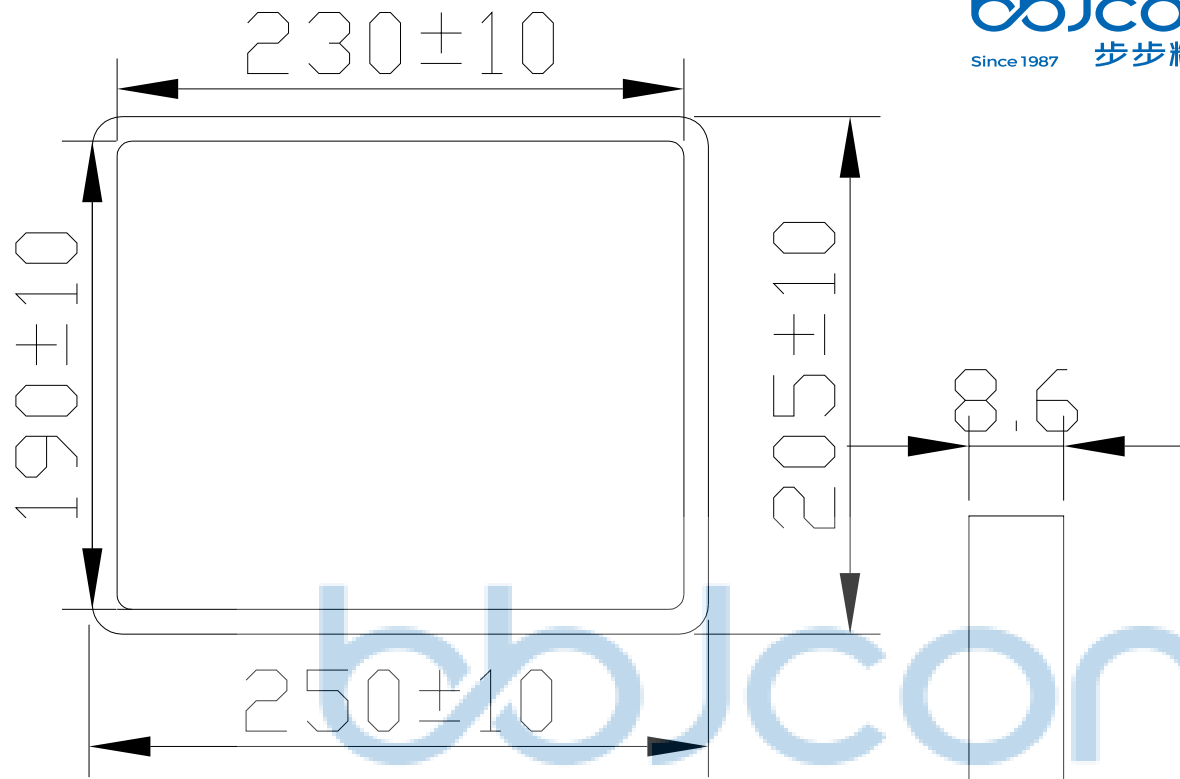
A.Preheating B.Soldering C.Gradual Cooling
 Tip temperature:260±5°C.
 Tip temperature time:5Sec Max.
 Tip melting point of Sn96.5/Ag3/Cu0.5:217°C.

Remarks: after wave soldering, the plastic positioning columns of the product which under the PCB will be slightly melted, but it won't affect its function.



THIS DOCUMENT IS THE SOLE PROPERTY OF BBJconn Technology Co.,Ltd. Corporation AND SHOULD NOT BE USED IN WHOLE OR IN PART WITHOUT PRIOR WRITTEN PERMISSION.		深圳市步步精科技有限公司	
PDWG.NO: 0521-1		DR. SGF	NAME: 网络接口 RJ45 8P8C 1x1 180度 H=16.85 带灯 左黄右绿 无弹 全包 过盐雾48小时 灯脚过8小时
APPD. JM_Zheng	CHKD. LYX	PJ. NO.: RJ.02.22-21-A002	SIZE: A4 DRW NO.:
FINISH: SEE NOTES		MAT'L.: SEE NOTES	
SCALE: N/A		REV.: AO	UNIT: mm PAGE: 4/5

REV.	ECN NO	CONTENT	DATE	ENGINEER
A0		Initial release	/	SGF



纸箱规格: 350*210*290

1. 包装要求:
- 1.1 每盒吸塑盒包装120pcs;
 - 1.2 每20盘放一箱, 共计2400PCS;
 - 1.3 纸箱外贴上标签



THIS DOCUMENT IS THE SOLE PROPERTY OF BBJconn Technology Co.,Ltd. Corporation AND SHOULD NOT BE USED IN WHOLE OR IN PART WITHOUT PRIOR WRITTEN PERMISSION.		深圳市步步精科技有限公司 .X: ±0.38 X*: ±3* .XX: ±0.25 X*: ±2* .XXX: ±0.13 XX*: ±1*		NAME: 网络接口 RJ45 8P8C 1x1 180度 H=16.85 带灯 左黄右绿 无弹 全包 过盐雾48小时 灯脚过8小时 PJ. NO.: RJ.02.22-21-A002 SIZE: A4 DRW NO.: FINISH: SEE NOTES MAT'L.: SEE NOTES SCALE: N/A REV.: A0 UNIT: mm PAGE: 5/5	
APPD.	JM_Zheng	CHKD.	LYX	DR.	SGF
PDWG.NO:	0521-1				