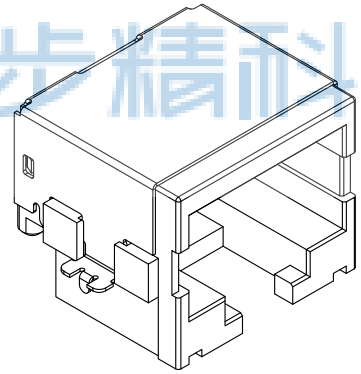
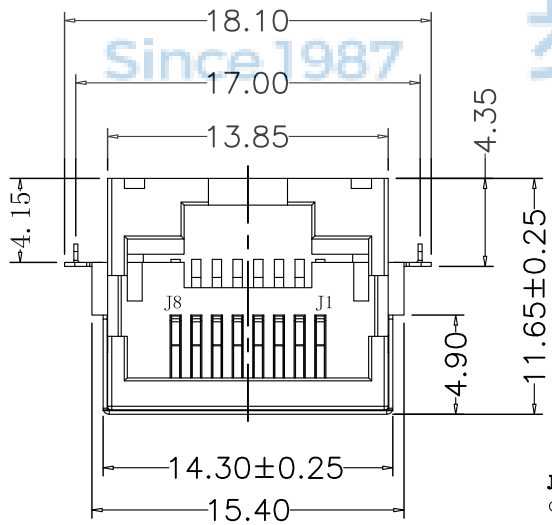
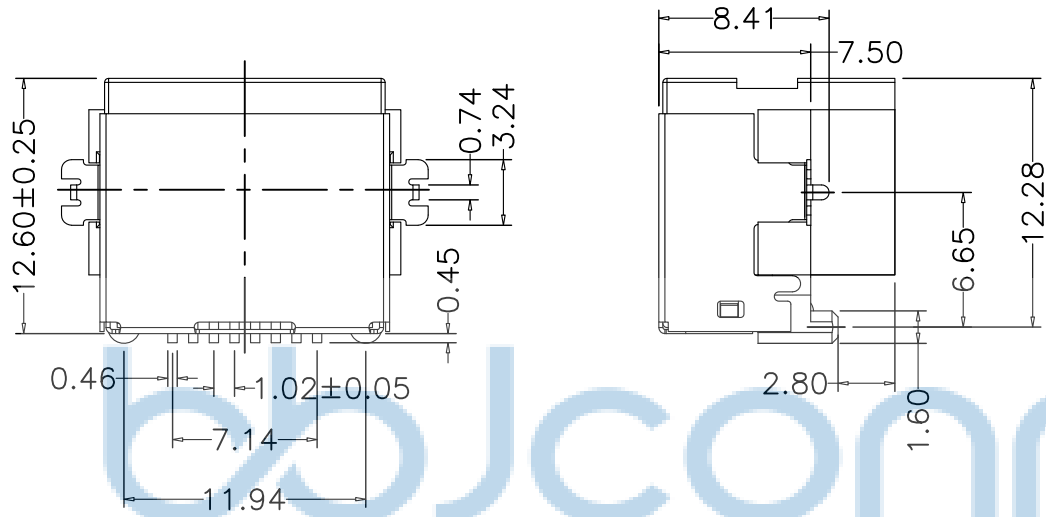
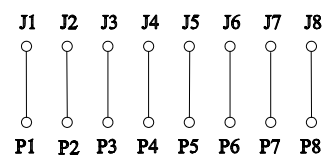


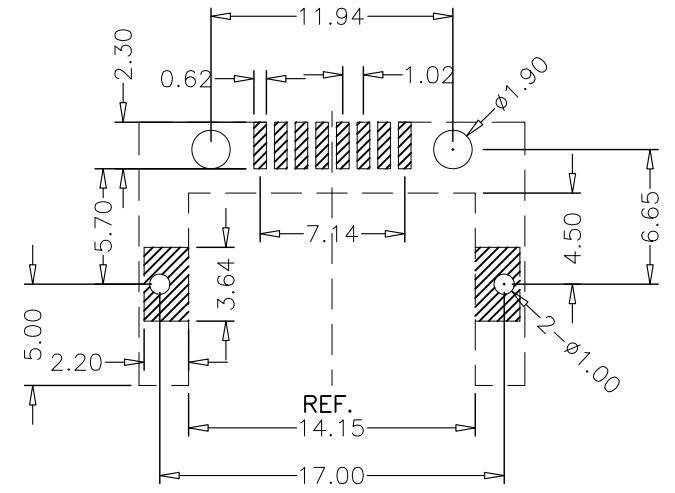
REV.	ECN NO	CONTENT	DATE	ENGINEER
A0		Initial release	/	SGF



SCHEMATIC



- 备注:
1. 塑胶材料: LCP UL94-V0 BLACK;
 2. 毛边最大0.05mm;
 3. 未注R角最大0.15mm;
 4. 端子: C5191-H T= 0.35 半金锡, 镍底50-80U", 锡100-120U", 镀金普通U"
- 包壳: 材质: C2680-H, T=0.20±0.01mm. 镀镍30-80U"

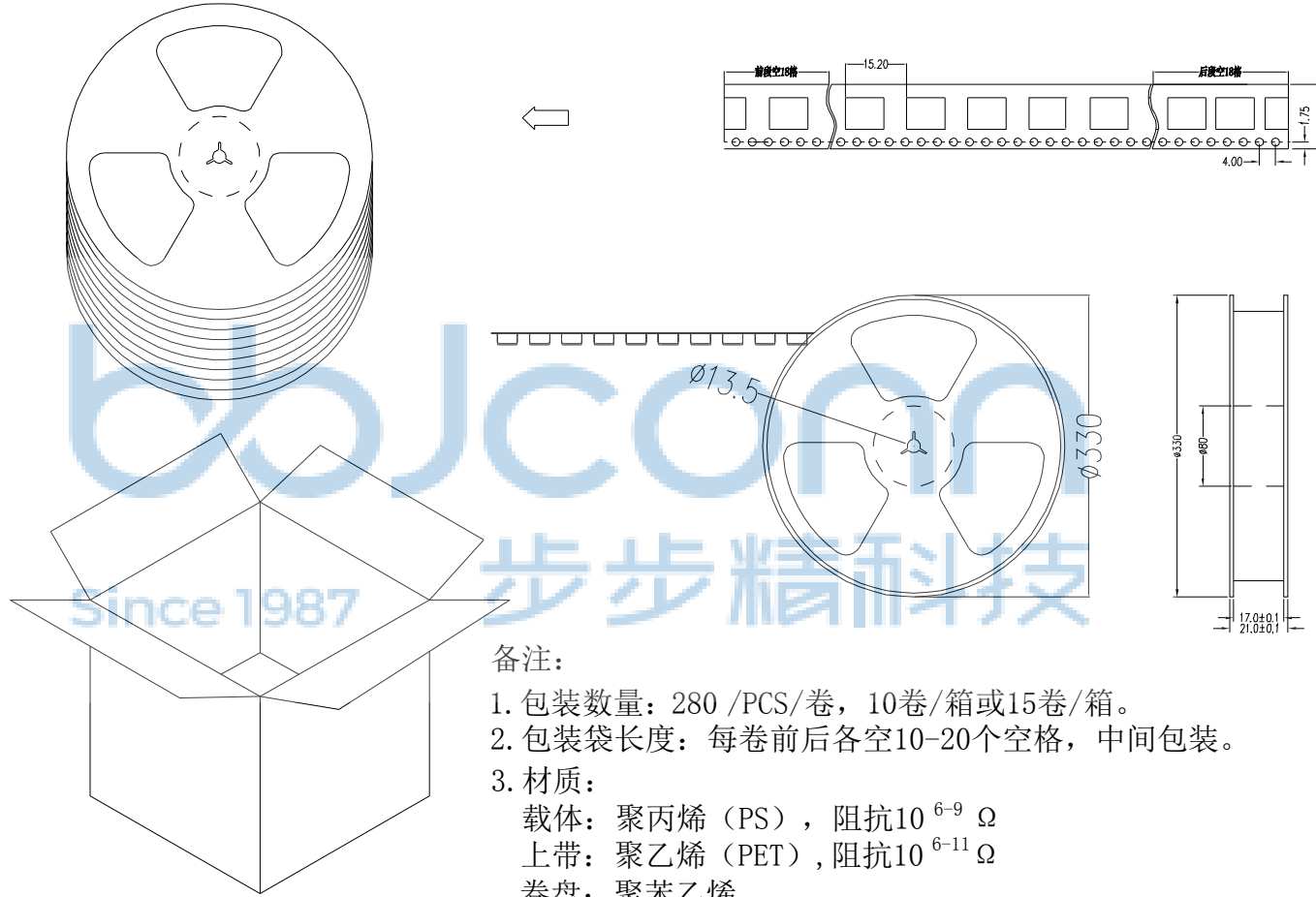


Suggested PCB Layout
Tolerance: ±0.05



THIS DOCUMENT IS THE SOLE PROPERTY OF BBJconn Technology Co., Ltd. Corporation AND SHOULD NOT BE USED IN WHOLE OR IN PART WITHOUT PRIOR WRITTEN PERMISSION.		深圳市步步精科技有限公司	
PDWG.NO: 0515-1	DR. SGF	NAME: 网络接口 RJ45 8P8C 无灯无弹 全包 沉板4.15 SMT H7.5 APPD. JM_Zheng CHKD. LYX	PJ. NO.: RJ.03.22-11-A006 SIZE: A4 DRW NO.: FINISH: SEE NOTES MAT'L.: SEE NOTES SCALE: N/A REV.: A0 UNIT: mm PAGE: 1/2

REV.	ECN NO	CONTENT	DATE	ENGINEER
A0		Initial release	/	SGF



备注:

1. 包装数量: 280 /PCS/卷, 10卷/箱或15卷/箱。
2. 包装袋长度: 每卷前后各空10-20个空格, 中间包装。
3. 材质:
 载体: 聚丙烯 (PS), 阻抗 $10^{6-9} \Omega$
 上带: 聚乙烯 (PET), 阻抗 $10^{6-11} \Omega$
 卷盘: 聚苯乙烯。

纸箱规格: 345*345*23MM
 纸箱规格: 345*345*35MM

THIS DOCUMENT IS THE SOLE PROPERTY OF BBJconn Technology Co.,Ltd. Corporation AND SHOULD NOT BE USED IN WHOLE OR IN PART WITHOUT PRIOR WRITTEN PERMISSION.		深圳市步步精科技有限公司	
.X: ±0.38 .XX: ±0.25 .XXX: ±0.13		X': ±3" X'': ±2" XX': ±1"	
APPD.	JM_Zheng	NAME: 网络接口 RJ45 8P8C 无灯无弹 全包 沉板4.15 SMT H7.5	
CHKD.	LYX	PJ. NO.: RJ.03.22-11-A006	
DR.	SGF	SIZE: A4 DRW NO.:	
PDWG.NO: 0515-1		FINISH: SEE NOTES MAT'L.: SEE NOTES	
		SCALE: N/A REV.: A0 UNIT: mm PAGE: 2/2	