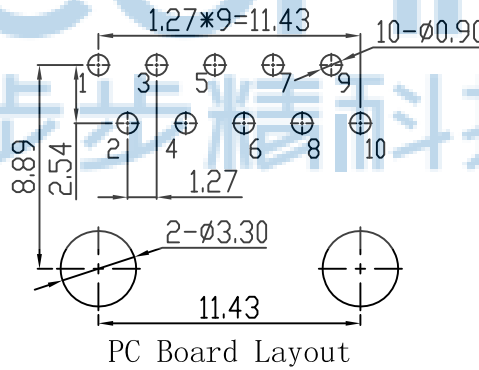
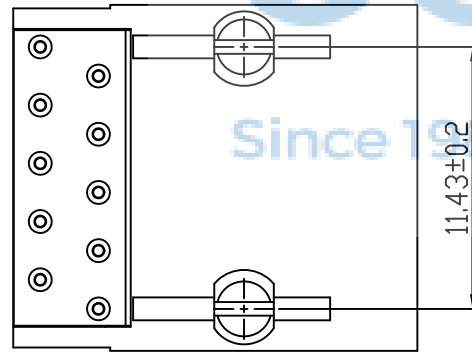
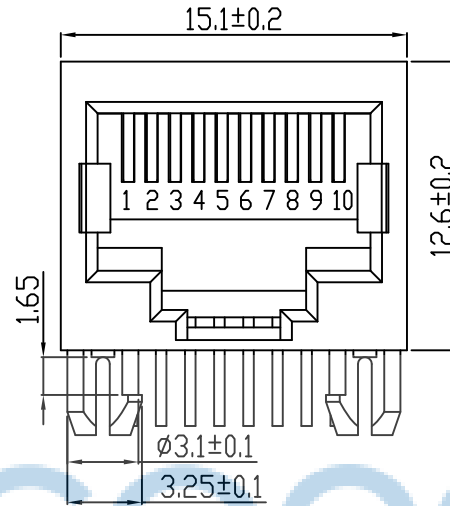
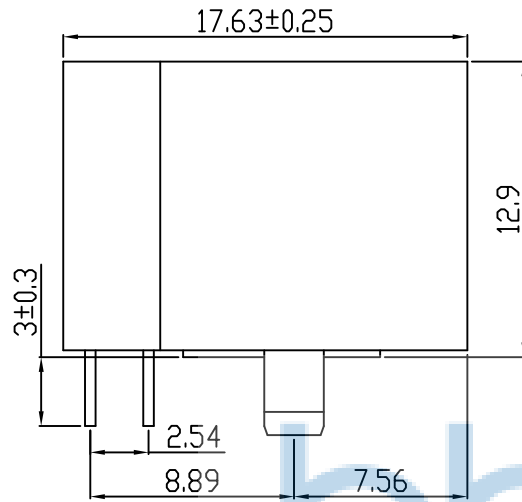


REV.	ECN NO	CONTENT	DATE	ENGINEER
A0		Initial release	/	SGF

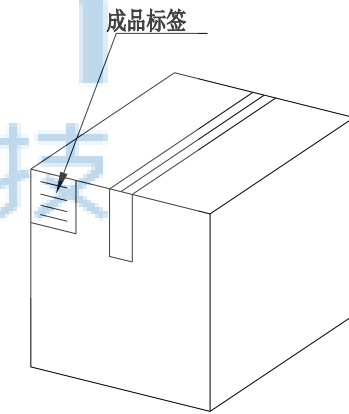
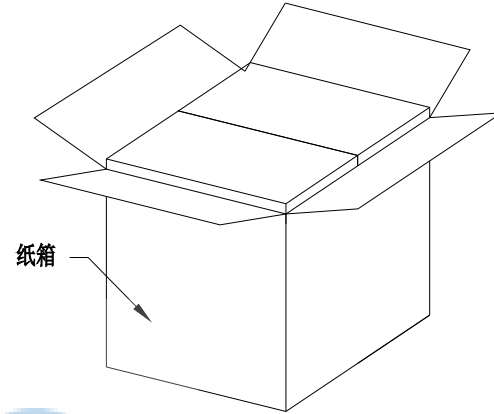
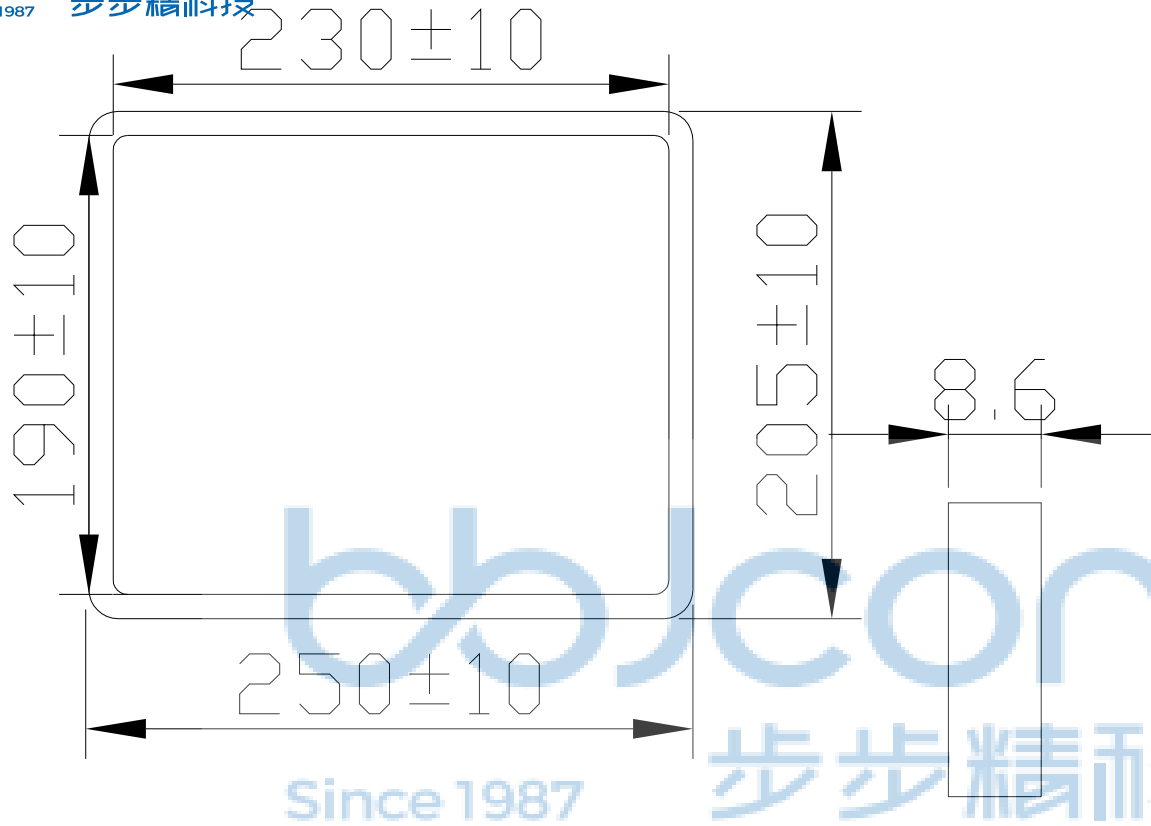


- NOTES:
- ELECTRICAL:
- VOLTAGE RATING: 125V AC.
  - CURRENT RATING: 1.5A.
  - CONTACT RESISTANCE: 30 mΩ MAX.
  - INSULATION RESISTANCE: 500 MΩ MIN @ 500V DC.
  - DIELECTRIC STRENGTH: 1000V AC 50Hz or 60Hz, 1MIN.
- MECHANICAL:
- INSERT MATERIAL: PBT Black UL94V-0.
  - CONTACT MATERIAL: ∅0.46mm C51000 (QSn4-0.3) PHOSPHOR BRONZE GOLD PLATING G/F OVER NICKEL.
  - MATING/UNMATING FORCE: 2.2KG.F MAX.
  - RETENTION STRENGTH: 5.0KG.F MIN BETWEEN JACK AND PLUG.
  - OPERATING LIFE: 750 CYCLES MIN.
- ENVIRONMENTAL:
- STORAGE: -40°C ~ +85°C RELATIVE HUMIDITY<70%.
  - OPERATION: -40°C ~ +85°C.



THIS DOCUMENT IS THE SOLE PROPERTY OF BBJconn Technology Co.,Ltd. Corporation AND SHOULD NOT BE USED IN WHOLE OR IN PART WITHOUT PRIOR WRITTEN PERMISSION.		<b>深圳市步步精科技有限公司</b>	
PDWG.NO: 0385-2		NAME: RJ5621 90度 L=17.63 1X1 10P10C 全塑 无灯 无弹 端子DIP	
APPD. JM_Zheng	CHKD. LYX	DR. SGF	PJ. NO.: RJ.01.12-11-8003
FINISH: SEE NOTES		MAT'L.: SEE NOTES	
SCALE: N/A		REV.: A0	UNIT: mm
PAGE: 1/2			

REV.	ECN NO	CONTENT	DATE	ENGINEER
A0		Initial release	/	SGF



纸箱规格: 350\*210\*290

1. 包装要求:
- 1.1 每盒吸塑盒包装120pcs;
  - 1.2 每40盘放一箱, 共计4800PCS;
  - 1.3 纸箱外贴上标签

THIS DOCUMENT IS THE SOLE PROPERTY OF BBJconn Technology Co.,Ltd. Corporation AND SHOULD NOT BE USED IN WHOLE OR IN PART WITHOUT PRIOR WRITTEN PERMISSION.		深圳市步步精科技有限公司 .X: ±0.38    .X': ±3" .XX: ±0.25    .X": ±2" .XXX: ±0.13    .XX': ±1"		NAME: RJ5621 90度 L=17.63 1X1 10P10C 全塑 无灯 无弹 端子DIP	
APPD.	JM_Zheng	PJ. NO.: RJ.01.12-11-8003 SIZE: A4   DRW NO.:		FINISH: SEE NOTES   MAT'L.: SEE NOTES	
CHKD.	LYX	SCALE: N/A		REV.: A0	UNIT: mm
PDWG.NO:	0385-2	DR.	SGF	PAGE: 2/2	