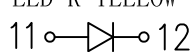
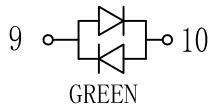


PC Board Layout

LED L ORANGE

LED R YELLOW



REV.	ECN NO.	CONTENT	DATE	ENGINEER
AO		Initial release	/	SGF

NOTES:

ELECTRICAL:

- VOLTAGE RATING: 125V AC.
- CURRENT RATING: 1.5A.
- CONTACT RESISTANCE: 30 mΩ MAX.
- INSULATION RESISTANCE: 500 MΩ MIN @ 500V DC.
- DIELECTRIC STRENGTH: 1000V AC 50Hz or 60Hz, 1MIN.

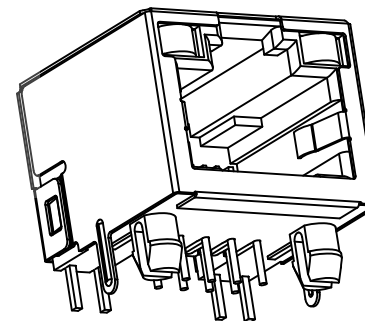
MECHANICAL:

- INSERT MATERIAL: UL94V-0. 塑料: PA46
- CONTACT MATERIAL: DIAMETER 0.46mm C51000 (QSn4-0.3) PHOSPHOR BRONZE GOLD PLATING OVER NICKEL.
- SHIELD: 0.20mm THICKNESS H65Y BRASS NICKEL PLATED.
- MATING/UNMATING FORCE: 2.2KG.F MAX.
- RETENTION STRENGTH: 5.0KG.F MIN BETWEEN JACK AND PLUG.
- OPERATING LIFE: 750 CYCLES MIN.

ENVIRONMENTAL:

- STORAGE: -40°C ~ +85°C RELATIVE HUMIDITY<70%.
- OPERATION: -40°C ~ +85°C.

焊锡条件: 260±5°C 回流焊

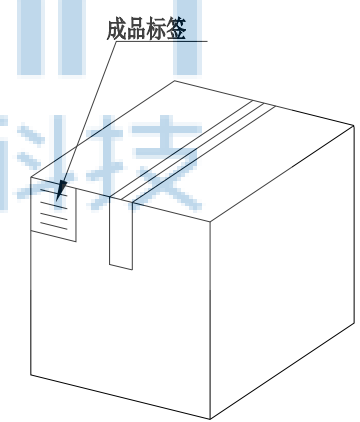
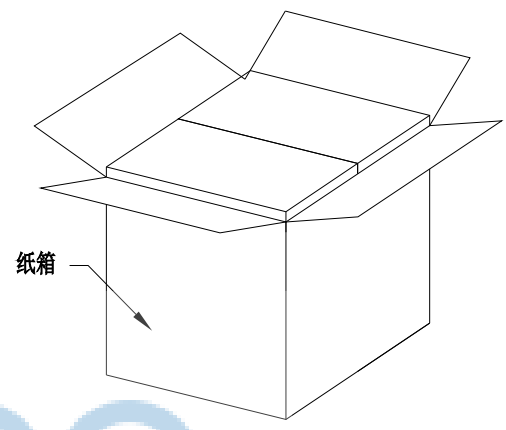
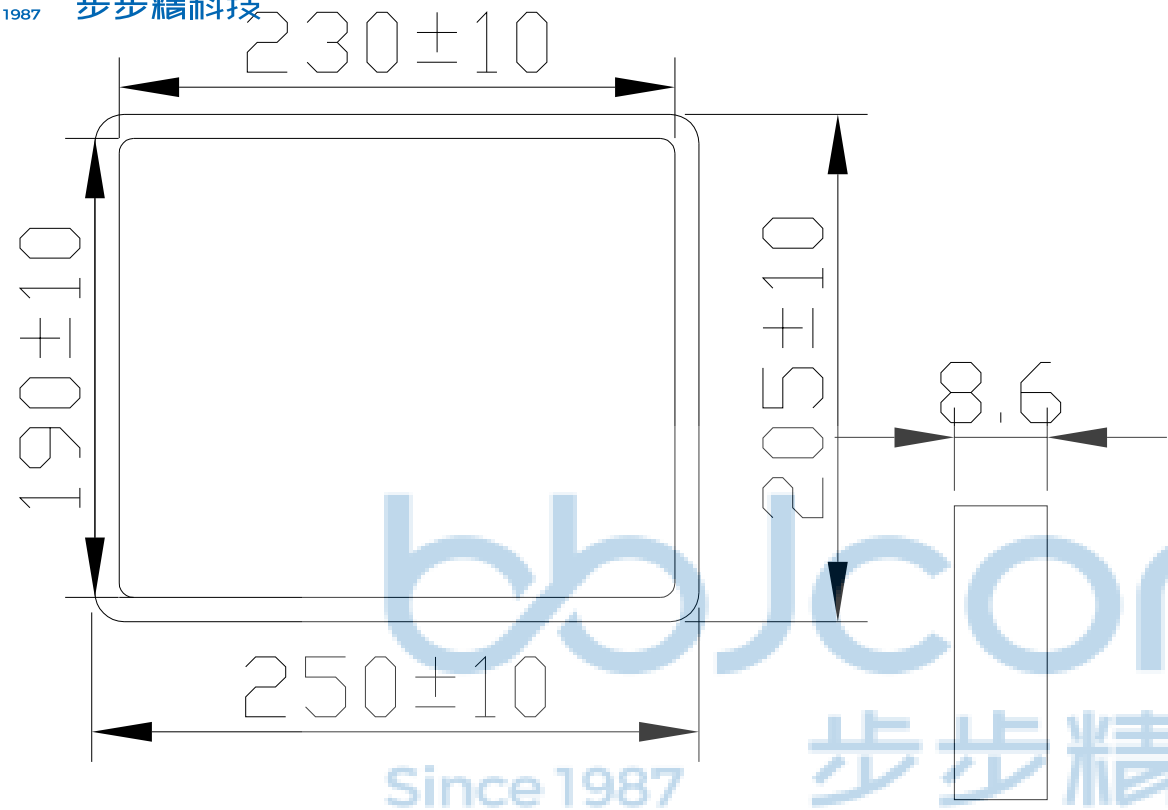


THIS DOCUMENT IS THE SOLE PROPERTY OF BBJconn Technology Co.,Ltd. Corporation AND SHOULD NOT BE USED IN WHOLE OR IN PART WITHOUT PRIOR WRITTEN PERMISSION.

PDWG.NO: 0385-2

深圳市步步精科技有限公司		NAME: RJ56S 1X1 8P8C 带灯无弹(左橙绿右黄)高温灯	
.X: ±0.38 .XX: ±0.25 .XXX: ±0.13	X': ±3" X'': ±2" X'X': ±1"	APPD. JM_Zheng CHKD. LYX DR. SGF	PJ. NO.: RJ.01.12-21-8005 SIZE: A4 FINISH: SEE NOTES SCALE: N/A
		MAT'L.: SEE NOTES REV.: A0 UNIT: mm	PAGE: 1/2

REV.	ECN NO	CONTENT	DATE	ENGINEER
A0		Initial release	/	SGF



1. 包装要求:
- 1.1 每盒吸塑盒包装100pcs;
 - 1.2 每30盘放一箱, 共计3000PCS;
 - 1.3 纸箱外贴上标签

纸箱规格: 350*210*290

THIS DOCUMENT IS THE SOLE PROPERTY OF BBJconn Technology Co.,Ltd. Corporation AND SHOULD NOT BE USED IN WHOLE OR IN PART WITHOUT PRIOR WRITTEN PERMISSION.		深圳市步步精科技有限公司 .X: ±0.38 .X': ±3" .XX: ±0.25 .X': ±2" .XXX: ±0.13 .XX': ±1"		NAME: RJ56S 1X1 8P8C 带灯无弹(左橙绿右黄)高温灯	
APPD.	JM_Zheng	PJ. NO.: RJ.01.12-21-8005 SIZE: A4 DRW NO.:		FINISH: SEE NOTES MAT'L.: SEE NOTES	
CHKD.	LYX	SCALE: N/A		REV.: A0	UNIT: mm
PDWG.NO:	0385-2	DR.	SGF	PAGE: 2/2	