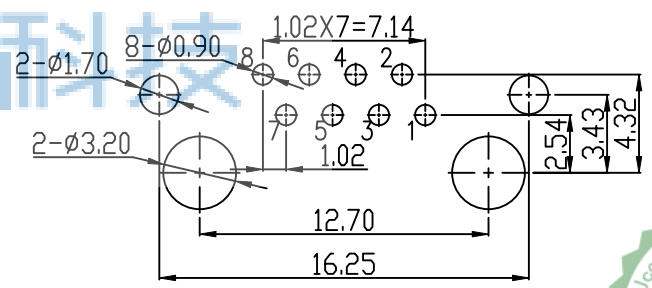
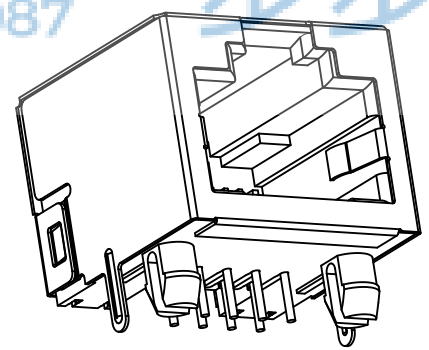
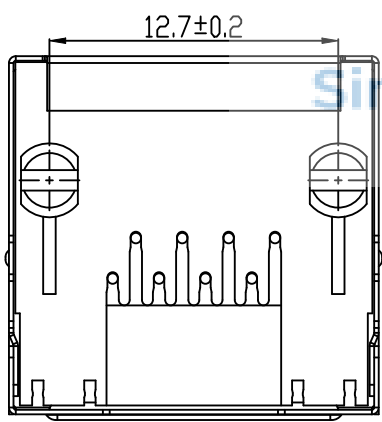
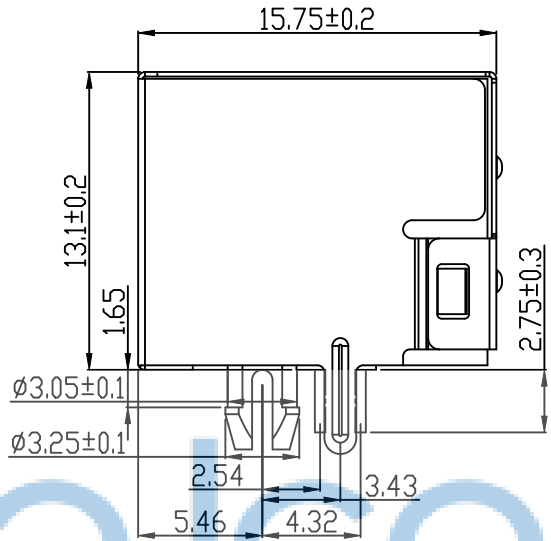
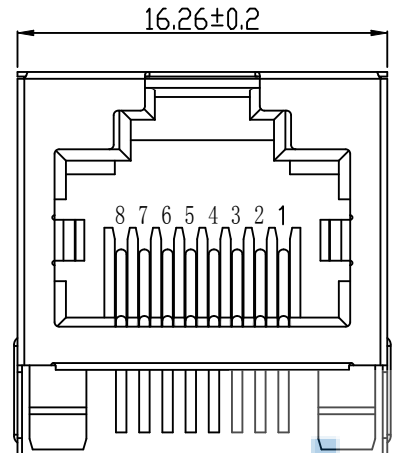


REV.	ECN NO	CONTENT	DATE	ENGINEER
AO				

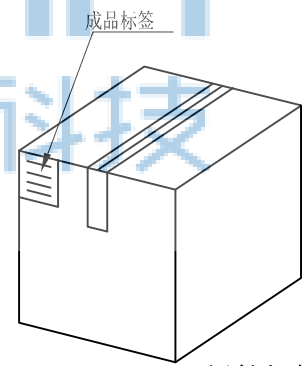
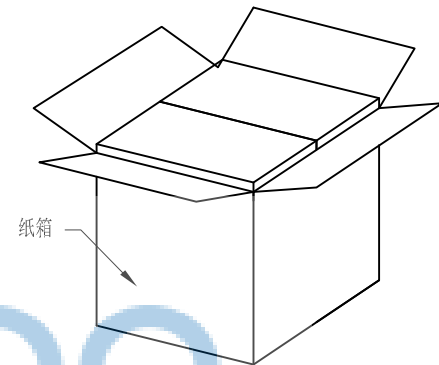
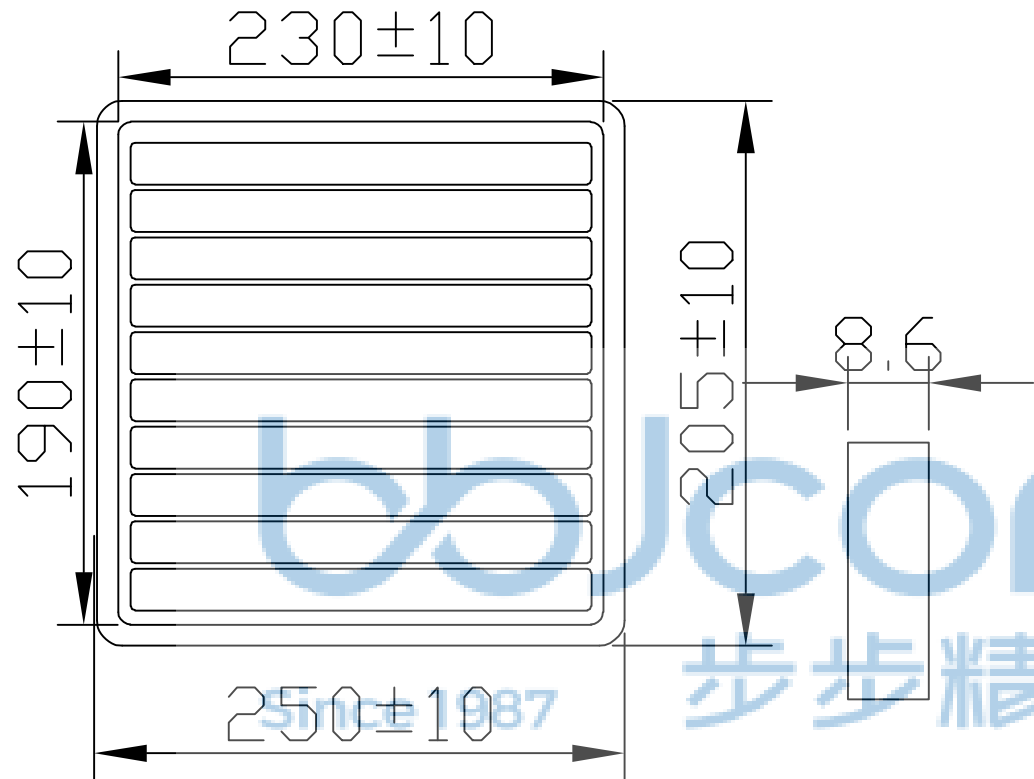
NOTES:
ELECTRICAL:
1. VOLTAGE RATING: 125V AC.
2. CURRENT RATING: 1.5A.
3. CONTACT RESISTANCE: 30 mΩ MAX.
4. INSULATION RESISTANCE: 500 MΩ MIN @ 500V DC.
5. DIELECTRIC STRENGTH: 1000V AC 50Hz or 60Hz, 1MIN.
MECHANICAL:
1. INSERT MATERIAL: UL94V-0.
2. CONTACT MATERIAL: Ø0.46mm C51000 (QSn4-0.3) PHOSPHOR BRONZE GOLD PLATING OVER NICKEL.
3. SHIELD: 0.20mm THICKNESS H65Y BRASS NICKEL PLATED.
4. MATING/UNMATING FORCE: 2.2KG.F MAX.
5. RETENTION STRENGTH: 5.0KG.F MIN BETWEEN JACK AND PLUG.
6. OPERATING LIFE: 750 CYCLES MIN.
ENVIRONMENTAL:
1. STORAGE: -40°C ~ +85°C RELATIVE HUMIDITY<70%.
2. OPERATION: -40°C ~ +85°C.



PC Board Layout



THIS DOCUMENT IS THE SOLE PROPERTY OF BBJconn Technology Co.,Ltd. Corporation AND SHOULD NOT BE USED IN WHOLE OR IN PART WITHOUT PRIOR WRITTEN PERMISSION.		深圳市步步精科技有限公司	
.X: ±0.38 .XX: ±0.25 .XXX: ±0.13 X': ±3" X'': ±2" XX': ±1"		NAME: 网络接口 RJ45 56S 1x1 8P8C 90度 L=15.75 带屏蔽 无灯 无弹 全包 端子DIP 圆针FU	
APPD.	JM_Zheng	PJ. NO.: RJ.01.22-11-8001	
CHKD.	TSP	SIZE: A4 DRW NO.:	
PDWG.NO:	0385-2	FINISH: SEE NOTES	MAT'L.: SEE NOTES
DR.	LYX	SCALE: N/A	REV.: AO UNIT: mm PAGE: 1/2



纸箱规格: 350*210*290

1. 包装要求:
- 1.1 每盒吸塑盒包装100PCS;
 - 1.2 每20盘放一箱, 共计2000PCS;
 - 1.3 纸箱外贴上标签

THIS DOCUMENT IS THE SOLE PROPERTY OF BBJconn Technology Co.,Ltd Corporation AND SHOULD NOT BE USED IN WHOLE OR IN PART WITHOUT PRIOR WRITTEN PERMISSION. PDWG.NO: / 0385-2	深圳市步步精科技有限公司		NAME: 网络接口 RJ45 56S 1x1 8P8C 90度 L=15.75 带屏蔽 无灯 无弹 全包 端子DIP 圆针FU		
	.X: ±0.38	X': ±3'	PJ. NO.: RJ.01.22-11-8001	SIZE: A4 DRW NO.:	
	.XX: ±0.25	.X': ±2'			
	.XXX: ±0.13	.XX': ±1'	FINISH: SEE NOTES	MAT'L.: SEE NOTES	
	APPD. JM_Zheng	CHKD. TSP	SCALE: N/A	REV.: A0	UNIT: mm