

REV.	ECN NO	CONTENT	DATE	ENGINEER
A0				

NOTES:

ELECTRICAL:

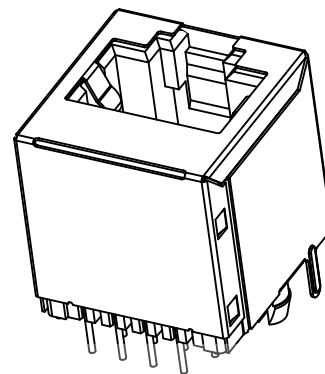
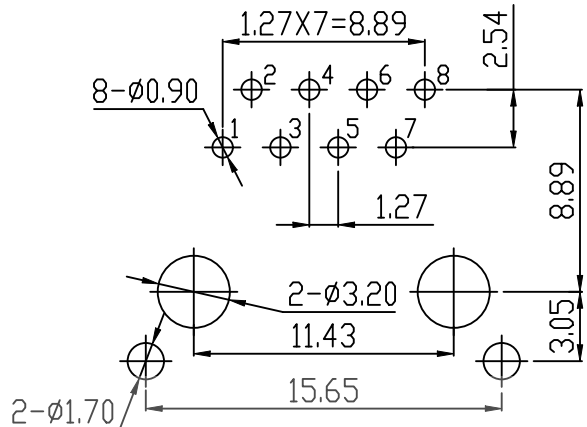
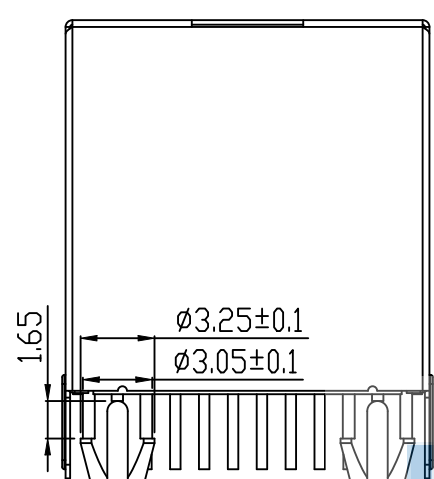
- VOLTAGE RATING: 125V AC.
- CURRENT RATING: 1.5A.
- CONTACT RESISTANCE: 30 mΩ MAX.
- INSULATION RESISTANCE: 500 MΩ MIN @ 500V DC.
- DIELECTRIC STRENGTH: 1000V AC 50Hz or 60Hz, 1MIN.

MECHANICAL:

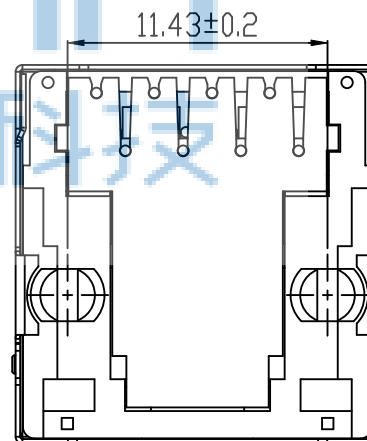
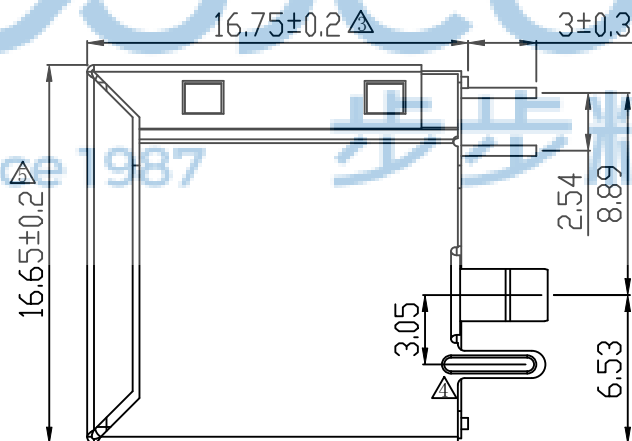
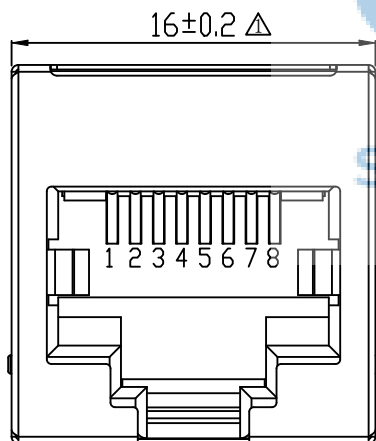
- INSERT MATERIAL: PBT BLACK UL94V-0.
- CONTACT MATERIAL: DIAMETER 0.46mm C51000(QSn4-0.3)PHOSPHOR BRONZE GOLD PLATING OVER NICKEL. GOLD PLATING:G/F
- SHIELD: 0.20mm THICKNESS H65Y BRASS NICKEL PLATED.
- MATING/UNMATING FORCE: 2.2KG.F MAX.
- RETENTION STRENGTH: 5.0KG.F MIN BETWEEN JACK AND PLUG.
- OPERATING LIFE: 750 CYCLES MIN.

ENVIRONMENTAL:

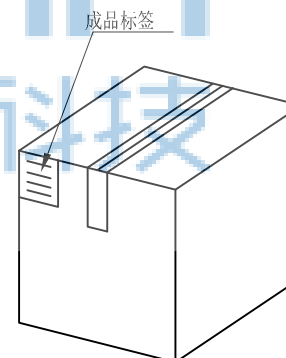
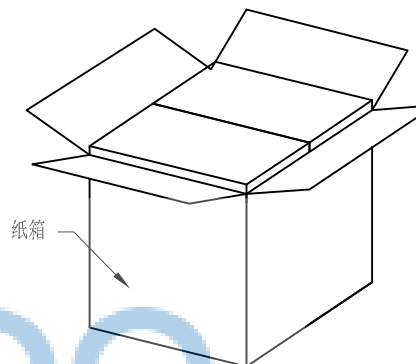
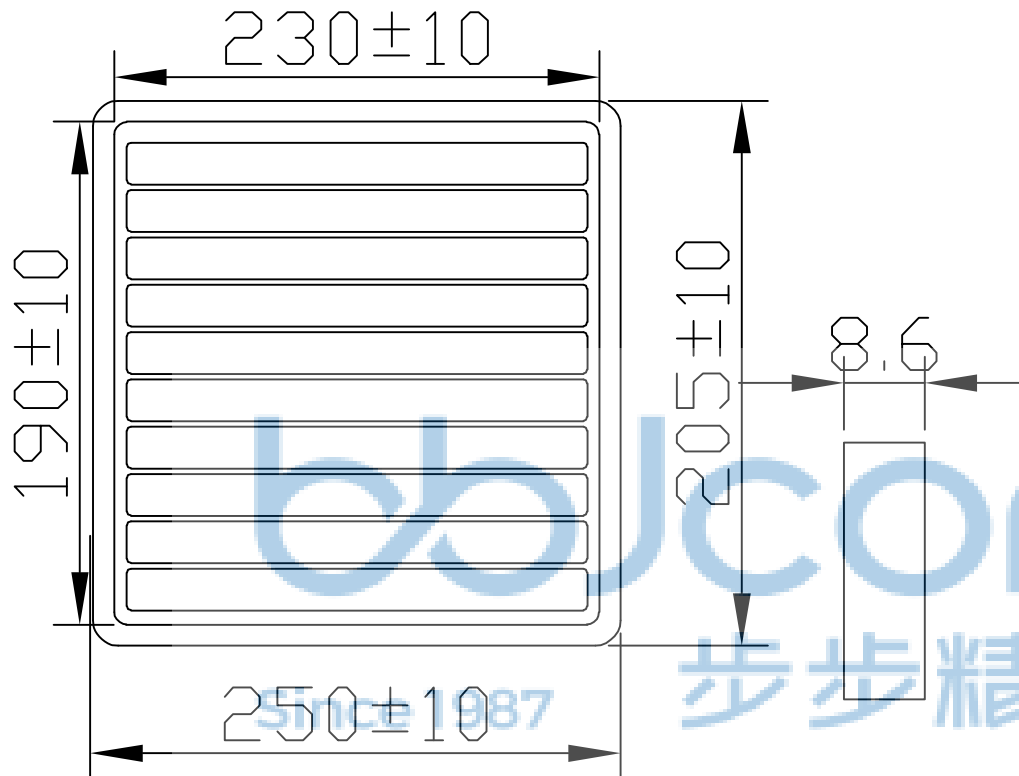
- STORAGE: -40°C ~ +85°C RELATIVE HUMIDITY<70%.
- OPERATION: -40°C ~ +85°C.



PC Board Layout



THIS DOCUMENT IS THE SOLE PROPERTY OF BBJconn Technology Co.,Ltd. Corporation AND SHOULD NOT BE USED IN WHOLE OR IN PART WITHOUT PRIOR WRITTEN PERMISSION.		<b>深圳市步步精科技有限公司</b>	
.X: ±0.38    .XX: ±0.25    .XXX: ±0.13 X': ±3"    X'': ±2"    XX': ±1"		NAME: 网络接口 RJ45 5224S 1x1 8P8C 180度 H=16.75 无灯 无弹 带屏蔽 全包 DIP	
APPD.	JM_Zheng	PJ. NO.: RJ.02.21-11-8001	
CHKD.	TSP	SIZE: A4 DRW NO.:	
PDWG.NO:	0385-2	FINISH: SEE NOTES	MAT'L.: SEE NOTES
DR.	LYX	SCALE: N/A	REV.: A0 UNIT: mm PAGE: 1/2



纸箱规格：350\*210\*290

1. 包装要求:

- 1.1 每盒吸塑盒包装100PCS;
- 1.2 每20盘放一箱，共计2000PCS;
- 1.3 纸箱外贴上标签

THIS DOCUMENT IS THE SOLE PROPERTY OF BBJconn Technology Co.,Ltd Corporation AND SHOULD NOT BE USED IN WHOLE OR IN PART WITHOUT PRIOR WRITTEN PERMISSION.	深圳市步步精科技有限公司		NAME: 网络接口 RJ45 5224S 1x1 8P8C 180度 H=16.75 无灯 无弹 带屏蔽 全包 DIP		
	.X: ±0.38 .XX: ±0.25 .XXX: ±0.13	X': ±3' .X': ±2' .XX': ±1'	APPD. JM_Zheng	PJ. NO.: RJ.02.21-11-8001	SIZE: A4 DRW NO.:
	PDWG.NO: 0385-2	DR. LYX	CHKD. TSP	FINISH: SEE NOTES	MAT'L.: SEE NOTES
			SCALE: N/A	REV.: A0	UNIT: mm
					PAGE: 2/2