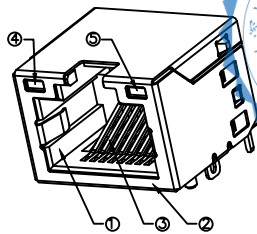
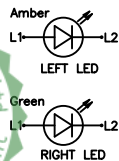
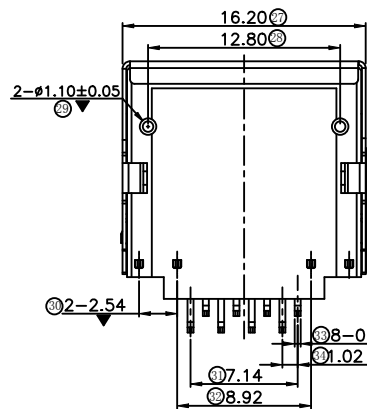
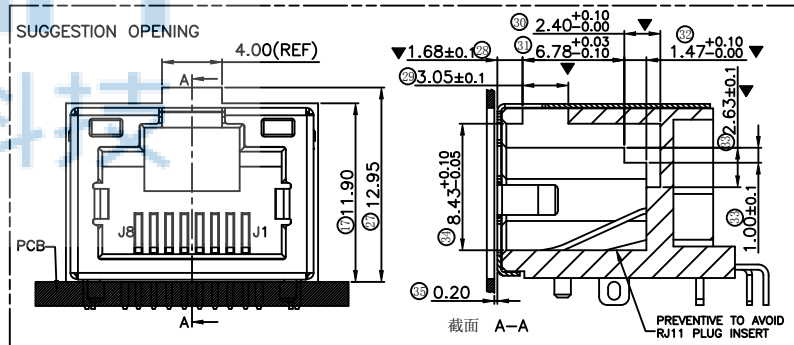
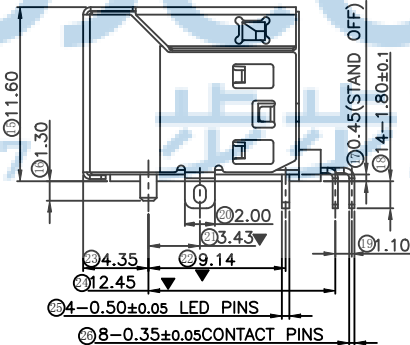
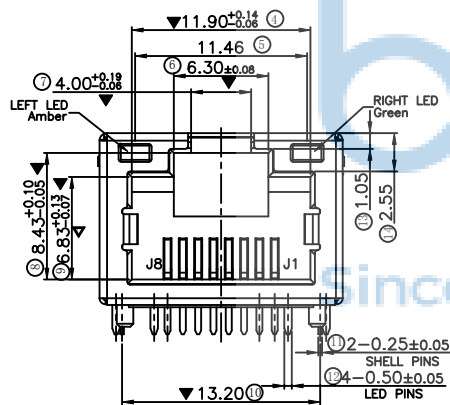
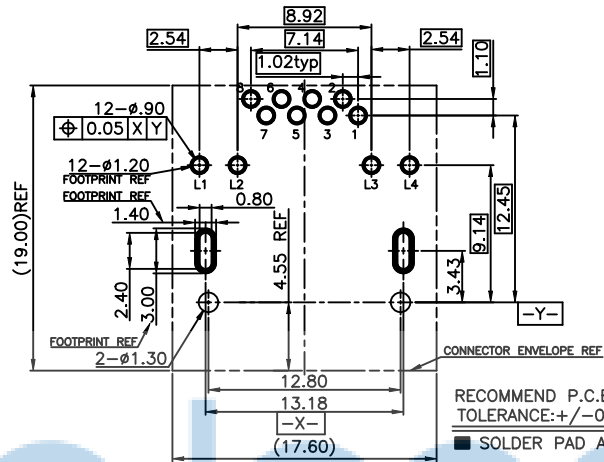
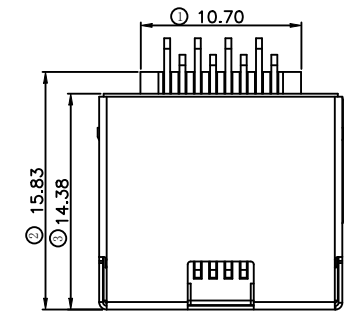


REV.	ECN NO.	CONTENT	DATE	ENGINEER
A0			2022 11/08	
A1	EN2307013	客户之前取消平板, 现在又要求加上, 增加图号	2023 07/20	



NO.	DESCRIPTION	QTY.	MATERIAL	TREATMENT
5	RIGHT-LED	1	Green	MATTE Sn 80U" Min ON ALL OVER Ni 50u" Min.
4	LEFT-LED	1	Amber	MATTE Sn 80U" Min ON ALL OVER Ni 50u" Min.
3	TETMINAL	8	CS210-EH;T=0.35	ALL 1u" Min ON CONTACT AREA;MATTE Sn 80u"Min ON SOLDERAREA; ALL AREA 50u" Ni Min.
2	SHELL	1	SUS 304 T=0.25	ALL AREA 50U" NI Min.
1	HOUSING	1	LCP UL 94V-0	MOLDED COLOR:BLACK.

Emitting Color	Ap (nm)	Vf@If=20mA	Ir @Vr=5V
Amber	568	1.7V~2.6V	10mA max.
Green	565	1.7V~2.6V	10mA max.

NOTES:

- ELECTRICAL CHARACTERISTICS:
 - Contact current rating:1.5A Max.
 - Low level single Contact resistance: 30 Milliohms Max (Initial Status). 50 Milliohms Max (Final Status).
 - Dielectric withstanding voltage:500V AC.
 - Insulation resistance:500 Megohms Min.
- MECHANICAL CHARACTERISTICS:
 - Connector insertion force:2.1 Kg MAX.with latch depressed.
 - Connector extraction force:3Kg MAX.with latch depressed.
 - Durability:1000 cycles.
 - Operating temperature:-30° C~+70° C.
- IR REFLOW:THE PEAK TEMPERATURE ON THE BOARD SHALL BE MAINTAINET FOR 10SECONTA AT 260+/-5C.
- HF COMPLIANT.
- RJ45 CAVITY RONFORMS TO FCC ROLES AND REGULATION PART 68 SUBPART F.
- LOTES ASSURES 1000PPM FOR LED DEFECT AFTET IR REFLOW.
- This symbol "▽" is the focus;This symbol "⊙" is the focus; This symbol "□" is the CPK.
- Salt Spray:48H.

THIS DOCUMENT IS THE SOLE PROPERTY OF BBJconn Technology Co.,Ltd. Corporation AND SHOULD NOT BE USED IN WHOLE OR IN PART WITHOUT PRIOR WRITTEN PERMISSION. PDWNG.NO: 9999-9

深圳市步步精科技有限公司

.X: ±0.38 X': ±3'
.XX: ±0.25 X'': ±2'
.XXX: ±0.13 X'X': ±1'

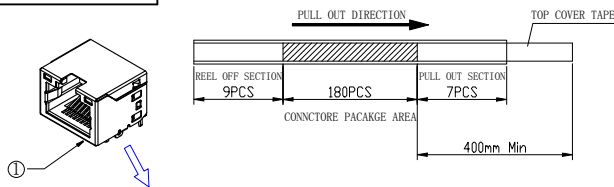
NAME: RJ45 MINI 5JA 扁针 无弹 带灯 (左琥珀右绿) 屏蔽 H11.6

APPD. JM_Zheng 22/11/08
CHKD. LYX 22/11/08
DR. ZY 22/11/08

PJ. NO.: RJ.01.22-21-A003
SIZE: A4 DRW NO.: AC23-0001
FINISH: SEE NOTES MAT'L.: SEE NOTES
SCALE: N/A REV.: A1 UNIT: mm PAGE: 1/2

REV.	ECN NO.	CONTENT	DATE	ENGINEER
AO			2022 11/08	
A1	EN2307013	客户之前取消平板，现在又要求加上，增加图号	2023 07/20	

RoHS +HF Compliant



1. 包装方式:

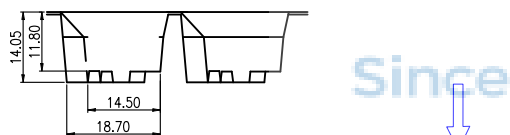
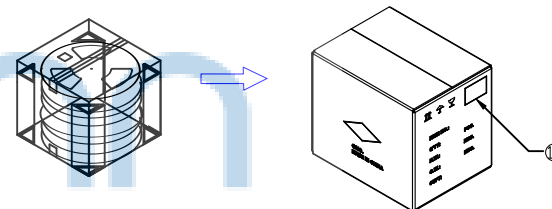
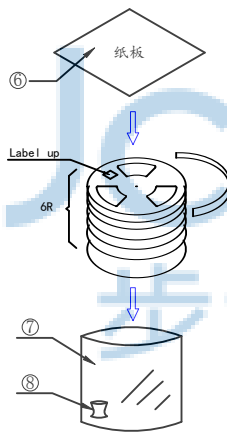
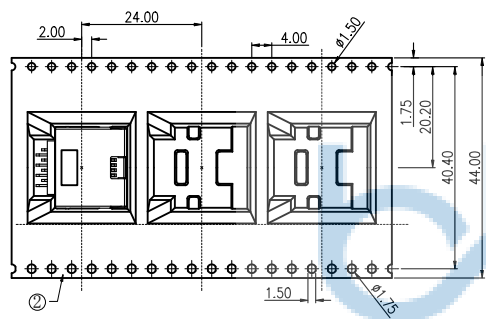
1. 使用半自动包装机, 先将CARRY TAPE 送入导轨中, 并与COVER TAPE 贴合在上面, 其中初始7pcs空槽不要放产品, 然后将产品如图所示方向依次放入CARRY TAPE内, 每个槽放1PCS, 每REEL共包装产品180PCS, 最后需留9Pcs空槽不放产品.
2. 用胶带将CARRY TAPE粘在一起, 外圈再用塑膠帶(電周波) 纏繞一圈, 按客户要求REEL上貼上LABEL, 注明料號, 日期, 數量.
3. 如圖示, 將裝好的REEL裝入PE袋內, PE袋內放置2Pcs干燥劑, 然後在外箱底部放1Pcs紙板, 紙箱內4個角分別放置1個三角板, 再將PE袋內REEL放入CARTON內, 頂部再加蓋一個紙板, 最後用膠帶封箱, 並在紙箱外相應的地方貼上標籤.

注意:

1. 防止漏裝, 禁止碰至產品錫腳;
2. 產品在 CARRY TPAE中的方向須如圖所示 (BOSS的方向)

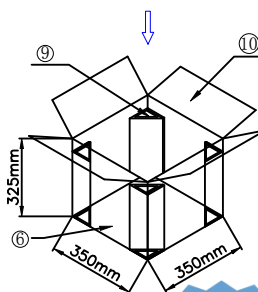
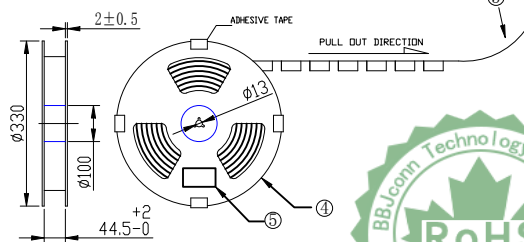
2. 包裝數量:

180pcs/REELL
6REELL (1080PCS) /CARTON



COVER TYPE PEELING FORCE:

A	165° ~ 180°
F	0.1N ~ 1.3N



⑩	LABEL (CARTON)	1Pcs	80mm*50mm	
⑩	CARTON	1Pcs	L350*W350*H325	
⑨	FOLDER PAPER BOARD	4Pcs	(8+12+8) *30, B=C	
⑧	DESICCANT	2Pcs		
⑦	PE Bag	1Pcs	520*320*460, T=0.05mm	
⑥	PAPER BOARD	2Pcs	330*330	
⑤	LABEL (TAPE REEL)	6Pcs	80mm*50mm	
④	REEL	6R	0330mm, H=44.5mm	
③	COVER TAPE	1R	PE, W=37.5mm	
②	TAPE REEL	6Pcs	PS, W=44mm, T=0.5mm, 总长4.7M	
①	RJ_4001_01BGYF	1080Pcs	N/A	
NO.	DESCRIPTION	QTY	MATERIAL	PLATING & COLOR



THIS DOCUMENT IS THE
SOLE PROPERTY OF
BBJconn Technology Co.,Ltd.
Corporation AND SHOULD
NOT BE USED IN WHOLE
OR IN PART WITHOUT
PRIOR WRITTEN PERMISSION.

深圳市步步精科技有限公司

.X: ±0.38 X': ±3'
.XX: ±0.25 .X': ±2'
.XXX: ±0.13 .XX': ±1'

NAME: RJ45 MINI 5JA 扁针 无弹
带灯 (左琥珀色右绿) 屏蔽 H11.6

APPD. JM_Zheng 22/11'08

PJ. NO.: RJ.01.22-21-A003

CHKD. LYX 22/11'08

SIZE: A4 DRW NO.: AC23-0001

PDWG.NO: 9999-99 DR. ZY 22/11'08

FINISH: SEE NOTES MAT'L.: SEE NOTES

SCALE: N/A REV.: A1 UNIT: mm PAGE: 2/2