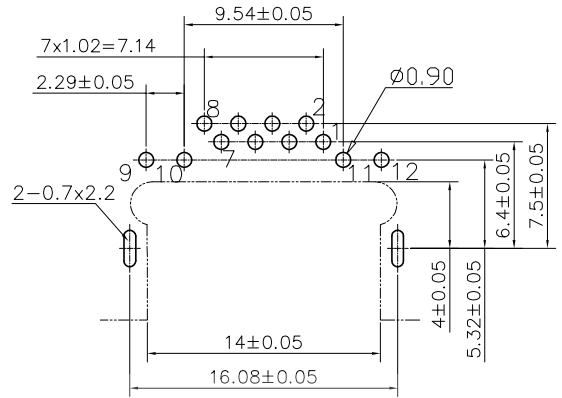
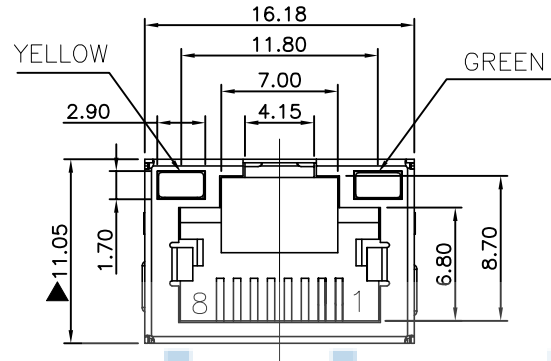
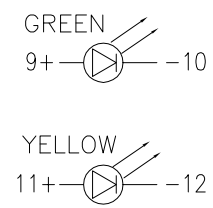
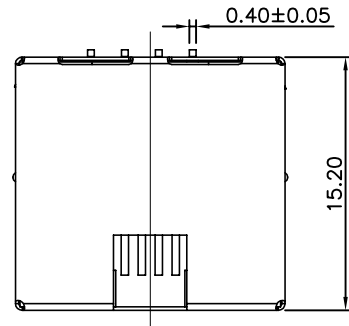
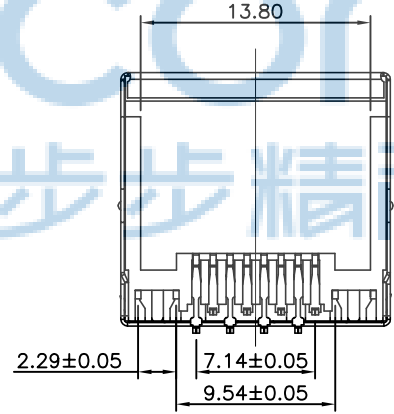
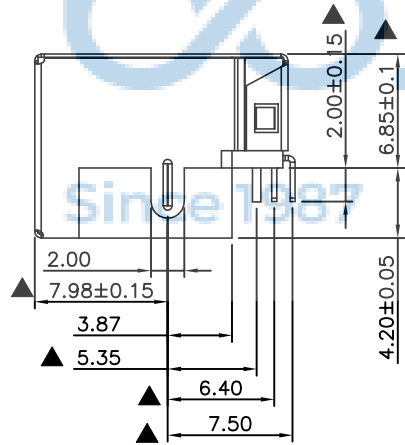


REV.	ECN NO	CONTENT	DATE	ENGINEER
A0		Initial release	/	SGF



Recommend PCB Layout
(Jack Top View)
Tolerance: ±0.05mm



NOTE:

- ELECTRICAL CHARACTERISTICS;
 - VOLTAGE RATING:125 VAC RMS
 - CURRENT RATING:1.5AMP
 - CONTACT RESISTANCE:30 MILLIOHMS MAX
 - INSULATION RESISTANCE:1000 MEGOHMS MIN
 - DIELECTRIC STRENGTH:1000V AC RMS 50Hz.1MIN
- ENVIRONMENTAL:
 - TEMPERATURE RANGE:-40°C-+85°C
 - RELATIVE HUMIDITY:90-95%(40±2°C)
- 标示"▲"符号的尺寸为重点检验尺寸;

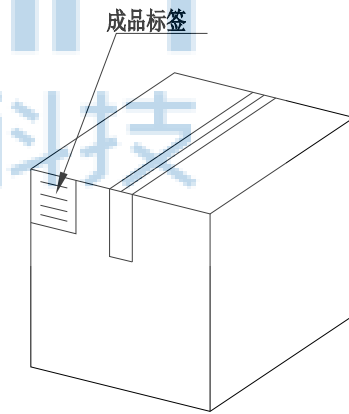
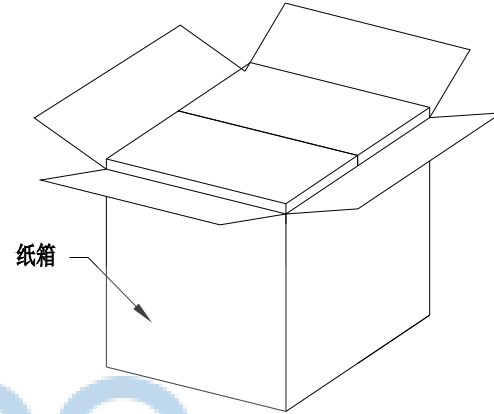
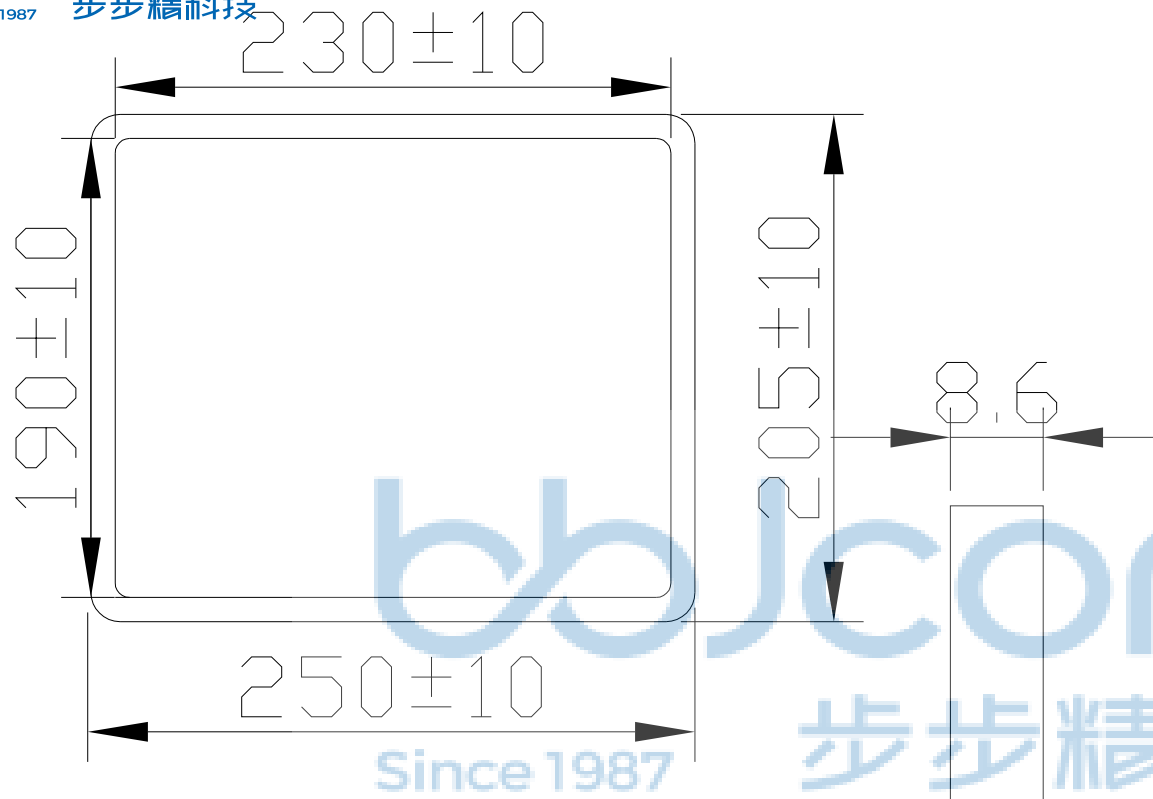
4.MATERIAL LIST:

No.	PART NAME	QTY	MATERIAL	REMARK
4	LED	2		
3	SHELL	1	COPPER ALLOY C2680	NI PLATED
2	CONTACT	8	PHOSPHOR BRONZE C5191	AU/SN PLATED
1	HOUSING	1	THERMOPLASTIC(LCP)	(UL 94V-0) BLACK



THIS DOCUMENT IS THE SOLE PROPERTY OF BBJconn Technology Co.,Ltd. Corporation AND SHOULD NOT BE USED IN WHOLE OR IN PART WITHOUT PRIOR WRITTEN PERMISSION.		深圳市步步精科技有限公司	
PDWG.NO: 0409-1		.X: ±0.38 .XX: ±0.25 .XXX: ±0.13	X': ±3' X'': ±2' X'X': ±1'
APPD.	JM_Zheng	NAME: RJ45 8P 沉板4.20 L=15.30 DIP 带灯(左黄右绿)	
CHKD.	LYX	PJ. NO.: RJ.03.22-21-A001	
DR.	SGF	SIZE: A4 DRW NO.:	
		FINISH: SEE NOTES MAT'L.: SEE NOTES	
		SCALE: N/A	REV.: A0 UNIT: mm PAGE: 1/2

REV.	ECN NO	CONTENT	DATE	ENGINEER
A0		Initial release	/	SGF



纸箱规格: 350*210*290

1. 包装要求:
- 1.1 每盒吸塑盒包装100 pcs;
 - 1.2 每20盘放一箱, 共计2000PCS;
 - 1.3 纸箱外贴上标签

THIS DOCUMENT IS THE SOLE PROPERTY OF BBJconn Technology Co.,Ltd. Corporation AND SHOULD NOT BE USED IN WHOLE OR IN PART WITHOUT PRIOR WRITTEN PERMISSION.		深圳市步步精科技有限公司 .X: ±0.38 .X': ±3" .XX: ±0.25 .X'': ±2" .XXX: ±0.13 .XX': ±1"		NAME: RJ45 8P 沉板4.20 L=15.30 DIP 带灯(左黄右绿)	
APPD.	JM_Zheng	PJ. NO.: RJ.03.22-21-A001		SIZE: A4 DRW NO.:	
CHKD.	LYX	FINISH: SEE NOTES		MAT'L.: SEE NOTES	
PDWG.NO:	0409-1	DR.	SGF	SCALE: N/A	REV.: A0
				UNIT: mm	PAGE: 2/2