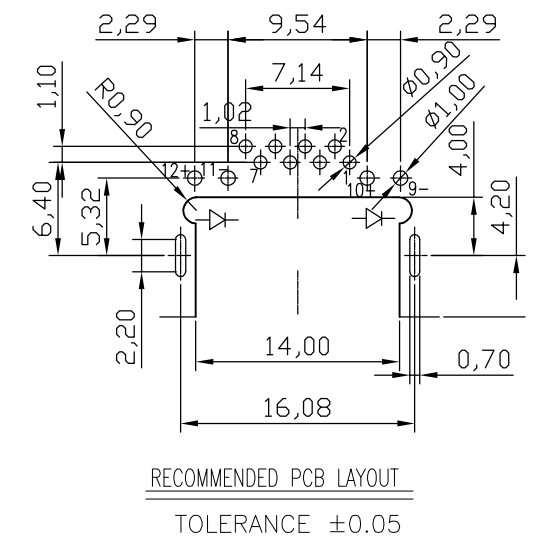
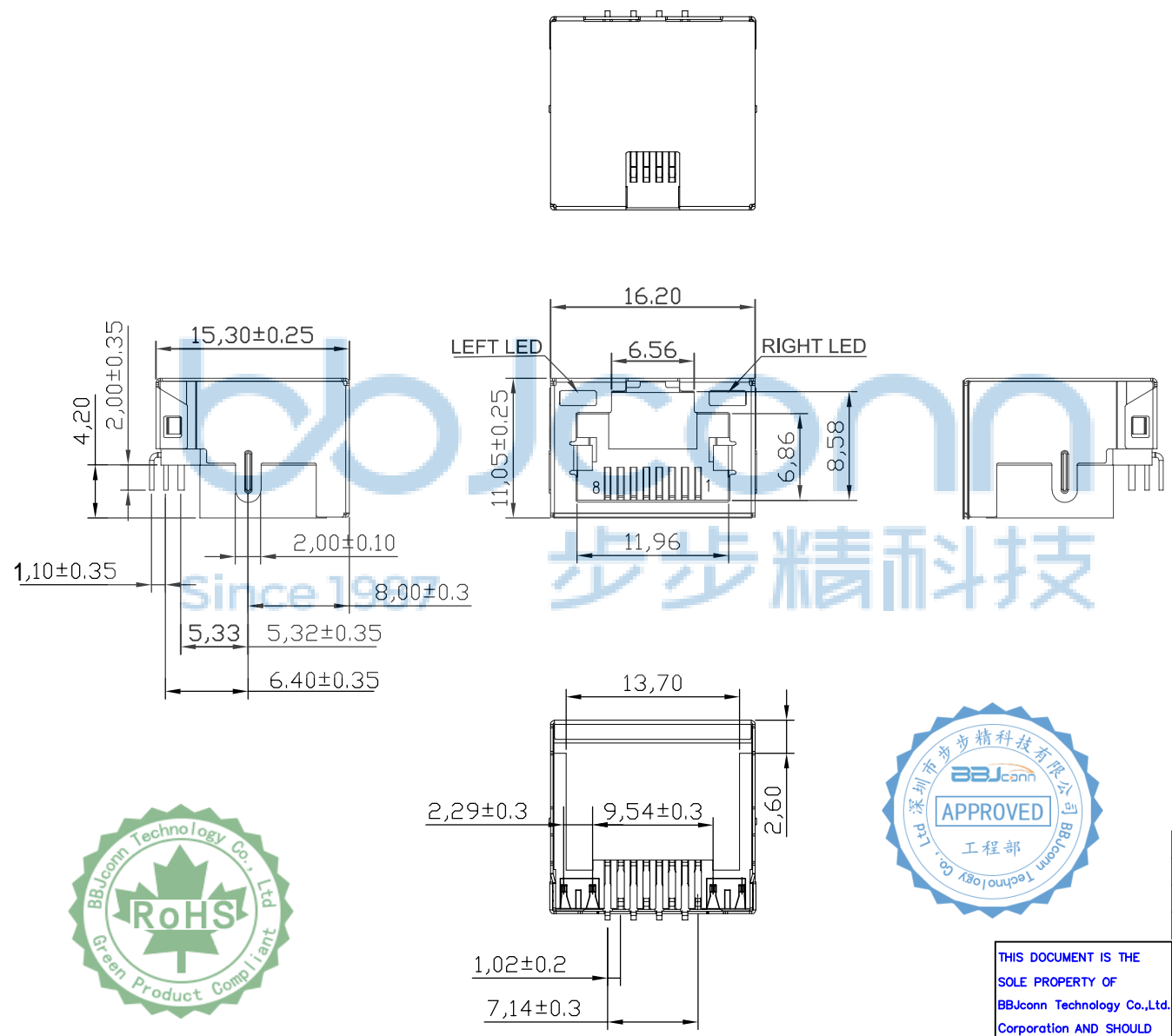


REV.	ECN NO	CONTENT	DATE	ENGINEER
A0		Initial release	/	SGF

NOTE:  
 1. ELECTRICAL CHARACTERISTICS;  
 1.1 VOLTAGE RATING:125 VAC RMS  
 1.2 CURRENT RATING:1.5AMP  
 1.3 CONTACT RESISTANCE:30 MILLIOHMS MAX  
 1.4 INSULATION RESISTANCE:1000 MEGOHMS MIN  
 1.5 DIELECTRIC STRENGTH:1000V AC RMS 50Hz. 1MIN  
 2 ENVIRONMENTAL:  
 2.1 TEMPERATURE RANGE:-40° C +85° C  
 2.2 RELATIVE HUMIDITY:90 95%(40±2° C)



3.MATERIAL LIST:

3	SHELL	1	STAINLESS STEEL	NI PLATED
2	CONTACT	8	PHOSPHOR BRONZE	AU 3U/SN PLATED
1	HOUSING	1	THERMOPLASTIC	(UL 94V-0)
No.	PART NAME	QTY	MATERIAL	REMARK

THIS DOCUMENT IS THE SOLE PROPERTY OF BBJconn Technology Co.,Ltd. Corporation AND SHOULD NOT BE USED IN WHOLE OR IN PART WITHOUT PRIOR WRITTEN PERMISSION.

PDWG.NO: 0409-1

**深圳市步步精科技有限公司**

NAME: RJ45 8P 沉板4.20 L=15.30 DIP 带灯(左绿右黄)

APPD. JM\_Zheng

CHKD. LYX

DR. SGF

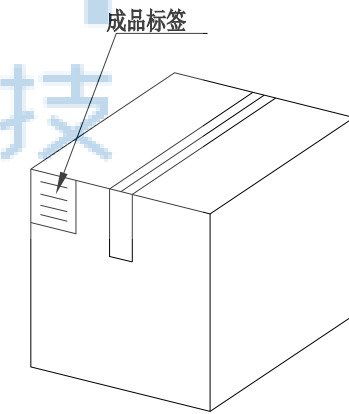
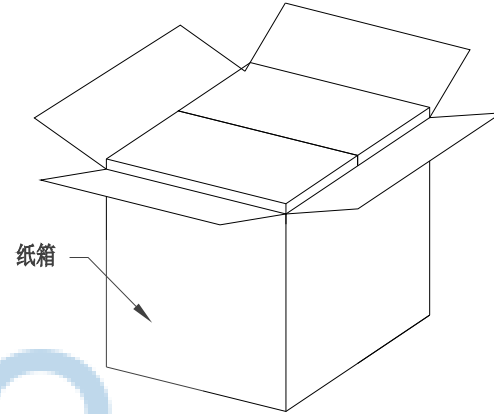
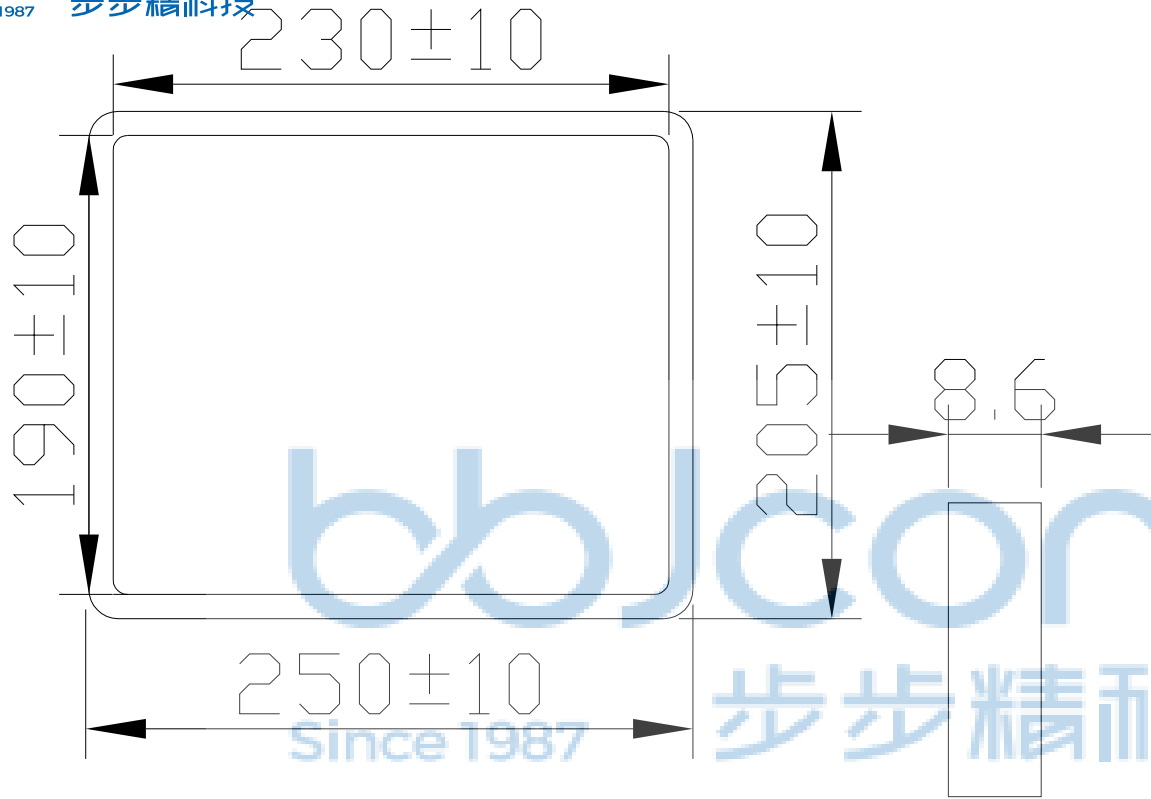
PJ. NO.: RJ.03.22-21-A002

SIZE: A4 DRW NO.:

FINISH: SEE NOTES MAT'L.: SEE NOTES

SCALE: N/A REV.: A0 UNIT: mm PAGE: 1/2

REV.	ECN NO	CONTENT	DATE	ENGINEER
A0		Initial release	/	SGF



纸箱规格: 350\*210\*290

1. 包装要求:
- 1.1 每盒吸塑盒包装100 pcs;
  - 1.2 每20盘放一箱, 共计2000PCS;
  - 1.3 纸箱外贴上标签

THIS DOCUMENT IS THE SOLE PROPERTY OF BBJconn Technology Co.,Ltd. Corporation AND SHOULD NOT BE USED IN WHOLE OR IN PART WITHOUT PRIOR WRITTEN PERMISSION.		深圳市步步精科技有限公司 .X: $\pm 0.38$ .X': $\pm 3'$ .XX: $\pm 0.25$ .X'': $\pm 2'$ .XXX: $\pm 0.13$ .XX': $\pm 1'$		NAME: RJ45 8P 沉板4.20 L=15.30 DIP 带灯(左绿右黄)	
APPD.	JM_Zheng	PJ. NO.: RJ.03.22-21-A002 SIZE: A4   DRW NO.:		FINISH: SEE NOTES   MAT'L.: SEE NOTES	
CHKD.	LYX	SCALE: N/A		REV.: A0	UNIT: mm
PDWG.NO:	0409-1	DR.	SGF	PAGE: 2/2	