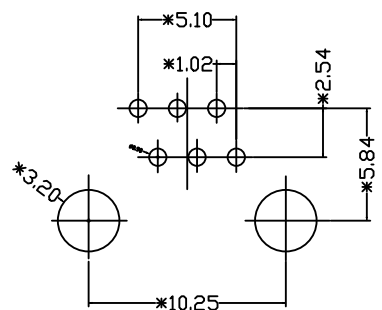
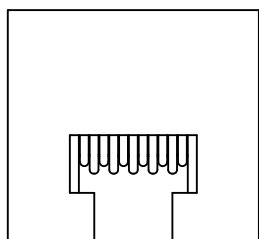


REV.	ECN NO.	CONTENT	DATE	ENGINEER
A0				



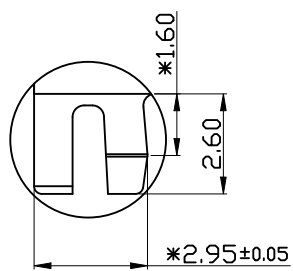
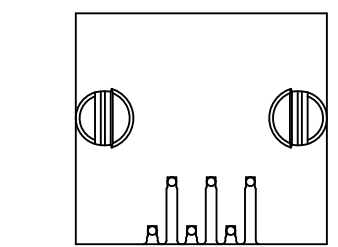
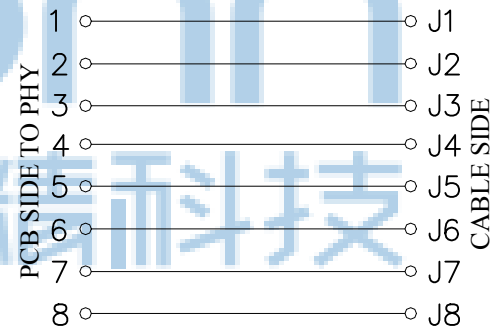
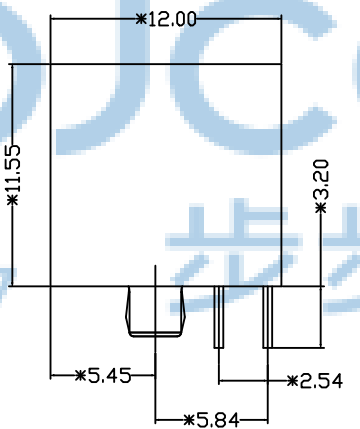
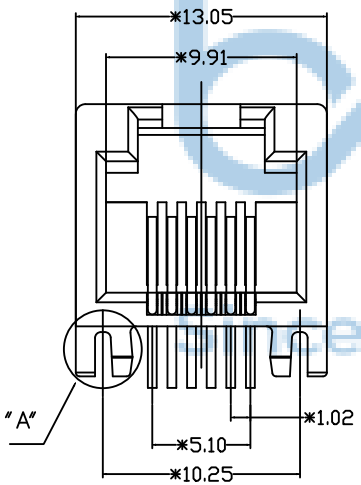
PCB LAYOUT  
THICKNESS=1.6mm



**MATERIAL:**  
HOUSING: PBT PA46, BLACK  
TERMINAL: PHOSPHOR BRONZE Ø0.46MM  
G/FU\*GOLD PLATING

**MACHANICAL:**  
DURABILITY: 750 CYCLES MIN, 12.5MM/MINUTE.  
INSERTION FORCE: 2.2KG.F MAX.  
RETENTION STRENGTH: 7.7KG.F BETWEEN JACK AND PLUG.  
OPERATING TEMPERATURE: -40 °C ~ +85 °C.  
STORAGE TEMPERATURE: -40°C ~ +85°C.  
ALL CRITICAL DIMENSIONS WITH "\*"

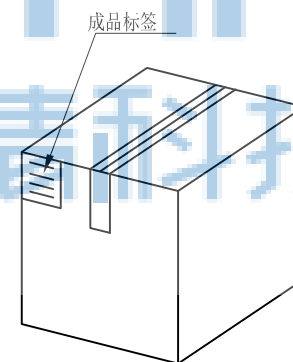
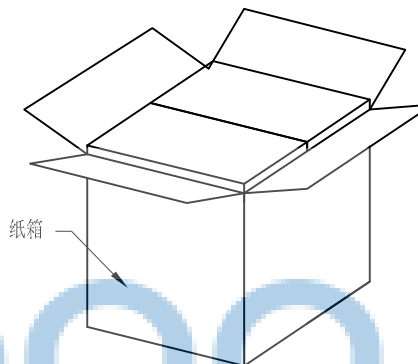
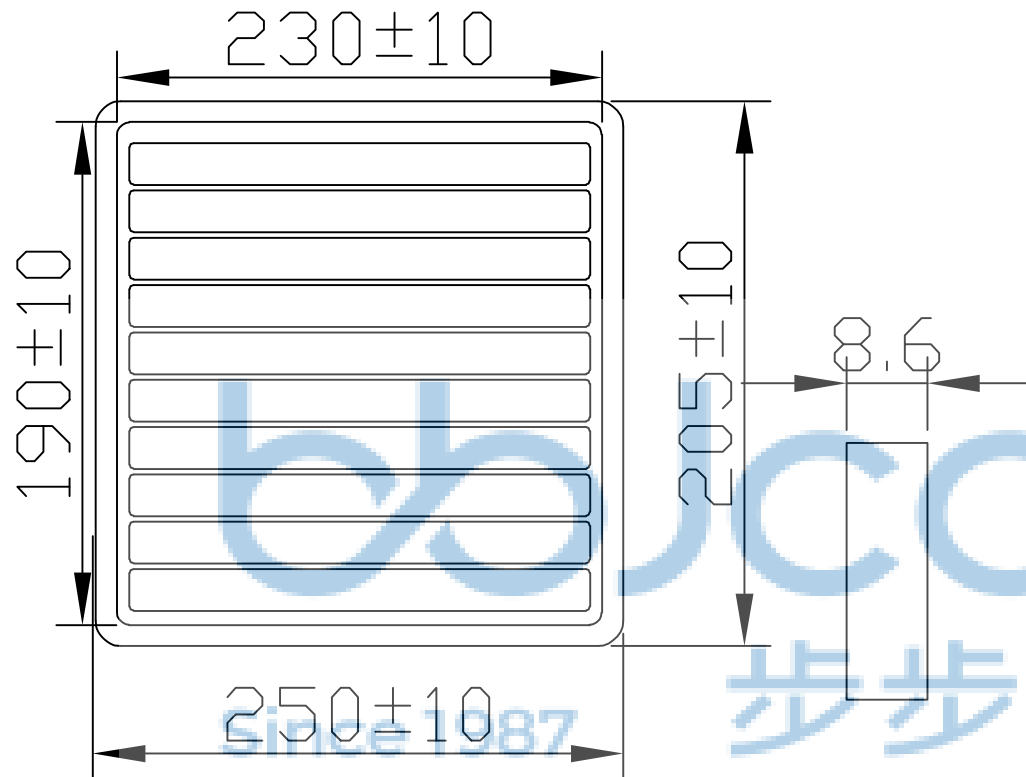
**ELECTRICAL:**  
VOLTAGE: 125 VOLTS AC.  
CURRENT RATING : 1.5AMP.  
DIELECTRIC STRENGTH : 1000 VAC RMS 50HZ OR 60HZ, 1 MIN.  
INSULATION RESISTANCE: 500 MEGA OHMS MIN. INITIAL  
AFTER 500V DC FOR 1 MINUTE.  
CONTACT RESISTANCE: SINGLE TERMINAL 30 MILLIOHMS MAX.  
INITIAL 50 MILLIOHMS MAX. AFTER DURABILITY TEST.



DETAIL A  
SCALE 2:1

THIS DOCUMENT IS THE SOLE PROPERTY OF BBJconn Technology Co.,Ltd Corporation AND SHOULD NOT BE USED IN WHOLE OR IN PART WITHOUT PRIOR WRITTEN PERMISSION.		深圳市步步精科技有限公司 .X: ±0.38    X': ±3' .XX: ±0.25    .X': ±2' .XXX: ±0.13    .XX': ±1'		NAME: 网络接口 RJ45 6P6C 1x1 90度 L=12.0 无灯 无弹 全塑 PBT黑色 DIP	
APPD.	JM_Zheng	PJ. NO.: RJ.01.12-11-1009 SIZE: A4   DRW NO.:	FINISH: SEE NOTES   MAT'L.: SEE NOTES		
CHKD.	TSP		SCALE: N/A	REV.: A3	UNIT: mm   PAGE: 1/2
PDWG.NO:	0067-1	DR.	LYX		

REV.	ECN NO	CONTENT	DATE	ENGINEER
A0				



纸箱规格: 350\*210\*290

1. 包装要求:

- 1.1 每盒吸塑盒包装120PCS;
- 1.2 每48盘放一箱, 共计5760PCS;
- 1.3 纸箱外贴上标签

THIS DOCUMENT IS THE SOLE PROPERTY OF BBJconn Technology Co.,Ltd Corporation AND SHOULD NOT BE USED IN WHOLE OR IN PART WITHOUT PRIOR WRITTEN PERMISSION.		深圳市步步精科技有限公司 .X: ±0.38    .X': ±3" .XX: ±0.25    .X': ±2" .XXX: ±0.13    .XX': ±1"		NAME: 网络接口 RJ45 6P6C 1x1 90度 L=12.0 无灯 无弹 全塑 PBT黑色 DIP	
APPD.	JM_Zheng	PJ. NO.: RJ.01.12-11-1009 SIZE: A4 DRW NO.:	FINISH: SEE NOTES    MAT'L.: SEE NOTES		
CHKD.	TSP		SCALE: N/A    REV.: A3    UNIT: mm    PAGE: 2/2		
PDWG. NO. /	0067-1	DR.	LYX		