

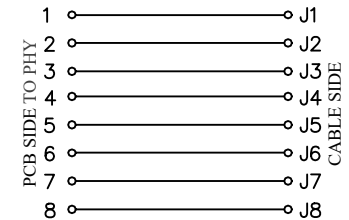
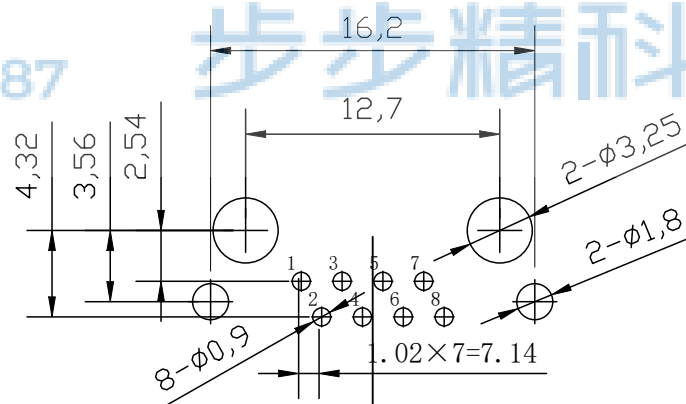
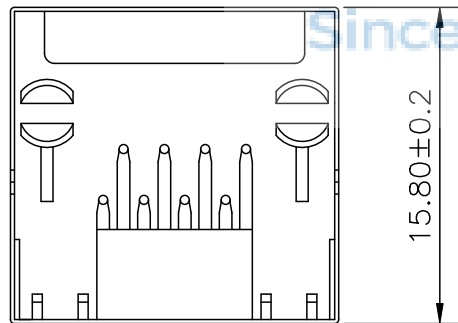
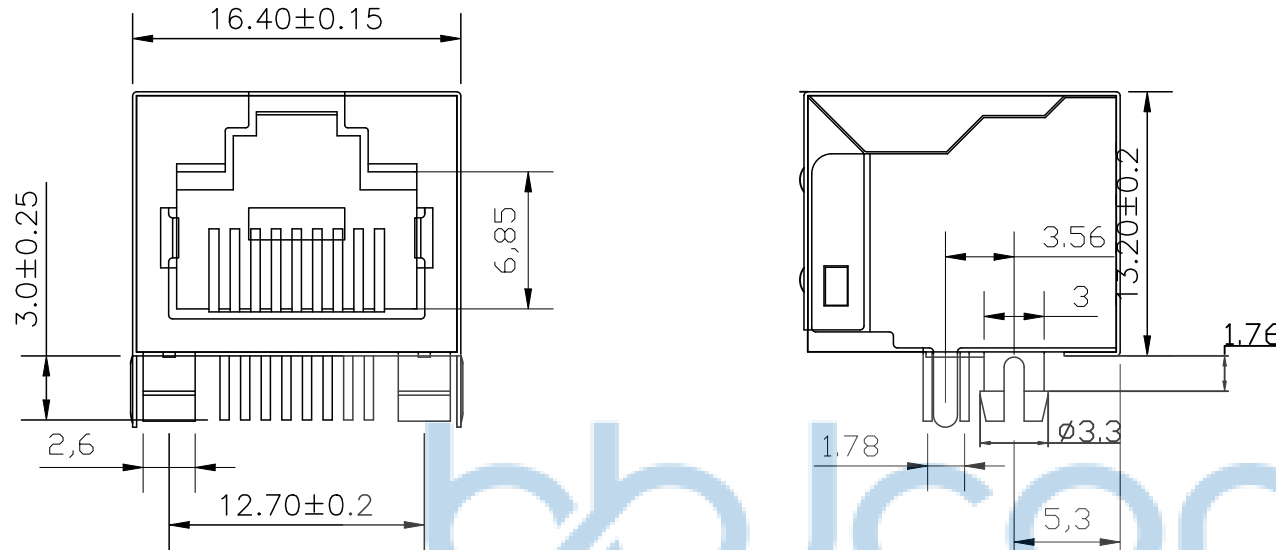
REV.	ECN NO.	CONTENT	DATE	ENGINEER
A0		Initial Release	/	ZY

MATERIAL:
HOUSING: PA46, PBT, BLACK.
TERMINAL: PHOSPHOR BRONZE $\varnothing 0.46\text{MM}$
G/FU" GOLD PLATING

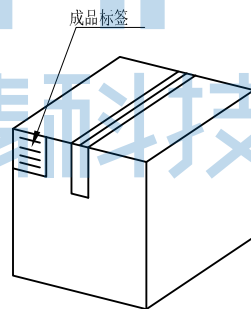
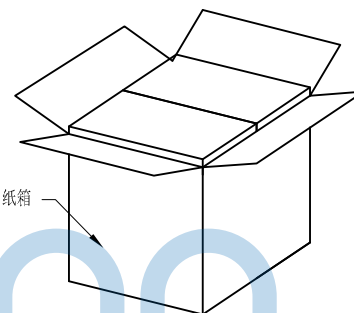
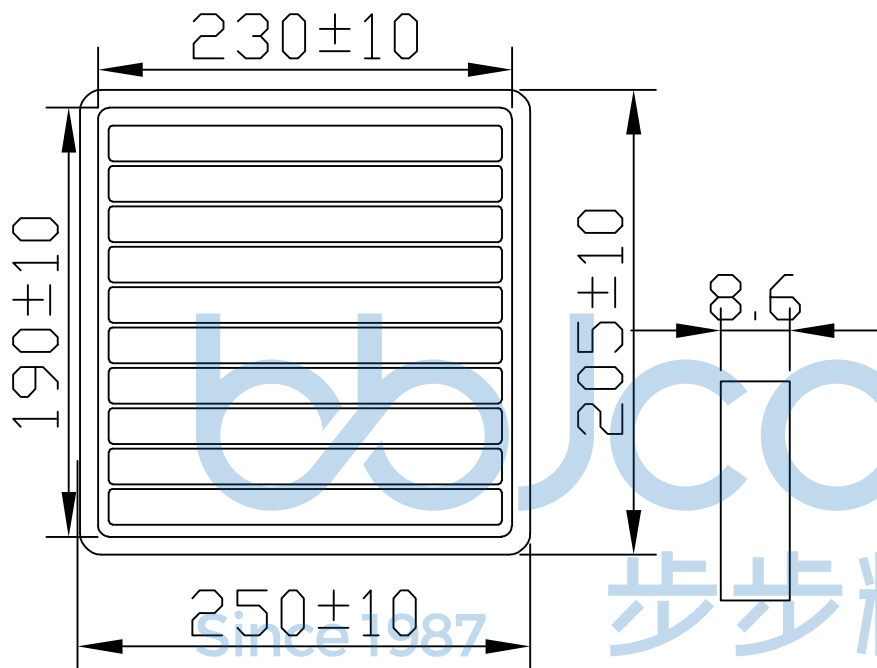
SHIELD: C2680, T=0.20MM, 20 MIN NICKEL PLATING
NO ALL AREA

MACHANICAL:
DURABILITY: 750 CYCLES MIN, 12.5MM/MINUTE.
INSERTION FORCE: 2.2KG.F MAX.
RETENTION STRENGTH: 7.7KG.F BETWEEN JACK AND PLUG.
OPERATING TEMPERATURE: $-40^{\circ}\text{C} \sim +85^{\circ}\text{C}$.
STORAGE TEMPERATURE: $-40^{\circ}\text{C} \sim +85^{\circ}\text{C}$.
ALL CRITICAL DIMENSIONS WITH "*"

VOLTAGE: 125 VOLTS AC.
CURRENT RATING: 1.5AMP.
DIELECTRIC STRENGTH: 1000 VAC RMS 50HZ OR 60HZ, 1MIN.
INSULATION RESISTANCE: 500 MEGA OHMS MIN. INITIAL
AFTER 500V DC FOR 1 MINUTE.
CONTACT RESISTANCE: SINGLE TERMINAL 30 MILLIOHMS MAX.
INITIAL 50 MILLIOHMS MAX. AFTER
DURABILITY TEST.



THIS DOCUMENT IS THE SOLE PROPERTY OF BBJconn Technology Co., Ltd. Corporation AND SHOULD NOT BE USED IN WHOLE OR IN PART WITHOUT PRIOR WRITTEN PERMISSION.		深圳市步步精科技有限公司	
.X: ±0.38 .XX: ±0.25 .XXX: ±0.13		X': ±3' .X': ±2' .XX': ±1'	
APPD.	JM_Zheng	NAME: RJ45 1x1 90度 L=15.80 不带滤波 无灯 无弹 带壳 全包 DIP	
CHKD.	LYX	PJ. NO.: RJ.01.22-11-1003	
DR.	ZY	SIZE: A4 DRW NO.:	
PDWG.NO: 0067-1		FINISH: SEE NOTES MAT'L.: SEE NOTES	
		SCALE: N/A REV.: A0 UNIT: mm PAGE: 1/2	



纸箱规格: 350*210*290



1. 包装要求:

- 1.1 每盒吸塑盒包装100 pcs;
- 1.2 每 20 盘放一箱, 共计 2000 PCS;
- 1.3 纸箱外贴上标签



THIS DOCUMENT IS THE SOLE PROPERTY OF BBJconn Technology Co.,Ltd. Corporation AND SHOULD NOT BE USED IN WHOLE OR IN PART WITHOUT PRIOR WRITTEN PERMISSION.		深圳市步步精科技有限公司 .X: ±0.38 X': ±3" .XX: ±0.25 .X': ±2" .XXX: ±0.13 .XX': ±1"		NAME: RJ45 1x1 90度 L=15.80 不带滤波 无灯 无弹 带壳 全包 DIP	
APPD.	JM_Zheng	PJ. NO.: RJ.01.22-11-1003 SIZE: A4 DRW NO.:		FINISH: SEE NOTES MAT'L.: SEE NOTES	
CHKD.	LYX	SCALE: N/A REV.: AO		UNIT: mm	PAGE: 2/2
PDWG.NO:	0067-1	DR.	LHC		