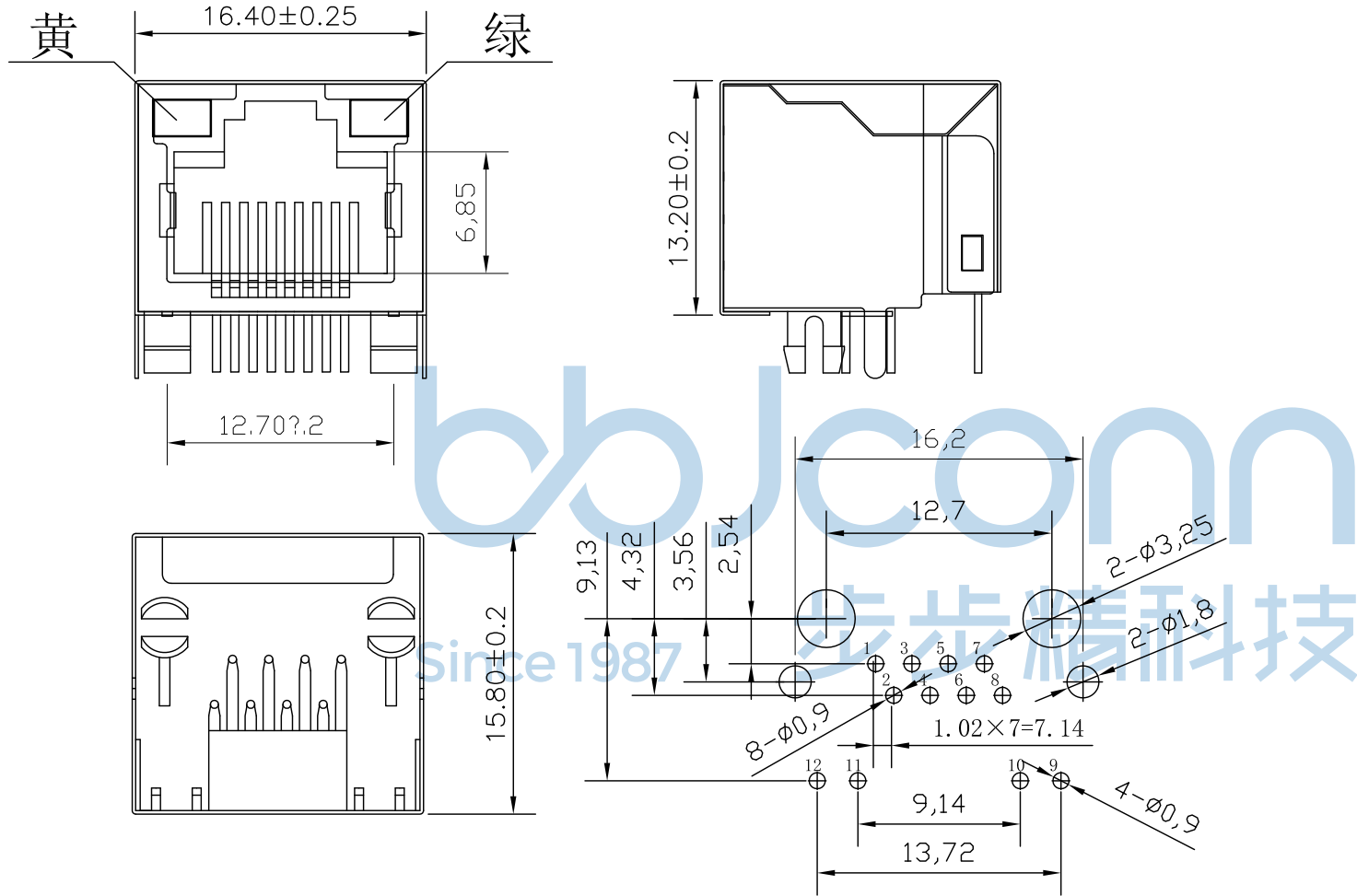


REV.	ECN NO.	CONTENT	DATE	ENGINEER
A0		Initial release	/	TSP

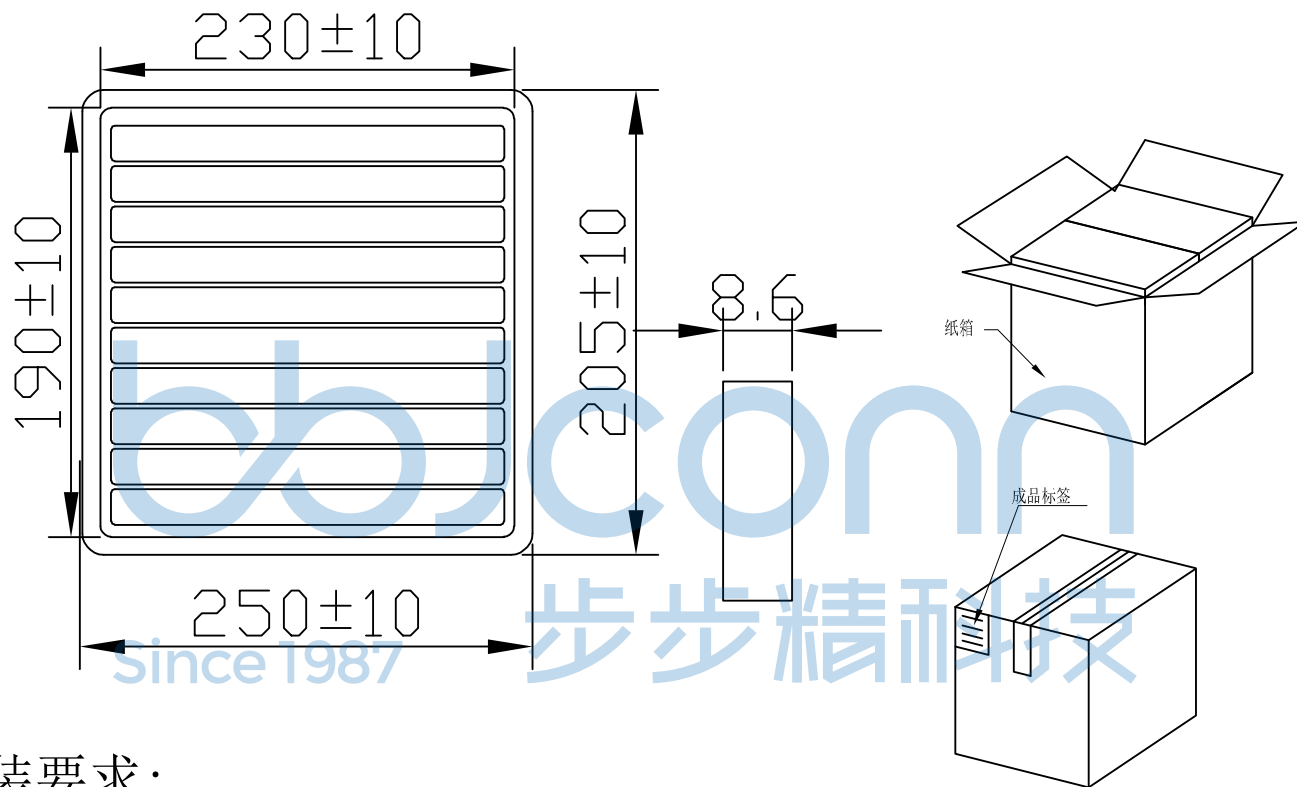
Electrical  
 Current rating: 1.5 AMPS  
 Voltage rating: 125V AC  
 Insulation resistance:  
 500 MEGOHMS MIN @500V DC  
 Withstanding voltage:  
 1000V AC RMS 50Hz OR 60Hz. 1MIN.  
 Contact rating: :30 MILLIOHMS MAX.  
 Working temperature: -40°C ~ +70°C

机构特性:

1. 塑壳材质: PBT、PA46、PA66 黑色
2. 圆针材质: 磷青铜,  $\phi$  0.46mm
3. 圆针电镀: 镍底, 表面全部镀金
4. 外壳材质: 铜壳, 厚度0.2, 镀镍
5. 可靠性: 最少750次插拔
6. 插入力: 30N
7. 相对湿度: <80%



THIS DOCUMENT IS THE SOLE PROPERTY OF BBJconn Technology Co.,Ltd. Corporation AND SHOULD NOT BE USED IN WHOLE OR IN PART WITHOUT PRIOR WRITTEN PERMISSION.		<b>深圳市步步精科技有限公司</b>	
.X: ±0.38 .XX: ±0.25 .XXX: ±0.13		X': ±3' .X': ±2' .XX': ±1'	
APPD. JM_Zheng		NAME: 网络接口 RJ56 1x1 8P8C 90度 L=15.80 不带滤波 带灯 左黄右绿 无弹 全包 DIP	
CHKD. LYX		PJ. NO.: RJ.01.22-21-1001	
DR. TSP		SIZE: A4 DRW NO.:	
PDWG.NO: 0067-1		FINISH: SEE NOTES MAT'L.: SEE NOTES	
		SCALE: N/A REV.: A0 UNIT: mm PAGE: 1/2	



纸箱规格: 350\*210\*290

1. 包装要求:
- 1.1 每盒吸塑盒包装100pcs;
  - 1.2 每20盘放一箱, 共计2000PCS;
  - 1.3 纸箱外贴上标签。

THIS DOCUMENT IS THE SOLE PROPERTY OF BBJconn Technology Co.,Ltd. Corporation AND SHOULD NOT BE USED IN WHOLE OR IN PART WITHOUT PRIOR WRITTEN PERMISSION.		深圳市步步精科技有限公司	
PDWG.NO: 0067-1		.X: ±0.38 .XX: ±0.25 .XXX: ±0.13	X': ±3" .X': ±2" .XX': ±1"
APPD.	JM_Zheng	NAME: 网络接口 RJ56 1x1 8P8C 90度 L=15.80 不带滤波 带灯 左黄右绿 无弹 全包 DIP	
CHKD.	LYX	PJ. NO.: RJ.01.22-21-1001	
DR.	TSP	SIZE: A4 DRW NO.:	
		FINISH: SEE NOTES MAT'L.: SEE NOTES	
		SCALE: N/A REV.: A0 UNIT: mm PAGE: 2/2	