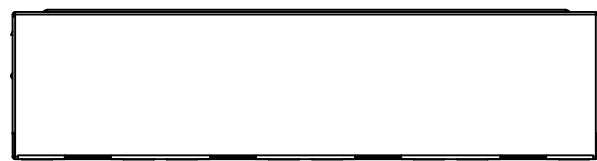
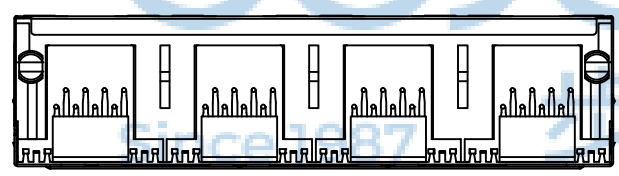
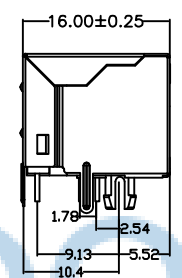
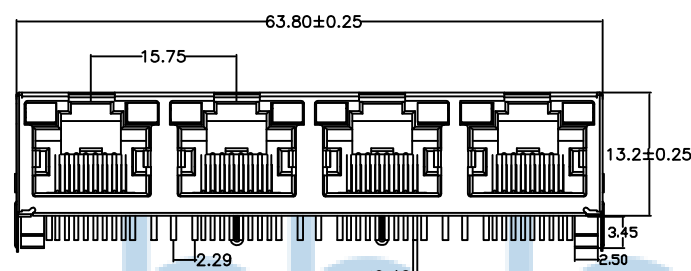


REV.	ECN NO	CONTENT	DATE	ENGINEER
A0			2023 20/04	

**MATERIAL:**  
HOUSING: PA46, BLACK.  
TERMINAL: PHOSPHOR BRONZE Ø0.46MM  
G/FU" GOLD PLATING  
  
SHIELD: C2680, T=0.20MM, 20 MIN NICKEL PLATING  
NO ALL AREA

**MACHANICAL:**  
DURABILITY: 750 CYCLES MIN, 12.5MM/MINUTE.  
INSERTION FORCE: 2.2KG.F MAX.  
RETENTION STRENGTH : 7.7KG.F BETWEEN JACK AND PLUG  
OPERATING TEMPERATURE: -40 °C~+85 °C.  
STORAGE TEMPERATURE: -40°C~+85°C.  
ALL CRITICAL DIMENSIONS WITH "\*"

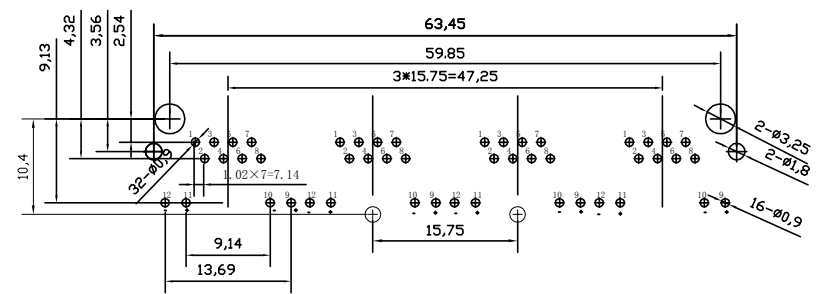
**ELECTRICAL:**  
VOLTAGE: 125 VOLTS AC.  
CURRENT RATING : 1.5AMP.  
DIELECTRIC STRENGTH : 1000 VAC RMS 50HZ OR 60HZ, 1 MIN.  
INSULATION RESISTANCE: 500 MEGA OHMS MIN. INITIAL  
AFTER 500V DC FOR 1 MINUTE.  
CONTACT RESISTANCE: SINGLE TERMINAL 30 MILLIOHMS MAX.  
INITIAL 50 MILLIOHMS MAX. AFTER  
DURABILITY TEST.



**LED Specification**

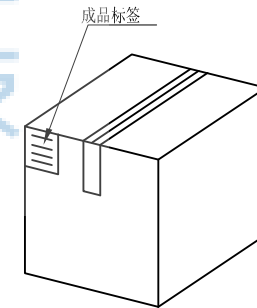
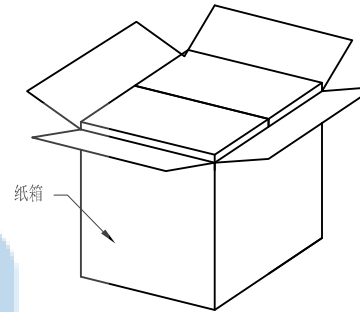
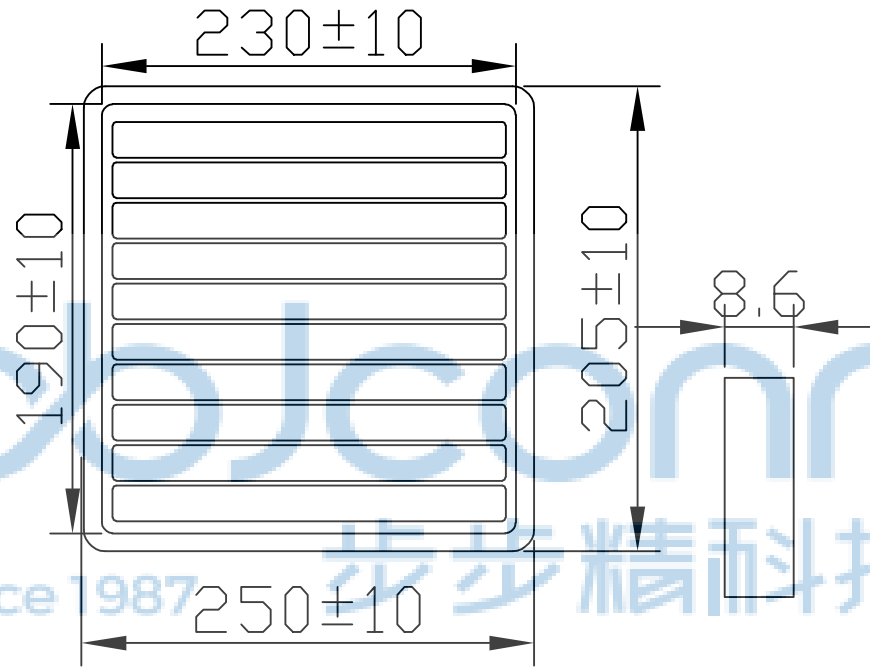
Standard LED Color	LED Wavelength	Foward(A)	Foward(V)
Green	568nm	20mA	1.6-2.6V
Yellow	585nm	20mA	1.6-2.6V

- 1 ○ ○ J1
  - 2 ○ ○ J2
  - 3 ○ ○ J3
  - 4 ○ ○ J4
  - 5 ○ ○ J5
  - 6 ○ ○ J6
  - 7 ○ ○ J7
  - 8 ○ ○ J8
- CABLE SIDE



THIS DOCUMENT IS THE SOLE PROPERTY OF BBJconn Technology Co., Ltd. Corporation AND SHOULD NOT BE USED IN WHOLE OR IN PART WITHOUT PRIOR WRITTEN PERMISSION.		<b>深圳市步步精科技有限公司</b>	
PDWG.NO: 0067-1	DR. LHC	.X: ±0.38 .XX: ±0.25 .XXX: ±0.13 X*: ±3' .X*: ±2' .XX*: ±1'	NAME: RJ45 90度 56LED-8P8C 1X4 L=63.80 带灯 左黄右绿 无弹 全包 DIP PA46黑胶 铜壳 APPD. JM_Zheng CHKD. LYX PJ. NO.: RJ.01.22-21-1010 SIZE: A4 DRW NO.: FINISH: SEE NOTES MAT'L.: SEE NOTES SCALE: N/A REV.: A3 UNIT: mm PAGE: 1/2

REV.	ECN NO	CONTENT	DATE	ENGINEER
A0			2023 20/04	



纸箱规格: 350\*210\*290

1. 包装要求:

- 1.1 每盒吸塑盒包装 20 pcs;
- 1.2 每 50 盘放一箱, 共计 1000 PCS;
- 1.3 纸箱外贴上标签



THIS DOCUMENT IS THE SOLE PROPERTY OF BBJconn Technology Co.,Ltd. Corporation AND SHOULD NOT BE USED IN WHOLE OR IN PART WITHOUT PRIOR WRITTEN PERMISSION. PDWG.NO: 0067-1	深圳市步步精科技有限公司		NAME: RJ45 90度 56LED-8P8C 1X4 L=63.80 带灯 左黄右绿 无弹 全包 DIP PA46黑胶 铜壳	
	.X: ±0.38	.X': ±3'	PJ. NO.: RJ.01.22-21-1010	
	.XX: ±0.25	.X'': ±2'	SIZE: A4 DRW NO.:	
	.XXX: ±0.13	.X''': ±1'	FINISH: SEE NOTES MAT'L.: SEE NOTES	
APPD. JM_Zheng			SCALE: N/A	PAGE: 2/2
CHKD. LYX			REV.: A3	UNIT: mm
DR. LHC				