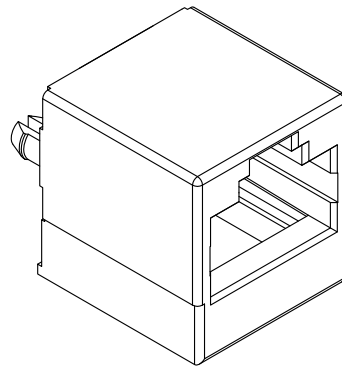
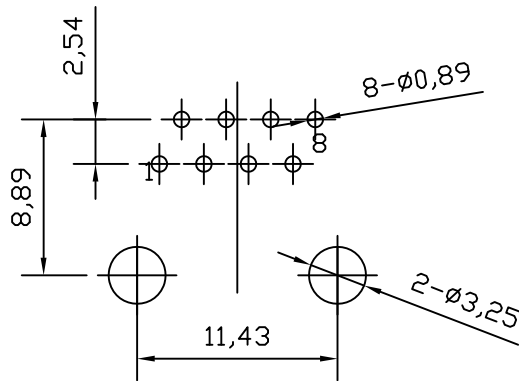
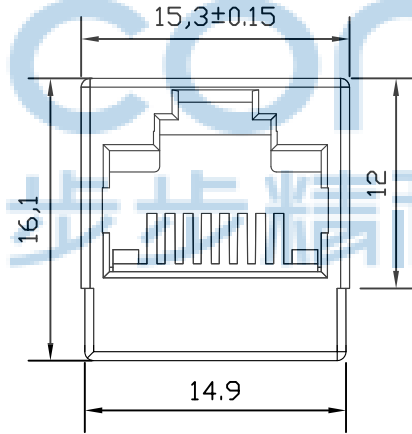
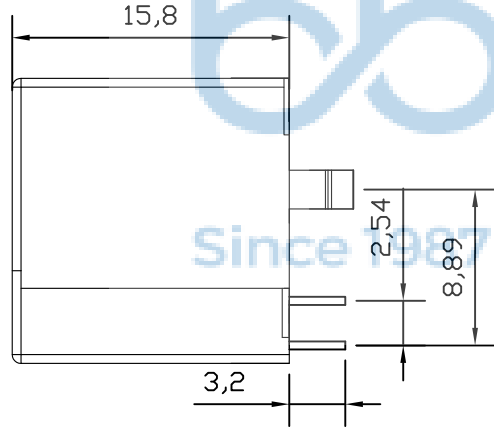
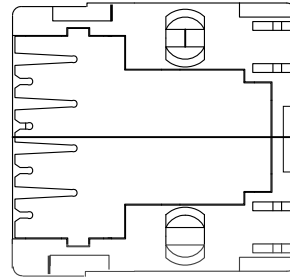
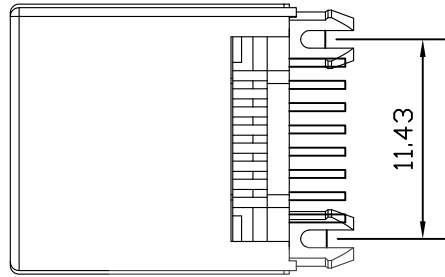


REV.	ECN NO	CONTENT	DATE	ENGINEER
A0		Initial release	/	SGF



Electrical
 Current rating: 1.5 AMPS
 Voltage rating: 125V AC
 Insulation resistance: $\geq 500\text{m}\Omega$
 Withstanding voltage: AC 1000V MS
 50HZ 或 60Hz Min
 Contact rating: $\leq 30\text{ m}\Omega$
 Working temperature: $-40^{\circ}\text{C} \sim +70^{\circ}\text{C}$

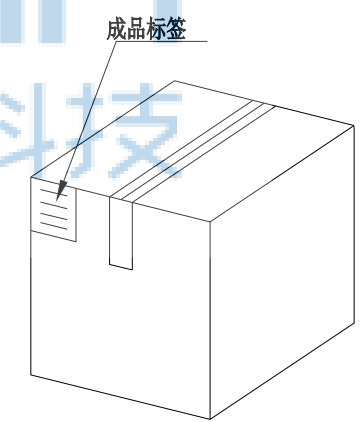
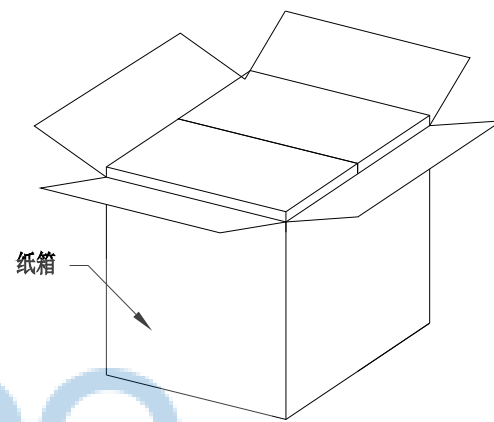
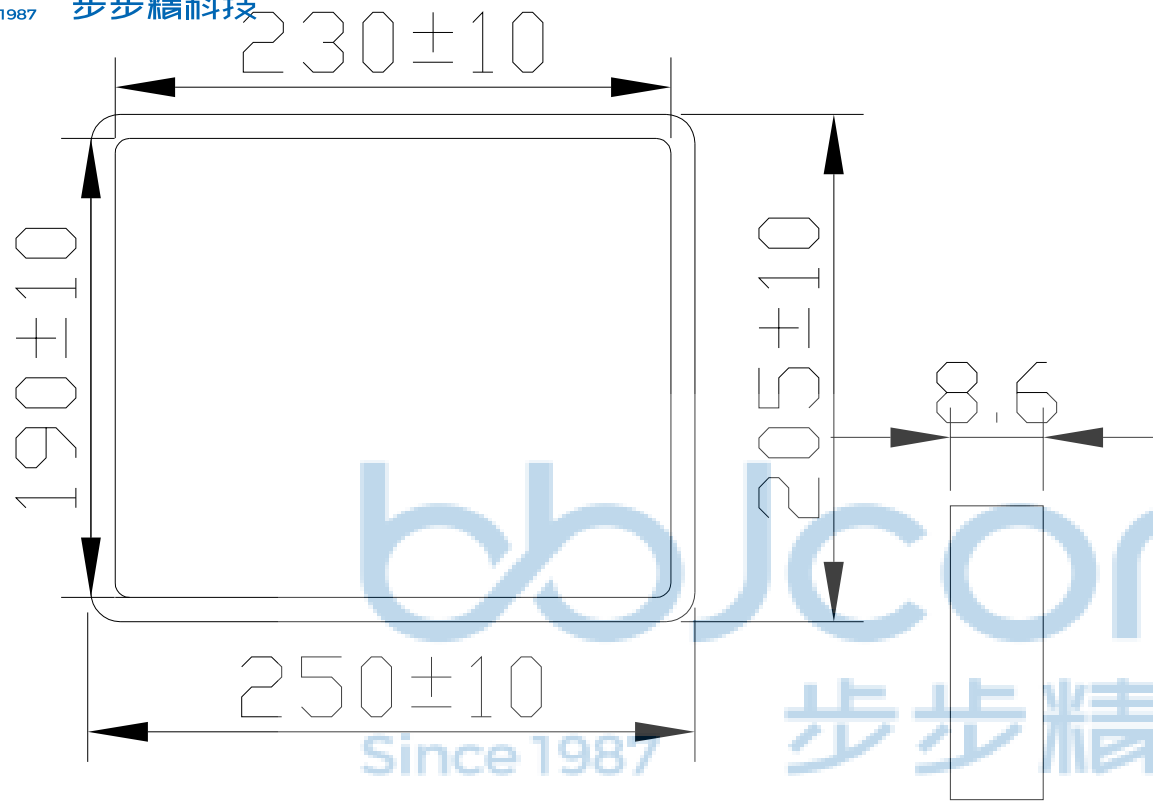
机构特性:

1. 塑壳材质: PBT、PA46、PA66黑色
2. 圆针材质: 磷青铜, $\phi 0.46\text{mm}$
3. 圆针电镀: 镍底, 表面全部镀金
4. 外壳材质: 黄铜, 厚度0.2, 镀镍
5. 可靠性: 最少750次插拔
6. 插入力: 30N
7. 相对湿度: $< 80\%$



THIS DOCUMENT IS THE SOLE PROPERTY OF BBJconn Technology Co., Ltd. Corporation AND SHOULD NOT BE USED IN WHOLE OR IN PART WITHOUT PRIOR WRITTEN PERMISSION.		深圳市步步精科技有限公司 .X: ± 0.38 .XX: ± 0.25 .XXX: ± 0.13 X': $\pm 3'$.X': $\pm 2'$.XX': $\pm 1'$		NAME: 网络接口 RJ5224 8P8C 1x1 180度 H=15.80 无灯 无弹 不带滤波 DIP 全塑 PA46黑色 单口	
APPD.	JM_Zheng	PJ. NO.: RJ.02.12-11-1001		SIZE: A4 DRW NO.:	
CHKD.	LYX	FINISH: SEE NOTES		MAT'L.: SEE NOTES	
PDWG.NO:	0067-1	DR.	SGF	SCALE: N/A	REV.: A0
				UNIT: mm	PAGE: 1/2

REV.	ECN NO	CONTENT	DATE	ENGINEER
A0		Initial release	/	SGF



1. 包装要求:
- 1.1 每盒吸塑盒包装100pcs;
 - 1.2 每20盘放一箱, 共计2000PCS;
 - 1.3 纸箱外贴上标签

纸箱规格: 350*210*290

THIS DOCUMENT IS THE SOLE PROPERTY OF BBJconn Technology Co.,Ltd. Corporation AND SHOULD NOT BE USED IN WHOLE OR IN PART WITHOUT PRIOR WRITTEN PERMISSION.		深圳市步步精科技有限公司 .X: ± 0.38 .X': $\pm 3'$.XX: ± 0.25 .X': $\pm 2'$.XXX: ± 0.13 .XX': $\pm 1'$		NAME: 网络接口 RJ5224 8P8C 1x1 180度 H=15.80 无灯 无弹 不带滤波 DIP 全塑 PA46黑色 单口	
APPD.	JM_Zheng	PJ. NO.: RJ.02.12-11-1001 SIZE: A4 DRW NO.:		FINISH: SEE NOTES MAT'L.: SEE NOTES	
CHKD.	LYX	SCALE: N/A		REV.: A0	UNIT: mm
PDWG.NO:	0067-1	DR.	SGF	PAGE: 2/2	