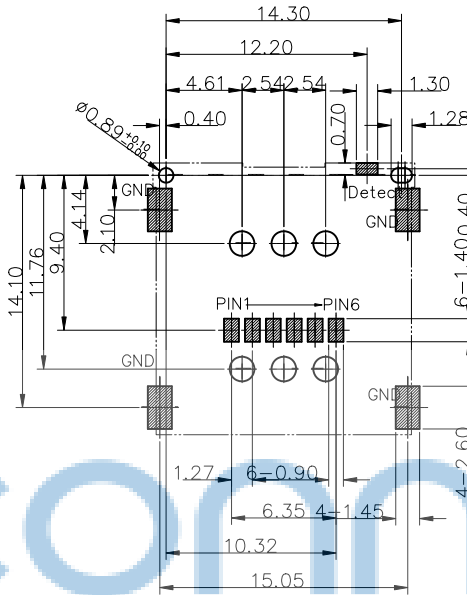
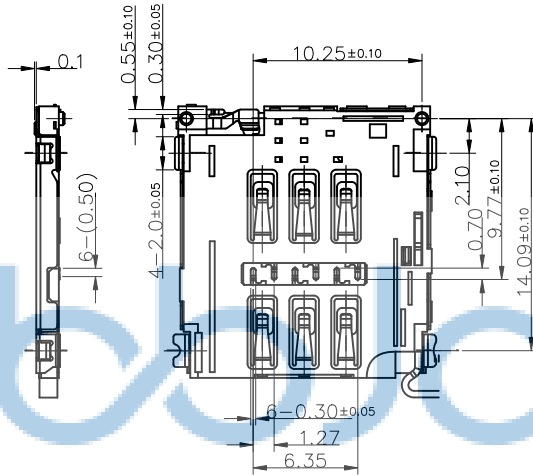
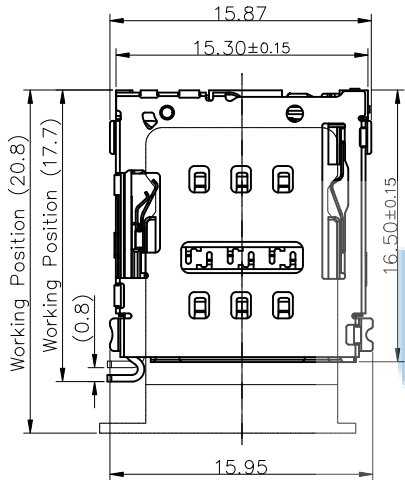
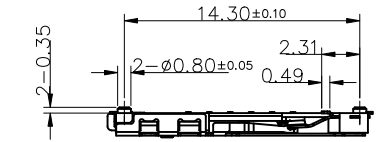




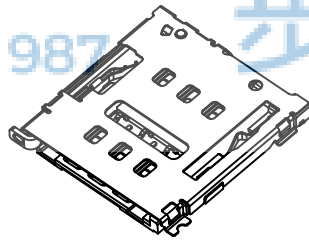
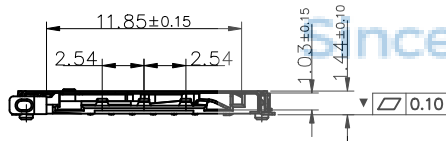
REV.	ECN NO.	CONTENT	DATE	ENGINEER
A0				

- NOTE:
- △ Material & Finish See Table;
  - 2. Circuit Diagram For Switch
- GND Detect Inserted Card  
 GND Detect Withdrawal Card (Normal)
- 3. Characteristic:
    - 3-1. Current Rating :1A max.
    - 3-2. Contact Resistance:50mOhms max
    - 3-3. Insulation Resistance:100MOhms min./500VDC
    - 3-4. Dielectric Withstanding Voltage:500VAC/1minute
    - 3-5. Mating Force: 10N Max, Withdrawal Force: 1N Min.;
    - 3-6. Durability: 1500 Cycles
    - 3-7. Operating Temperature:-25 °C to+85 °C
  - 4. Critical Dimensions Marked " " Should Check By QC.
  - 5. Please Contact GOSTAR Sales Representative to Verify Product Details.

PIN 1	# C1: VCC
PIN 2	# C5: Grand
PIN 3	# C2: Reset
PIN 4	# C6: VPP
PIN 5	# C3: Clock
PIN 6	# C7: I/O

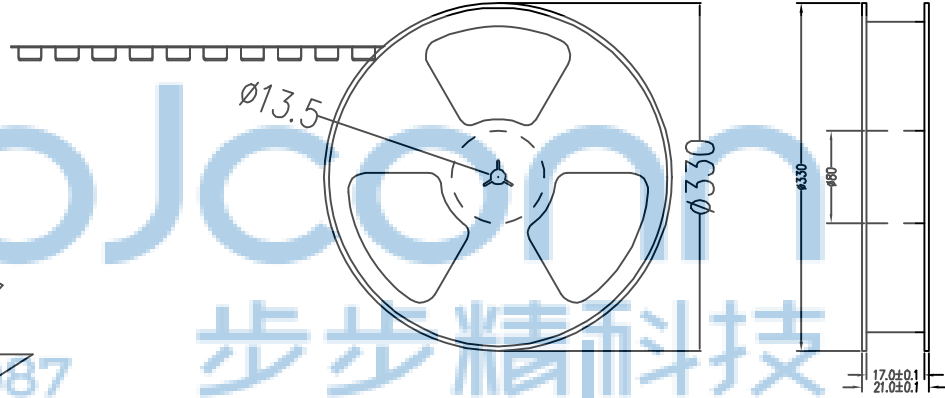
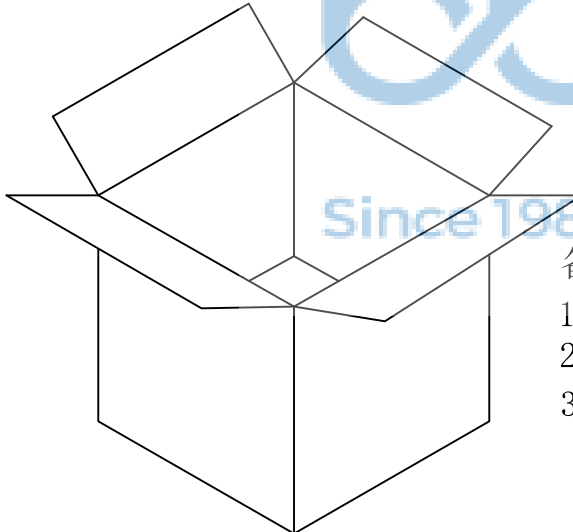
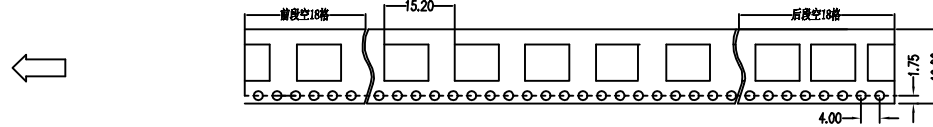
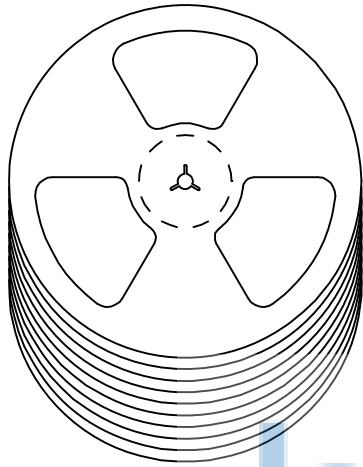


Recommended PCB Layout  
Tolerance: ±0.05



6	Shell	Stainless Steel	Nickel Under Plated Overall.
5	Lever	Stainless Steel	
4	Cam	Stainless Steel	
3	Housing	Thermoplastics	Black,UL94V-0
2	Detect	Copper Alloy	Gold Flash on Solder Tails and Contact Area; Nickel Under Plated Overall.
1	Terminal	Copper Alloy	Gold Flash on Solder Tails and Contact Area; Nickel Under Plated Overall.
Item	Part Name	Material	Description

THIS DOCUMENT IS THE SOLE PROPERTY OF BBJconn Technology Co.,Ltd. Corporation AND SHOULD NOT BE USED IN WHOLE OR IN PART WITHOUT PRIOR WRITTEN PERMISSION.		深圳市步步精科技有限公司 .X: ±0.38 X': ±3' .XX: ±0.25 .X': ±2' .XXX: ±0.13 .XX': ±1'	
APPD.	JM_Zheng	NAME: 卡座 NANO SIM CARD H1.5 6P 15 带检测PIN SMT 带柱	
CHKD.	TSP	PJ. NO.: CD.02.02-14-0006	
PWDG.NO:	0390-1	SIZE: A4 DRW NO.:	
DR.	LYX	FINISH: SEE NOTES MAT'L.: SEE NOTES	
		SCALE: N/A REV.: A3 UNIT: mm PAGE: 1/2	



备注:

1. 包装数量: 1000/PCS/卷, 10卷/箱。
2. 包装袋长度: 每卷前后各空10-20个空格, 中间包装。
3. 材质:  
载体: 聚丙烯 (PS), 阻抗 $10^{6-9} \Omega$   
上带: 聚乙烯 (PET), 阻抗 $10^{6-11} \Omega$   
卷盘: 聚苯乙烯。

纸箱规格: 345\*345\*23MM  
纸箱规格: 345\*345\*35MM

THIS DOCUMENT IS THE SOLE PROPERTY OF BBJconn Technology Co.,Ltd Corporation AND SHOULD NOT BE USED IN WHOLE OR IN PART WITHOUT PRIOR WRITTEN PERMISSION.		深圳市步步精科技有限公司	
.X: $\pm 0.38$ .XX: $\pm 0.25$ .XXX: $\pm 0.13$ X': $\pm 3'$ X'': $\pm 2'$ XX': $\pm 1'$		NAME: 卡座 NANO SIM CARD H1.5 6P I5 带检测PIN SMT 带柱	
APPD.	JM_Zheng	PJ. NO.: CD.02.02-14-0006 SIZE: A4 DRW NO.:	FINISH: SEE NOTES    MAT'L.: SEE NOTES SCALE: N/A    REV.: A3    UNIT: mm    PAGE: 2/2
CHKD.	TSP		
PDWG.NO:	0390-1	DR.	LYX