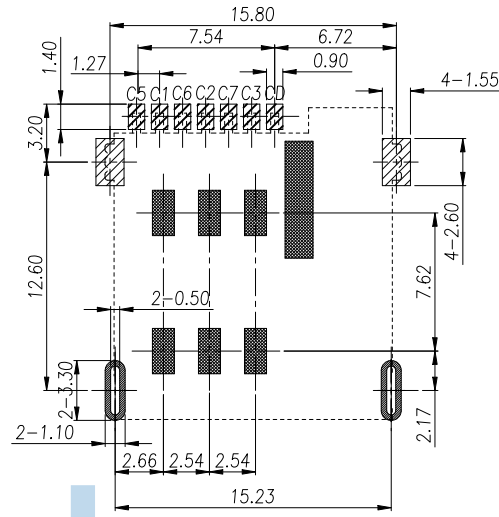
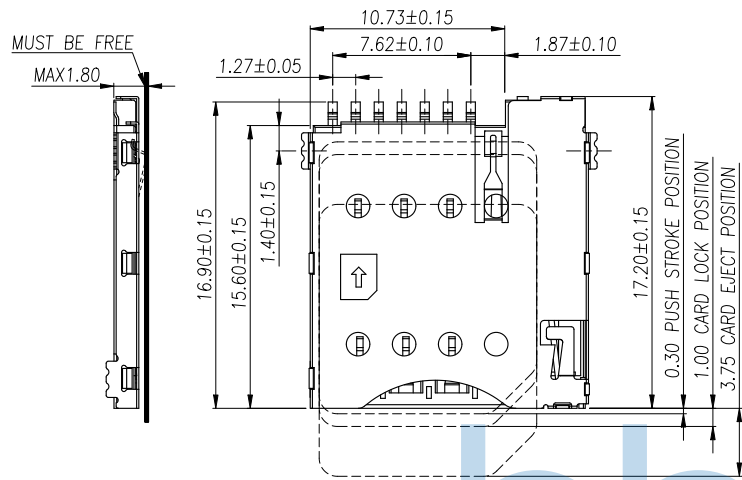
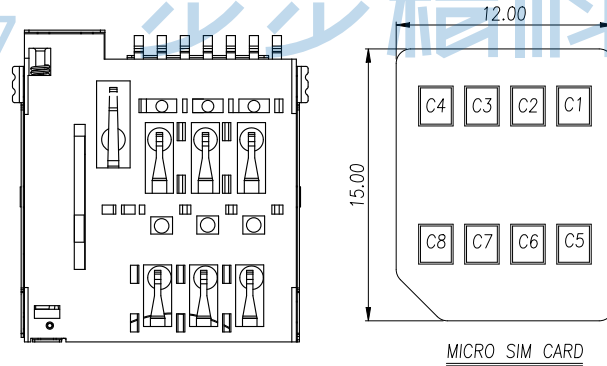
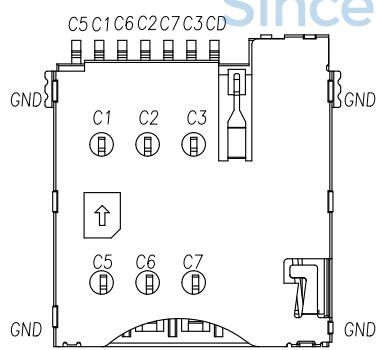
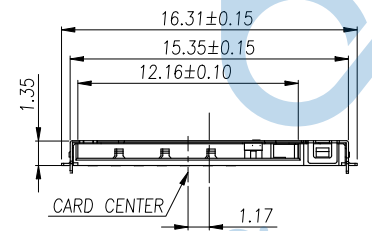


REV.	ECN NO.	CONTENT	DATE	ENGINEER
AO		Initial release	/	TSP



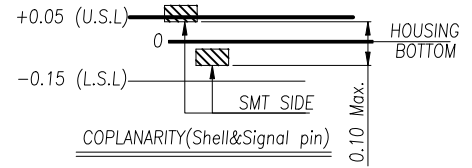
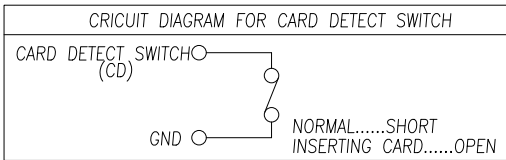
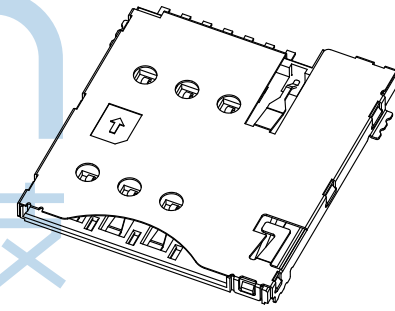
■ CIRCUIT TRACE KEEP OUT AREA
 ■ SMT SOLDER AREA
 THERE SHOULD NOT BE ANY CIRCUITRIES
 IN THE LAYOUT SPACE OF THE PRODUCTS.
RECOMMENDED PCB LAYOUT
 GENERAL TOLERANCE ±0.05



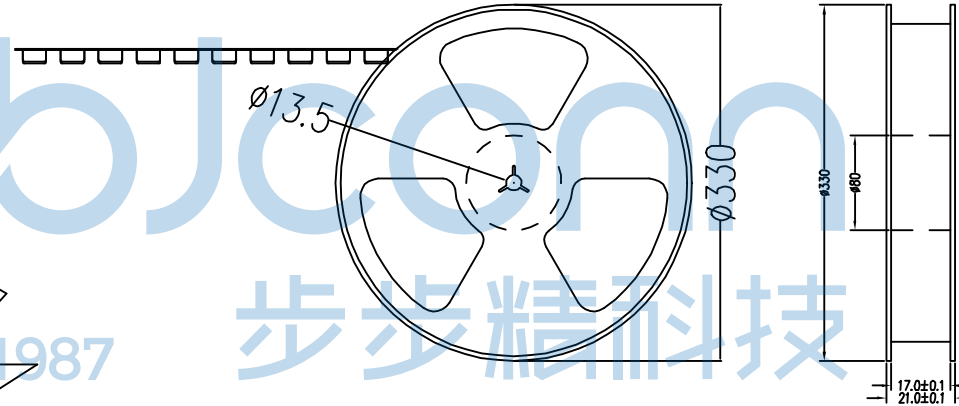
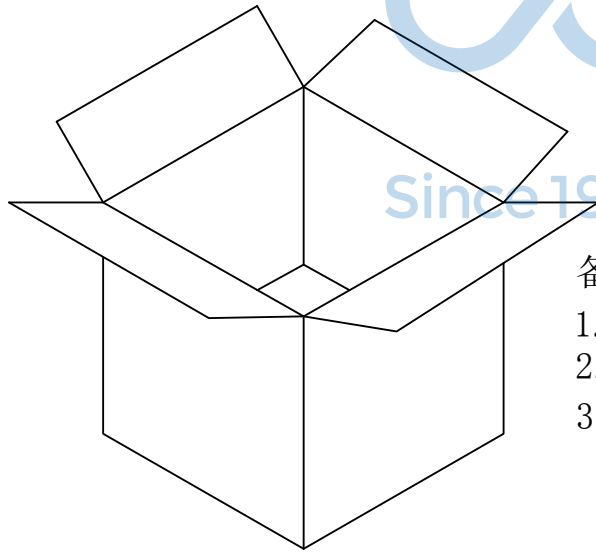
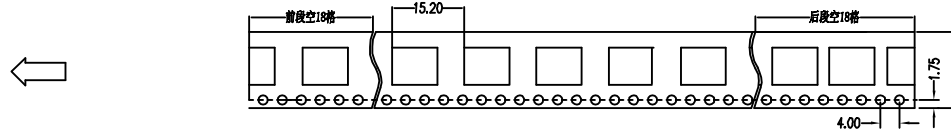
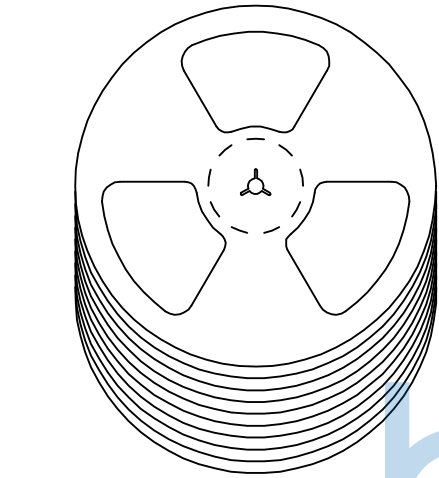
C1:VCC
 C2:RST
 C3:CLK
 C4:RESERVED
 C5:GND
 C6:VPP
 C7:I/O
 C8:RESERVED

NOTES:

- 1.MATERIAL:**
- 1.1 Slider: PA9T GN2330, BLACK, UL94V-0
 - 1.2 Housing: LCP 475, BLACK, UL94V-0
 - 1.3 Terminal: Copper Alloy, T=0.12mm C5210R-EH,
 - 1.4 Shell: Stainless Steel, T=0.12mm SUS301-H
- 2.FINISH:**
- 30u"min NICKEL PLATING OVERALL SURFACE.
 0.6u" MIN. GOLD FLASH PLATED ON CONTACT AREA AND SOLDER AREA
- 3.SPECIALITY:**
- 2.1 Rated Current: 0.5A
 - 2.2 Rated Voltage: 50V RMS
 - 2.3 Contact Resistance: 50m. Max
 - 2.4 Insulation Resistance: 100M. Min 100V DC
 - 2.5 Dielectric Withstanding Voltage: 100V AC
 - 2.6 Solder Ability: 245±5°C; 5±0.5s
 - 2.7 Durability: 5000 cycles
 - 2.8 Operating Condition: Temperature: -30°C~+85°C; Humidity: 80%RH Max



THIS DOCUMENT IS THE SOLE PROPERTY OF BBJconn Technology Co., Ltd. Corporation AND SHOULD NOT BE USED IN WHOLE OR IN PART WITHOUT PRIOR WRITTEN PERMISSION.		深圳市步步精科技有限公司	
APPD.	JM_Zheng	NAME:	卡座 MICRO SIM CARD PUSH PUSH 7PIN 带CDPIN H=1.35 无柱
CHKD.	LYX	PJ. NO.:	142-201-060002-S4G
DR.	TSP	SIZE:	A4 DRW NO.:
PDWG.NO:	0390-1	FINISH:	SEE NOTES
		MAT'L.:	SEE NOTES
		SCALE:	N/A
		REV.:	AO
		UNIT:	mm
		PAGE:	1/2



备注:

1. 包装数量: 1000/PCS/卷, 10卷/箱。
2. 包装袋长度: 每卷前后各空10-20个空格, 中间包装。
3. 材质:
载体: 聚丙烯 (PS),
上带: 聚乙烯 (PET),
卷盘: 聚苯乙烯。

纸箱规格: 345*345*23MM

纸箱规格: 345*345*35MM

THIS DOCUMENT IS THE SOLE PROPERTY OF BBJconn Technology Co.,Ltd. Corporation AND SHOULD NOT BE USED IN WHOLE OR IN PART WITHOUT PRIOR WRITTEN PERMISSION.		深圳市步步精科技有限公司 .X: ±0.38 .X': ±3" .XX: ±0.25 .X'': ±2" .XXX: ±0.13 .XX': ±1"		NAME: 卡座 MICRO SIM CARD PUSH PUSH 7PIN 带CDPIN H=1.35 无柱 PJ. NO.: 142-201-060002-S4G SIZE: A4 DRW NO.: FINISH: SEE NOTES MAT'L.: SEE NOTES SCALE: N/A REV.: A0 UNIT: mm PAGE: 2/2	
APPD.	JM_Zheng				
CHKD.	LYX				
PDWG.NO:	0390-1	DR.	TSP		