

| | | | | |
|------|--------|-----------------|------|----------|
| REV. | ECN NO | CONTENT | DATE | ENGINEER |
| A0 | | Initial release | / | SGF |

NOTES:

MATERIAL:

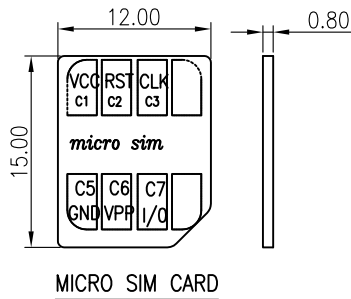
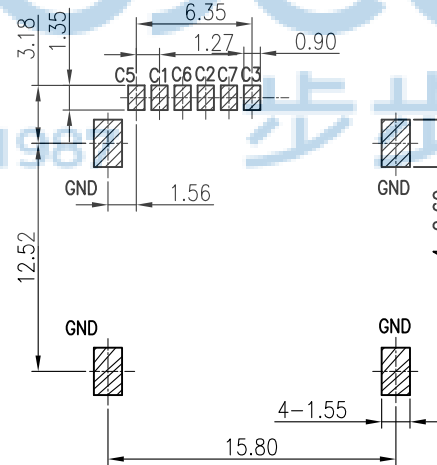
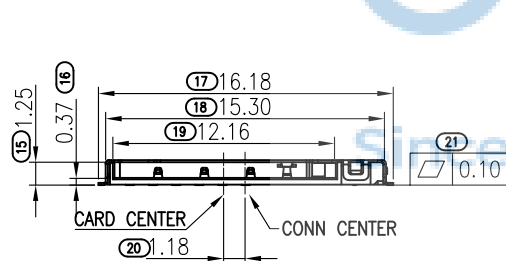
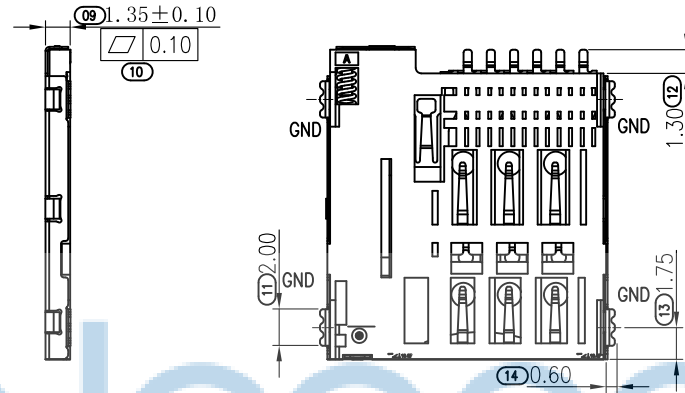
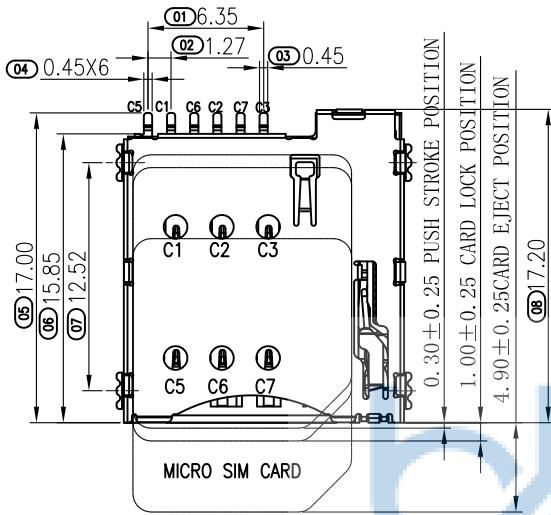
Insulator: High Temperature Thermoplastic,
Contact: Copper Alloy
Shell: STAINLESS

PLATING:

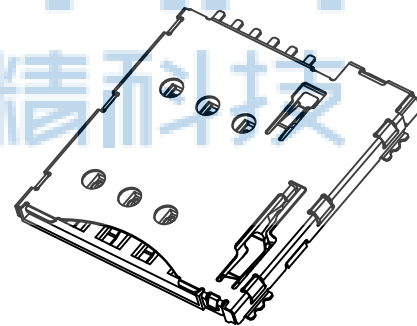
Contact: Plated 30u'' Ni Overall, Solder Area: Tin, Contact G/F
Shell: Plated 30u'' Ni Overall
Plated G/F Selective Contact Area

Electrical:

Current Rating :0.5mA max.
Voltage Rating :50V DC MAX
Ambient Temperature Range :-20° C~+85° C
Storage Temperature Range :-40° C~+70° C
Ambient Humidity Range :95% R.H. Max.
Contact Resistance:100mΩmax.
Insulation Resistance:1000M min./250V DC
Dielectric Withstanding Voltage:500V AC
Mating Cycles:5,000 Insertions
Temperature: 260° C ±5°



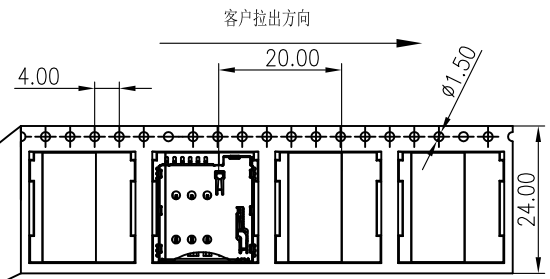
■ CIRCUIT TRACE KEEP OUT AREA
■ SMT SOLDER AREA
THERE SHOULD NOT BE ANY CIRCUITRIES
IN THE LAYOUT SPACE OF THE PRODUCTS.
RECOMMENDED PCB LAYOUT
GENERAL TOLERANCE ±0.05



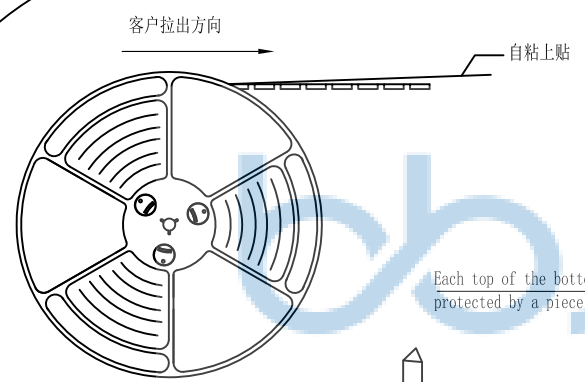
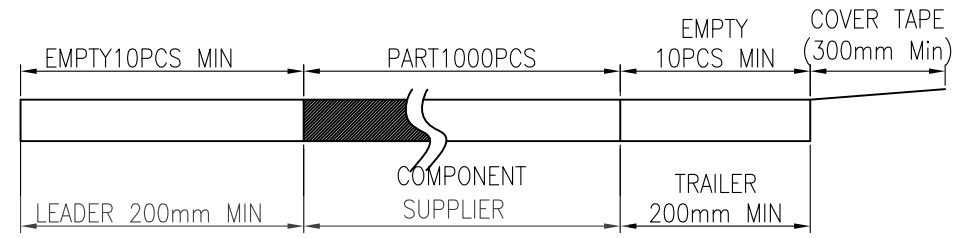
| SIM pin Assignment | |
|--------------------|------|
| PIN# | Name |
| C1 | VCC |
| C2 | RST |
| C3 | CLK |
| C5 | GND |
| C6 | VPP |
| C7 | I/O |

| | | | |
|---|----------|---|---|
| THIS DOCUMENT IS THE SOLE PROPERTY OF BBJconn Technology Co., Ltd. Corporation AND SHOULD NOT BE USED IN WHOLE OR IN PART WITHOUT PRIOR WRITTEN PERMISSION. | | 深圳市步步精科技有限公司 .X: ±0.38 X': ±3" .XX: ±0.25 X'': ±2" .XXX: ±0.13 .XX': ±1" | |
| APPD. | JM_Zheng | NAME: | 卡座 MICRO-SIM PUSH-PUSH 6P H=1.35 无柱无侦测 卡扣有弹片 避位 |
| CHKD. | LYX | PJ. NO.: | 142-201-060001-V8G |
| DR. | SGF | SIZE: A4 | DRW NO.: |
| PDWG. NO: | 0302-1 | FINISH: SEE NOTES | MAT'L.: SEE NOTES |
| | | SCALE: N/A | REV.: A0 UNIT: mm PAGE: 1/2 |

| | | | | |
|------|---------|-----------------|------|----------|
| REV. | ECN NO. | CONTENT | DATE | ENGINEER |
| AO | | Initial release | / | SGF |

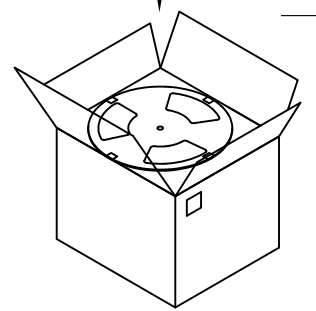
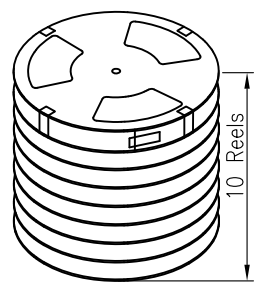
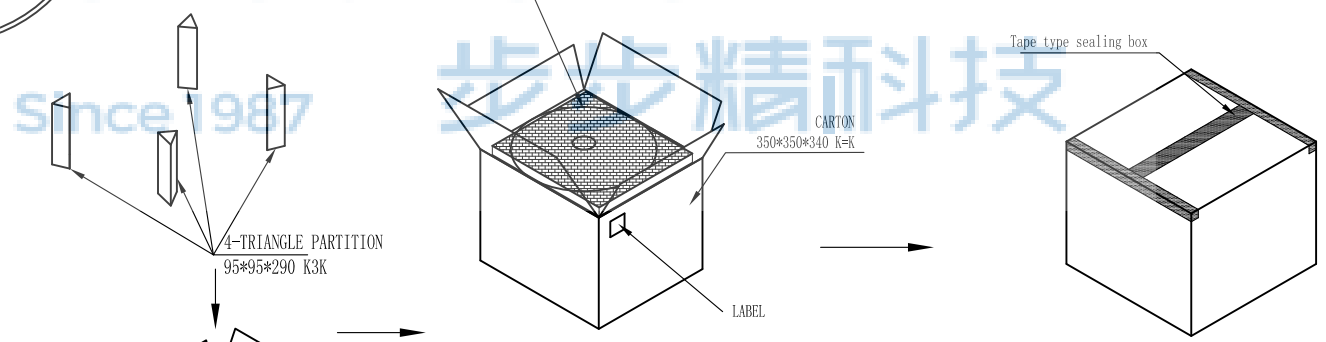


- NOTES
1. NUMBER OF CONNECTORS:1000PCS/REEL
 2. LEAD TAPE LENGTH



3. QUANTITY: 10000PCS/CARTON

Each top of the bottom of the carton is protected by a piece of pearl cotton



10 rolls per carton



| | | | |
|--|----------|---|---|
| THIS DOCUMENT IS THE SOLE PROPERTY OF BBJconn Technology Co.,Ltd. Corporation AND SHOULD NOT BE USED IN WHOLE OR IN PART WITHOUT PRIOR WRITTEN PERMISSION. | | 深圳市步步精科技有限公司 .X: ±0.38 .XX: ±0.25 .XXX: ±0.13 X': ±3" X'': ±2" XX': ±1" | |
| APPD. | JM_Zheng | NAME: | 卡座 MICRO-SIM PUSH-PUSH 6P H=1.35 无柱无侦测 卡扣有弹片 避位 |
| CHKD. | LYX | PJ. NO.: | 142-201-060001-V8G |
| DR. | SGF | SIZE: | A4 |
| PDWG.NO: 0302-1 | | FINISH: | SEE NOTES |
| | | MAT'L.: | SEE NOTES |
| | | SCALE: | N/A |
| | | REV.: | A0 |
| | | UNIT: | mm |
| | | PAGE: | 2/2 |