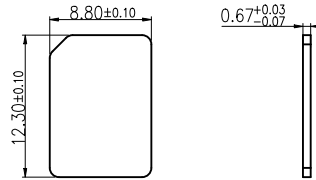
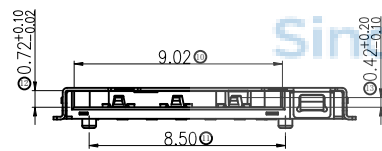
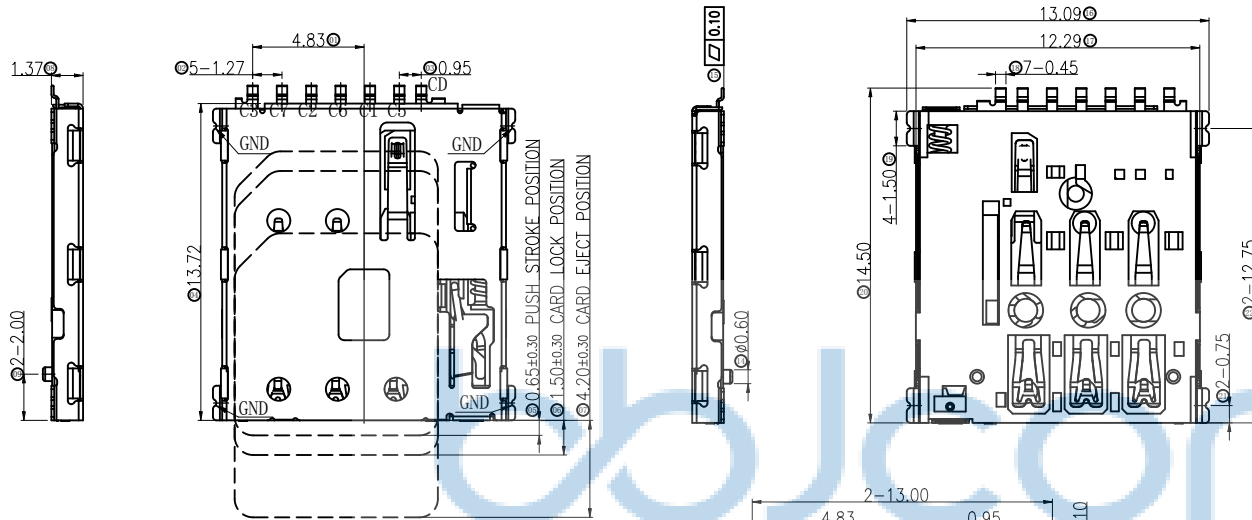


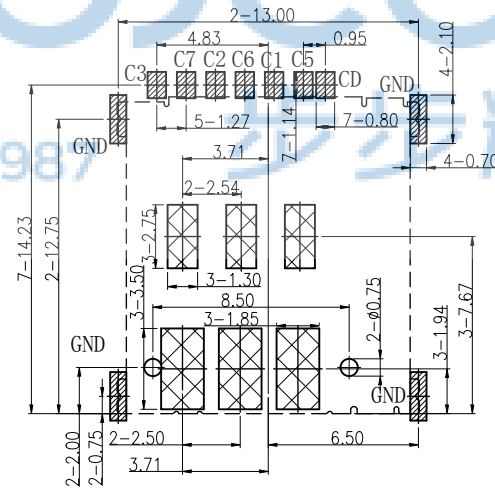
REV.	ECN NO	CONTENT	DATE	ENGINEER
AO				

Notes:

- Material:
Housing: High Temperature Thermoplastic
Terminal: Copper Alloy
Shell: Stainless Steel
- Plating:
Terminal: 50u" Ni Underplated Overall
G/F Plated On Contact Area
G/F Plated On Solder Area
Shell: 30u" Ni Underplated Overall
G/F Plated On Contact Area And Solder Area
- Technical Speciality:
Rated Voltage: 30V
Current Rating: 0.5A
Insulation Resistance: 1000MΩ Min.
Contact Resistance: 100mΩ Max.
Withstanding Voltage: 500V DC For 1 Minutes.
Operating Temperature: -40°C ~ +75°C Humidity 80% R.H Max.



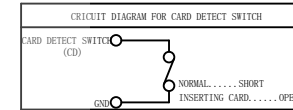
卡片尺寸
2:1



RECOMMENDED PCB LAYOUT

TOLERANCE: ±0.05

- SMT SOLDER AREA
- COPPER RESTRICTED AREA
- 1. TOUCH AREA OF CONTACT TIPS NO ELECTRICAL FUNCTION
- 2. NO FIRST PCB LAYOUT CIRCUITS IN THE AREA

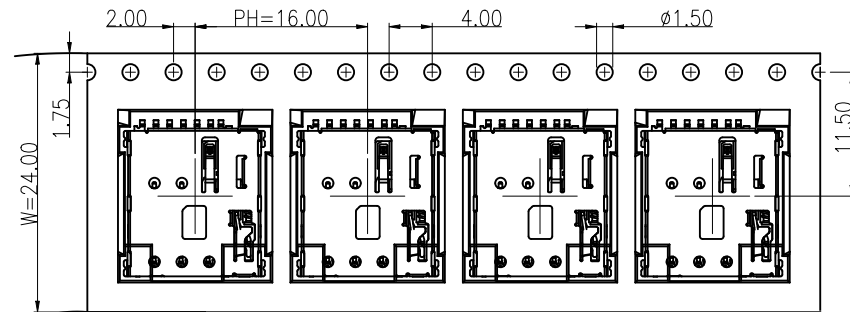


PIN/NO	ASSIGNMENT
C1	VCC
C2	RST
C3	CLK
C5	GND
C6	VPP
C7	I/O
CD	Detect Switch



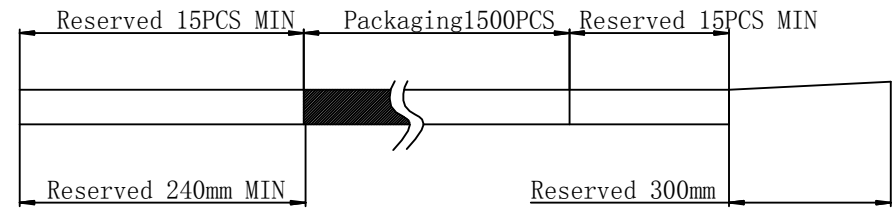
THIS DOCUMENT IS THE SOLE PROPERTY OF BBJconn Technology Co., Ltd. Corporation AND SHOULD NOT BE USED IN WHOLE OR IN PART WITHOUT PRIOR WRITTEN PERMISSION.		深圳市步步精科技有限公司 工程 部	
APPD.	JM_Zheng	NAME: 卡座 NANO SIM CARD PUSH PUSH 7PIN 带CD PIN H=1.37 贴片 有柱 自弹	
CHKD.	LYX	PJ. NO.: CD.02.02-13-0006 SIZE: A4 DRW NO.: C-102314442-00	
PDWG.NO:	0302-1	FINISH: SEE NOTES MAT'L.: SEE NOTES	
DR.	TSP	SCALE: N/A REV.: AO UNIT: mm PAGE: 1/2	

Direction of use →

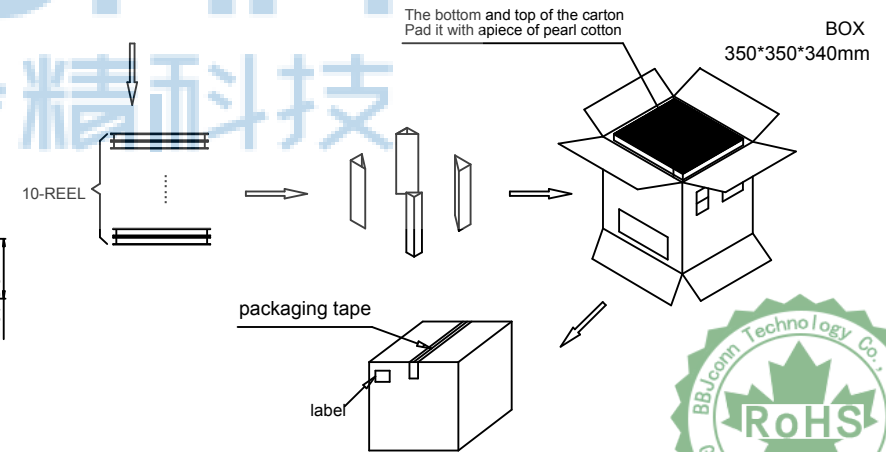
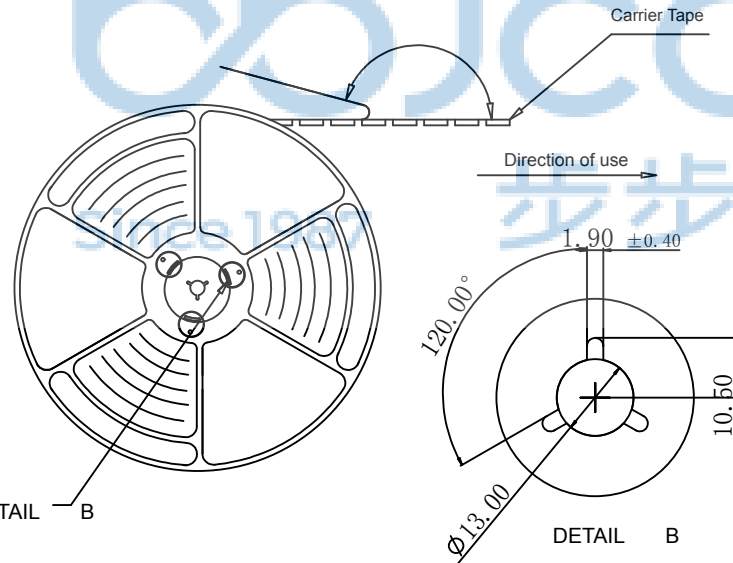


NOTES:

- 1、Packing quantity per plate: 1500PCS/Plate
- 2、Loading and packing method



3、Total packaging: 15000PCS/Box



Part Number	Description	Quantity
	Carrier band (Lucent , PET W=24 PH=16,T=0.3)	244.8m
	Box (K=K,T=7.0,350*350*340)	1PCS
	PE Bag (T=0.08mm , 730*760*730)	1PCS
	Self-adhesive (W=21.30)	247.8m
	Beam (K=K , T=7.0,95*95*290)	4PCS
	Pearl Wool (340*340*18)	2PCS
	REEL (BLUE , 13Inches*24mm , φ330)	10PCS
	1.37H Push-Push Micro-Sim Card<NS005-010>	15000PCS



THIS DOCUMENT IS THE SOLE PROPERTY OF BBJconn Technology Co.,Ltd. Corporation AND SHOULD NOT BE USED IN WHOLE OR IN PART WITHOUT PRIOR WRITTEN PERMISSION.		深圳市步步精科技有限公司	
.X: ±0.38 .X': ±3' .XX: ±0.25 .X': ±2' .XXX: ±0.13 .XX': ±1'		NAME: 卡座 NANO SIM CARD PUSH PUSH 7PIN 带CD PIN H=1.37 贴片 有柱 自弹	
APPD.	JM_Zheng	P.J. NO.: CD.02.02-13-0006 SIZE: A4 DRW NO.: C-102314442-00	
CHKD.	LYX	FINISH: SEE NOTES MAT'L.: SEE NOTES	
PDWG,NO:	0302-1	DR.	TSP
		SCALE: N/A	REV.: AO UNIT: mm PAGE: 2/2