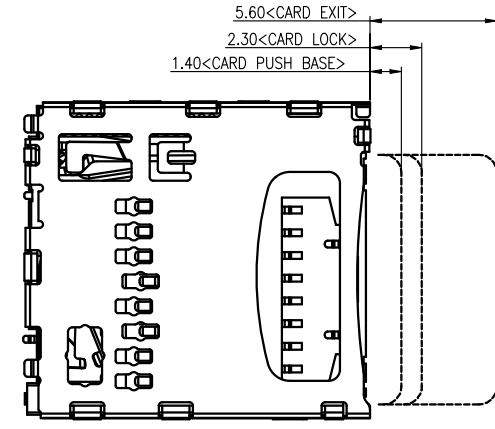
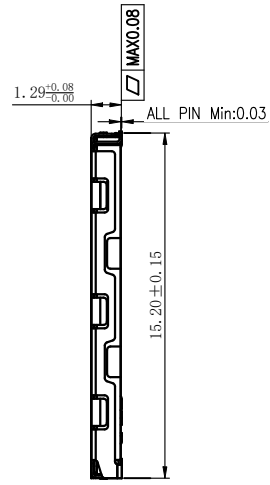
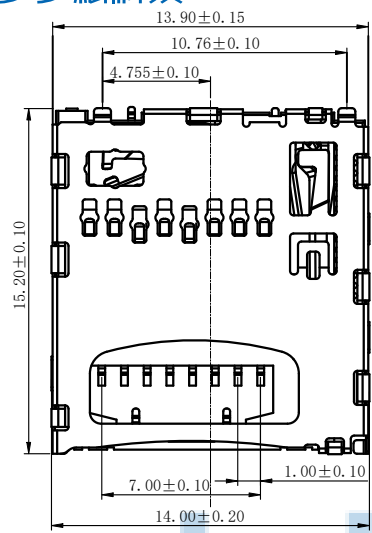
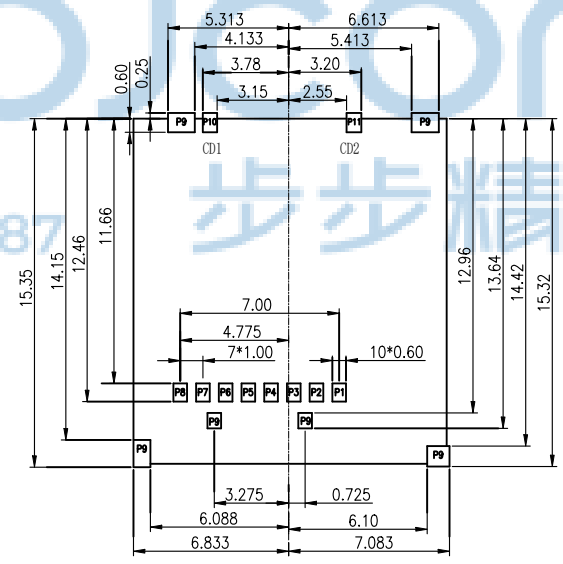
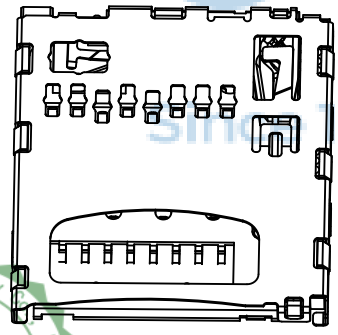


REV.	ECN NO	CONTENT	DATE	ENGINEER
A0		Initial release	/	SGF

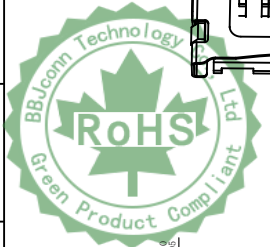


CARD INSERT LARYUOT

- NOTES:
- ELECTRICAL:
 - VOLTAGE :100V AC
 - CURRENT;0.5A Max
 - CONTACT RESISTANCE:40MΩ MAX
 - VOLTAGE PROOF;500V AC
 - INSULATION RESISTANCE;1000MΩ MIN
 - MECHANICAL:
 - CARD INSERTION/WITHDRAWAL FORCE;10N MAX
 - PUSH IN STRENGTH;10N
 - DURABILITY;5000 CYCLES
 - MATERIAL:
 - HOUSING;LCP UL94V-0 BLACK
 - SLIDE;LCP UL94V-0 BLACK
 - LATCH;PHOSPHOR BRONZE
 - CONTACT;PHOSPHOR BRONZE
 - SHELL;STAINLESS STEEL
 - SPRING;STAINLESS STEEL
 - CRANK-AXLE;STAINLESS STEEL
 - PLATING:
 - Contact: Plated 40u" Ni Overall , Solder Area: Tin,Contact G/F
 - Shell: Plated 30u" Ni Overall
 - Plated G/F Selective Contact Area

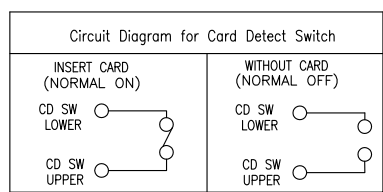
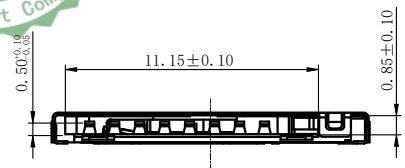


PCB LARYUOT



PIN ASSIGNMENTS

Pin#	Name	Description
1	DAT2	Data Line(Bit 2)
2	CD/DAT3	Card Detect/Data line(Bit 3)
3	CMD	Command/Response
4	V _{DD}	Supply voltage
5	CLK	Clock
6	V _{SS}	Supply voltage ground
7	DAT0	Data Line (Bit 0)
8	DAT1	Data Line (Bit 1)
9	GND	
10	COMMON	CD1
11	DETECT SW(GND)	CD2



THIS DOCUMENT IS THE SOLE PROPERTY OF BBJconn Technology Co.,Ltd. Corporation AND SHOULD NOT BE USED IN WHOLE OR IN PART WITHOUT PRIOR WRITTEN PERMISSION.

PDWG.NO: 0302-1

DR. SGF

APPD. JM_Zheng

CHKD. LYX

深圳市步步精科技有限公司

NAME: 卡座 MICRO SD H1.29 PUSH PUSH 全贴

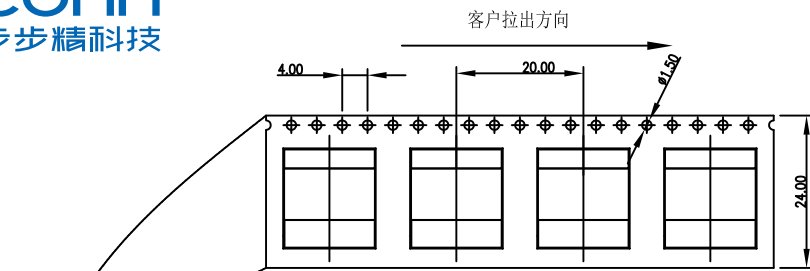
PJ. NO.: CD_03.02-13-0003

SIZE: A4 DRW NO.:

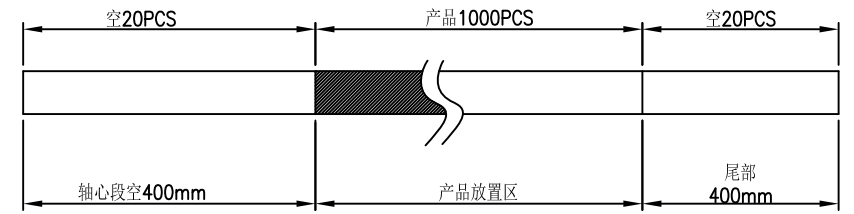
FINISH: SEE NOTES MAT'L.: SEE NOTES

SCALE: N/A REV.: A0 UNIT: mm PAGE: 1/2

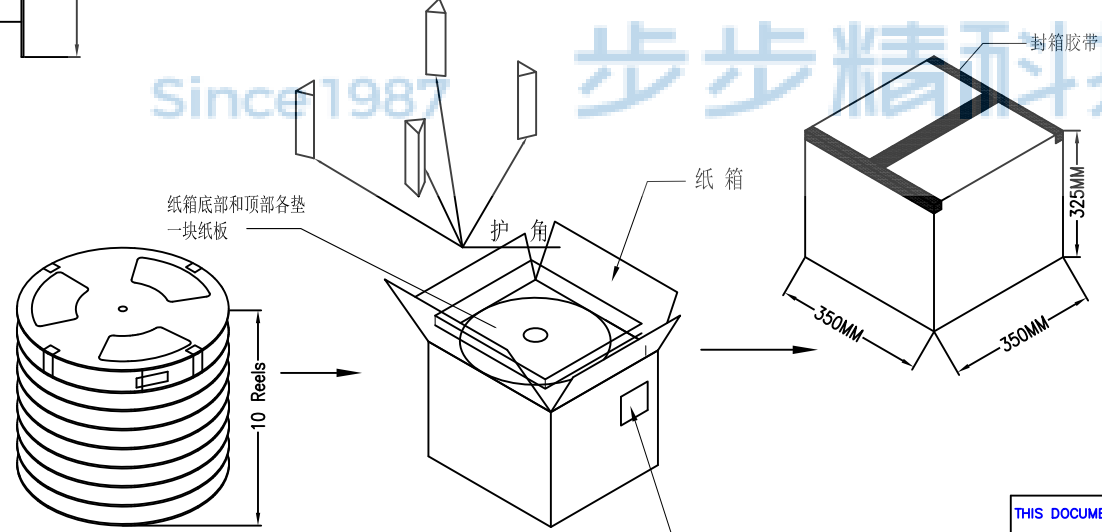
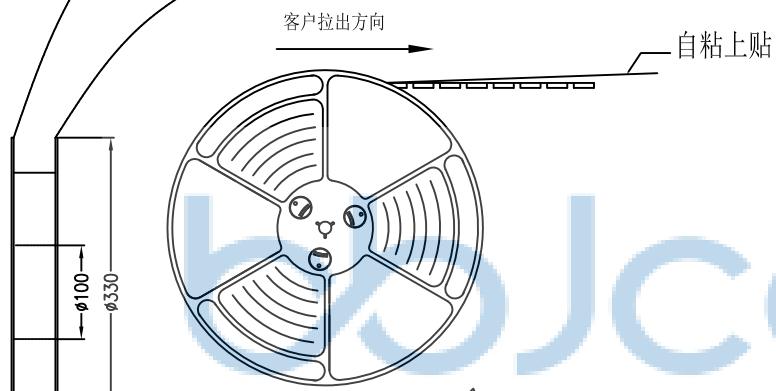
REV.	ECN NO.	CONTENT	DATE	ENGINEER
A0		Initial release	/	SGF



NOTES
1.每卷包装数量:1000PCS/每卷
2.卷带包装方式:



3.每箱包装数量:10000PCS/箱



THIS DOCUMENT IS THE SOLE PROPERTY OF BBJconn Technology Co.,Ltd. Corporation AND SHOULD NOT BE USED IN WHOLE OR IN PART WITHOUT PRIOR WRITTEN PERMISSION.		深圳市步步精科技有限公司	
.X: ±0.38 .XX: ±0.25 .XXX: ±0.13		X': ±3" .X': ±2" .XX': ±1"	
APPD.	JM_Zheng	NAME: 卡座 MICRO SD H1.29 PUSH PUSH 全贴	
CHKD.	LYX	PJ. NO.: CD.03.02-13-0003	
DR.	SGF	SIZE: A4 DRW NO.:	
PDWG.NO: 0302-1		FINISH: SEE NOTES MAT'L.: SEE NOTES	
		SCALE: N/A REV.: A0 UNIT: mm PAGE: 2/2	