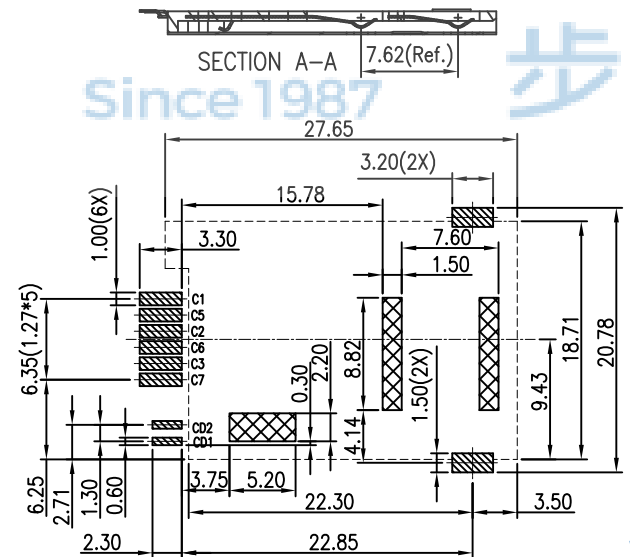
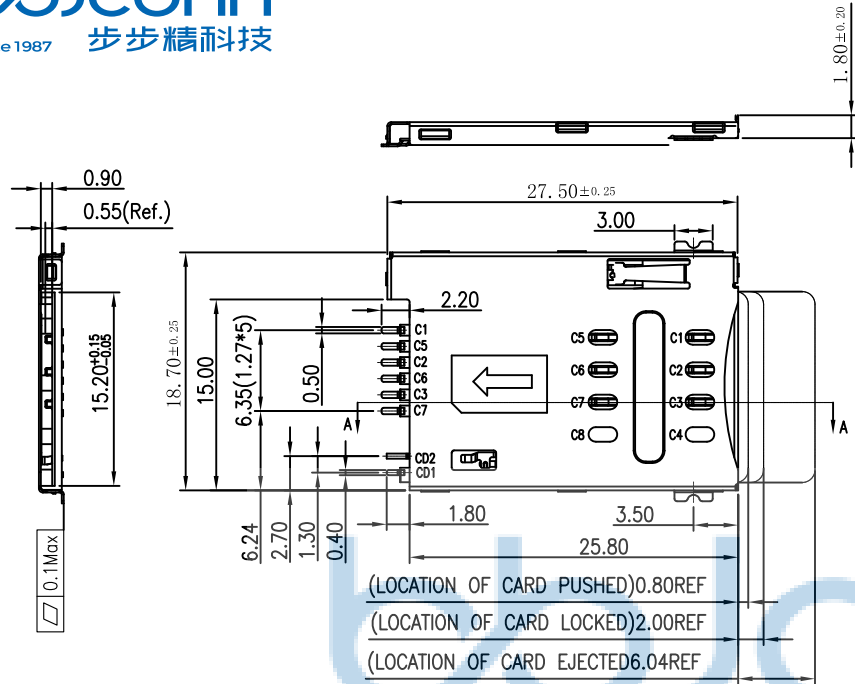
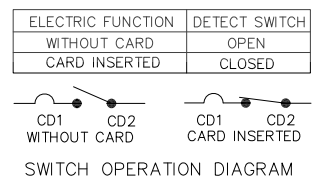


REV.	ECN NO	CONTENT	DATE	ENGINEER
A0		Initial release	/	SGF



RECOMMENDED P.C.B LAYOUT
COMPONENT SIDE(TOLERANCE ±0.05)

▨ PAD AREA
▨ KEEP AREA
▨ KEEP OUT AREA



NOTES:

MATERIAL:

Insulator: High Temperature Thermoplastic, UL 94V-0.
Contact: Copper Alloy
CD PIN: Copper Alloy
Shell: STAINLESS

Electrical:

Current Rating :0.5mA AC/DC max.
Voltage Rating :10V AC/DC
Ambient Temperature Range :-40°C~+85°C
Storage Temperature Range :-40°C~+85°C
Ambient Humidity Range :95% R.H. Max.
Contact Resistance:100mΩ max.
Insulation Resistance:1000MΩ min./500VDC
Mating Cycles:5,000 Insertions
Temperature: 260°C ±5°

ITEM	PART NAME	Q'TY	MATERIAL	FINISH
1	HOUSING	1	Hi-temp Thermoplastic	Black UL94V-0
2	SHELL	1	Stainless Steel	SMT area:Gold plated
3	DATA CONTACT	1	Copper Alloy	Contact area:Gold plated
4	HEART CAM	1	Hi-temp Thermoplastic	Black UL94V-0
5	COLL SPRING	1	SWP.	
6	CAM PIN	1	Stainless Steel	Black UL94V-0
7	CD2 SWITCH	1	Copper Alloy	Contact area:Gold plated



THIS DOCUMENT IS THE SOLE PROPERTY OF BBJconn Technology Co., Ltd. Corporation AND SHOULD NOT BE USED IN WHOLE OR IN PART WITHOUT PRIOR WRITTEN PERMISSION.

PDWG.NO: 0302-1

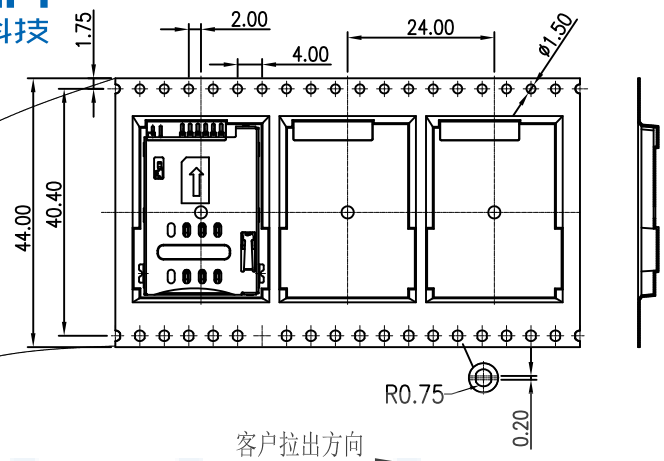
APPD. JM_Zheng
CHKD. LYX
DR. SGF

深圳市步步精科技有限公司

NAME: SIM卡座 PUSH H1.8 6+2 (外壳脚3.5 无柱)

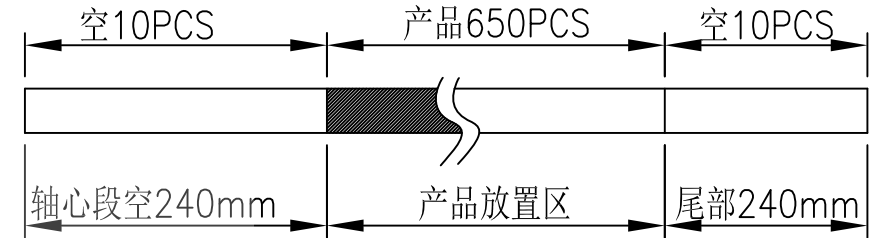
PJ. NO.: 142-203-080001-V8G
SIZE: A4 DRW NO.:
FINISH: SEE NOTES MAT'L.: SEE NOTES
SCALE: N/A REV.: A0 UNIT: mm PAGE: 1/2

REV.	ECN NO	CONTENT	DATE	ENGINEER
A0		Initial release	/	SGF

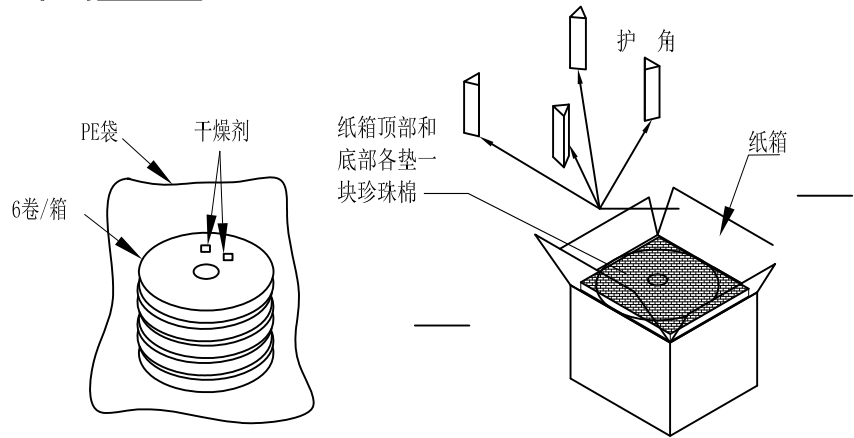
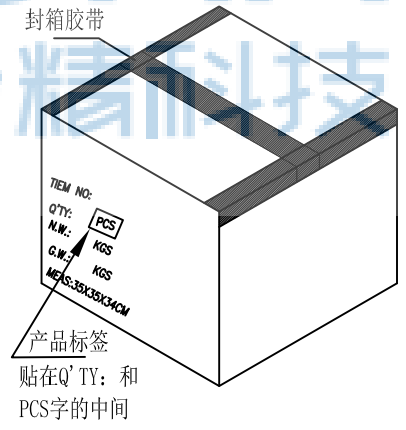
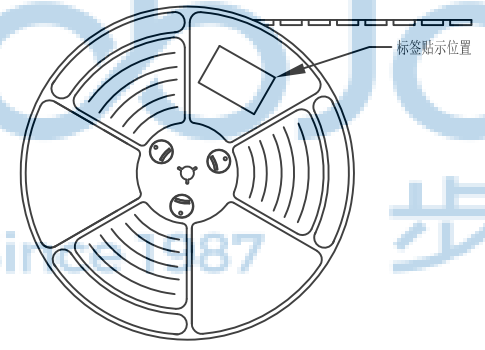


NOTES

1. 每卷包装数量: 650PCS/每卷
2. 卷带包装方式:



3. 每箱包装数量: 3900PCS/箱



THIS DOCUMENT IS THE SOLE PROPERTY OF BBJconn Technology Co., Ltd. Corporation AND SHOULD NOT BE USED IN WHOLE OR IN PART WITHOUT PRIOR WRITTEN PERMISSION.		深圳市步步精科技有限公司 NAME: SIM卡座 PUSH H1.8 6+2 (外壳脚3.5 无柱) APPD. JM_Zheng CHKD. LYX DR. SGF	
.X: ± 0.38 .XX: ± 0.25 .XXX: ± 0.13		X': $\pm 3'$.X': $\pm 2'$.XX': $\pm 1'$	
PDWG.NO: 0302-1		PJ. NO.: 142-203-080001-V8G SIZE: A4 DRW NO.: FINISH: SEE NOTES MAT'L.: SEE NOTES SCALE: N/A REV.: A0 UNIT: mm PAGE: 2/2	