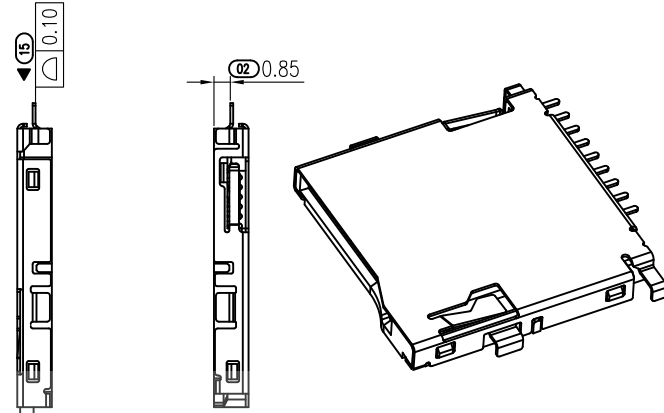
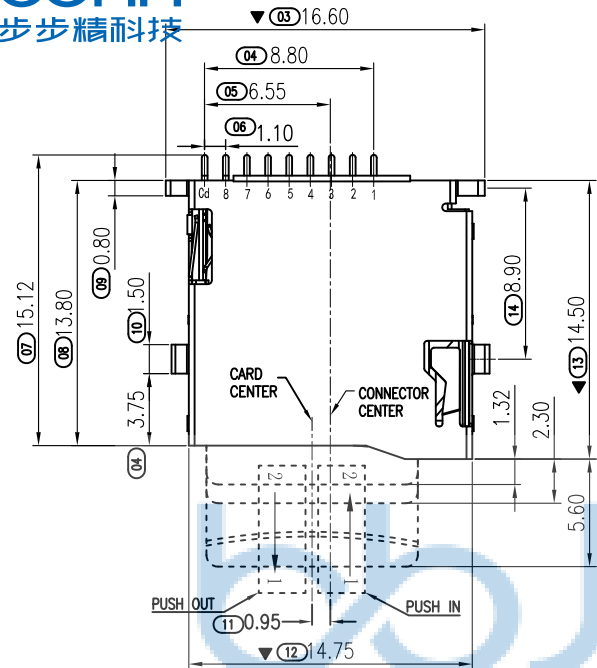
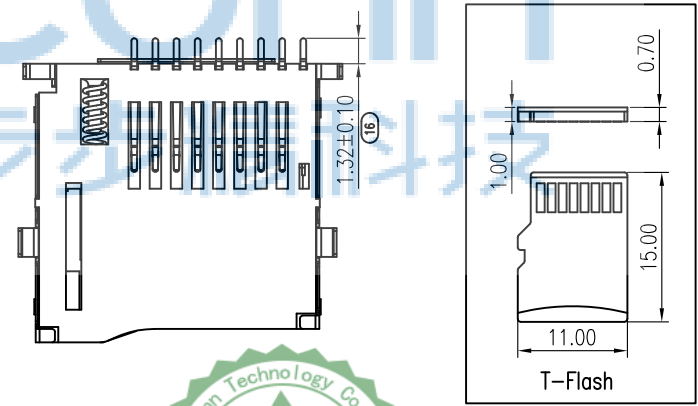


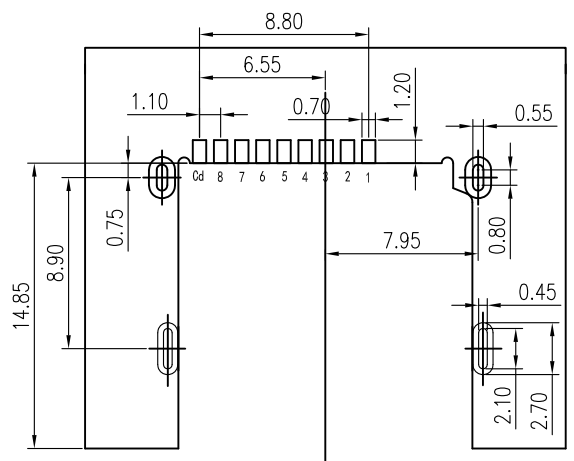
REV.	ECN NO	CONTENT	DATE	ENGINEER
A0		Initial release	/	SGF



NOTES:  
ELECTRICAL CHARACTERISTICS  
CONTACT CURRENT RATING:0.5A  
DIELECTRIC WITHSTANDING VOLTAGE:AC 500V  
INSULATION RESISTANCE:1000MΩ MIN  
CONTACT RESISTANCE:100mΩ MAX  
ENVIRONMENTAL  
TEMPERATURE RANGE: -25°C TO +85°C  
MECHANICAL CHARACTERISTICS  
MATING CYCLES:5000 INSERTIONS  
INSERTION/OUT FORCE:0.05-3.0KGF  
MATERIAL  
HOUSING: HIGH TEMPERATURE PLASTIC UL94V-0 (LCP)  
COLOR:BLACK  
SLIDER:HIGH TEMPERATURE PLASTIC UL94V-0 (LCP)  
COLOR:BLACK  
CONTACT: COPPER ALLOY(C5191)  
SHELL: STAINLESS (SUS304)  
SPRING:SWP-B  
SNAP:STAINLESS (SUS304)  
PLATING:  
CONTACT  
UNDERPLATE: NICKEL 30-60u".  
CONTACT AREA: GOLD FLASH OVER NICKEL 30-60u".  
SOLDER AREA: TIN 80u" MIN OVER NICKEL 30-60u".  
SHELL:PLATE 30u"NICKEL MIN (Test Point For SMT Foot)



PIN NO.	NAME	YTYPE	DESCRIPTION
1	DAT2	I/O/PP	DATE LINE(BIT2)
2	CD/DAT3	I/O/PP	CARD DETECT DATE LIN(BIT3)
3	CMD	PP	COMMAND RESPONSE
4	VDD	S	SUPPLY VOLTAGE
5	CLX	I	CLOCK
6	VSS	S	SUPPLY VOLTAGE GROUND
7	DAT0	I/O/PP	DATE LINE(BIT0)
8	DAT1	I/O/PP	DATE LINE(DIT1)



RECOMMENDED P.C.B HOLE LAYOUT  
COMPONENT SIDE VIEW(TOLERANCE: +/-0.05)



THIS DOCUMENT IS THE  
SOLE PROPERTY OF  
BBJconn Technology Co.,Ltd.  
Corporation AND SHOULD  
NOT BE USED IN WHOLE  
OR IN PART WITHOUT  
PRIOR WRITTEN PERMISSION.  
PDWG.NO: 0302-1

**深圳市步步精科技有限公司**

NAME:  
TF卡座 9Pin H=1.80 正向沉板0.85 四脚插 SMT

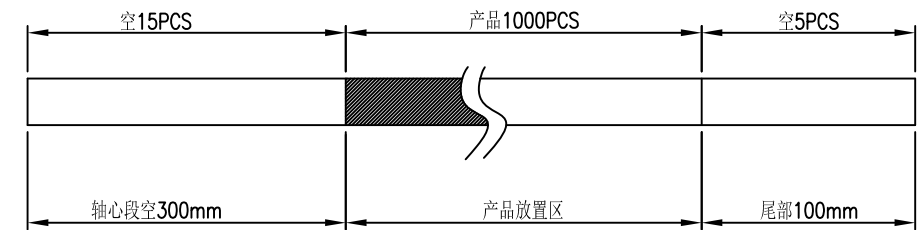
APPD. JM\_Zheng  
CHKD. LYX  
DR. SGF

PJ. NO.: 142-103-090001-V8G  
SIZE: A4 DRW NO.:  
FINISH: SEE NOTES MAT'L.: SEE NOTES  
SCALE: N/A REV.: A0 UNIT: mm PAGE: 1/2

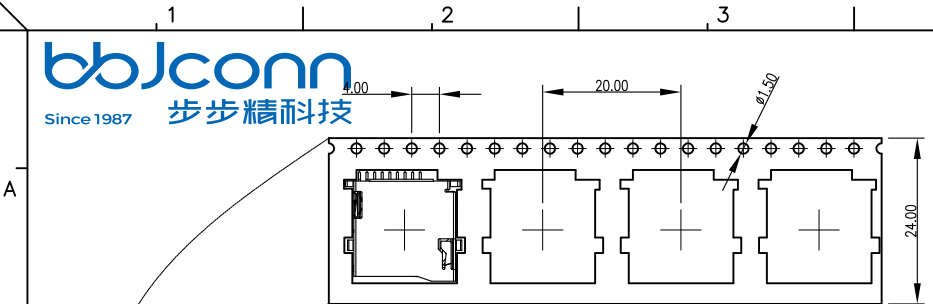
REV.	ECN NO.	CONTENT	DATE	ENGINEER
AO		Initial release	/	SGF

NOTES

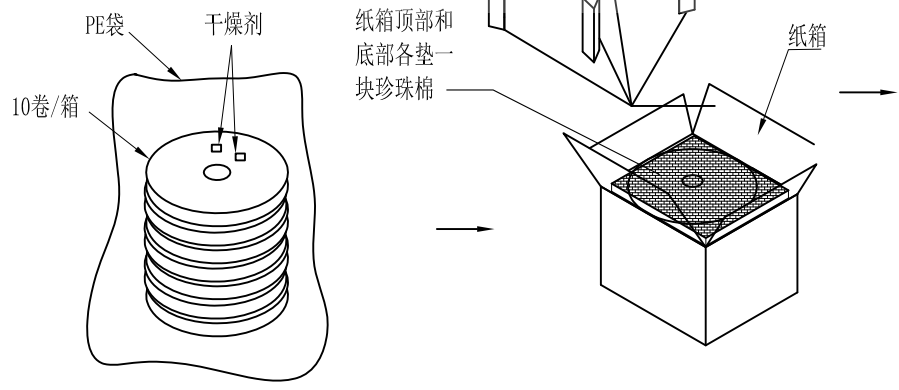
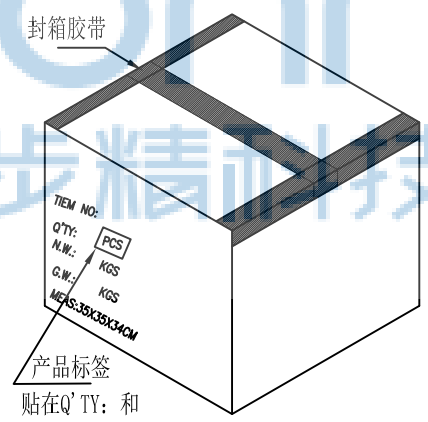
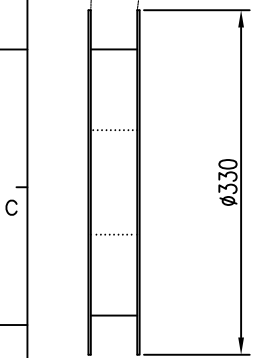
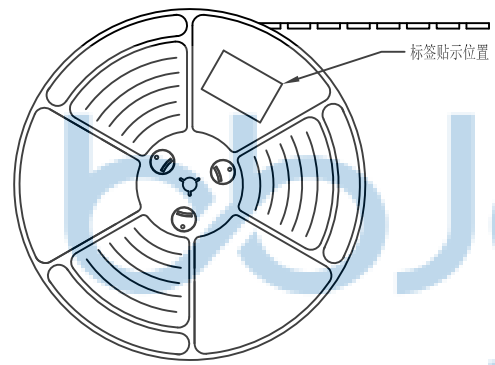
1. 每卷包装数量:1000PCS/每卷
2. 卷带包装方式:



3.每箱包装数量:10000PCS/箱



客户拉出方向



THIS DOCUMENT IS THE SOLE PROPERTY OF BBJconn Technology Co.,Ltd. Corporation AND SHOULD NOT BE USED IN WHOLE OR IN PART WITHOUT PRIOR WRITTEN PERMISSION.		深圳市步步精科技有限公司 .X: $\pm 0.38$ .X': $\pm 3'$ .XX: $\pm 0.25$ .X': $\pm 2'$ .XXX: $\pm 0.13$ .XX': $\pm 1'$		NAME: TF卡座 9Pin H=1.80 正向沉板0.85 四脚插 SMT	
APPD.	JM_Zheng	PJ. NO.: 142-103-090001-V8G SIZE: A4 DRW NO.:		FINISH: SEE NOTES    MAT'L.: SEE NOTES	
CHKD.	LYX	SCALE: N/A		REV.: A0	UNIT: mm
PDWG.NO:	0302-1	DR.	SGF		PAGE: 2/2