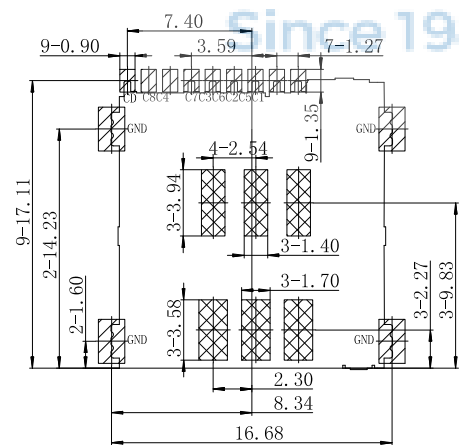
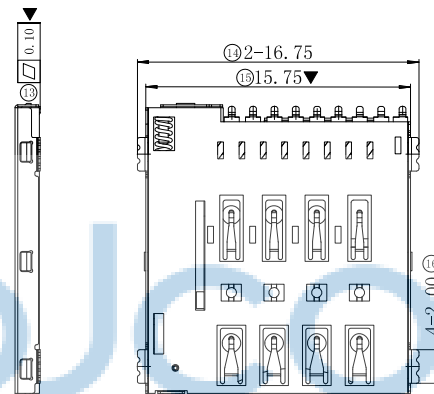
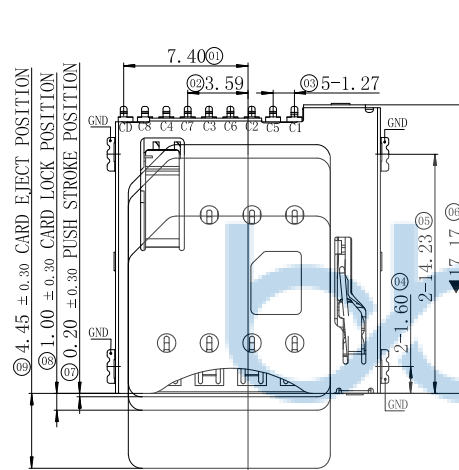
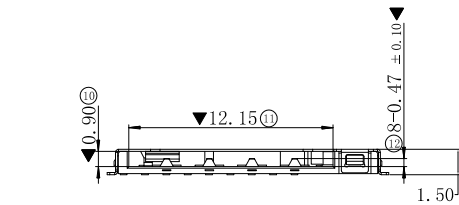
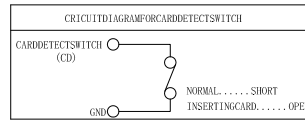


REV.	ECN NO	CONTENT	DATE	ENGINEER
A0		Initial release	/	SGF

PIIN/NO	ASSIGNMENT
C1	VCC
C2	RST
C3	CLK
C4	Reserved
CD	Detect Switch
C5	GND
C6	VPP
C7	I/O
C8	Reserved

NOTES:

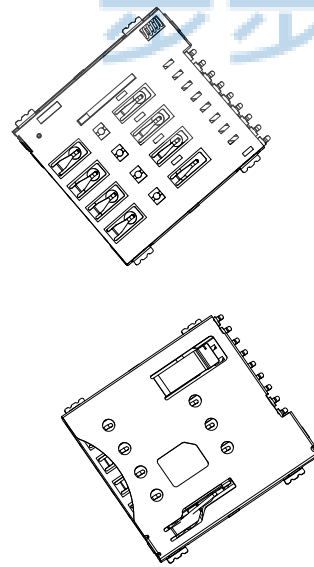
- MATERIAL:**  
HOUSING: High Temperature Thermoplastic  
Terminal: Copper Alloy  
Shell: Stainless Steel
- PLATING:**  
Terminal: 50u" Ni UNDERPLATED OVERALL  
G/F PLATED ON CONTACT AREA  
G/F PLATED ON SOLDER AREA  
Shell: 30u" Ni UNDERPLATED OVERALL  
G/F PLATED ON CONTACT AREA AND SOLDER AREA
- TECHNICAL SPECIALITY:**  
RATED VOLTAGE: 30VAC MAX.  
CURRENT RATING: 0.5A MAX.  
INSULATION RESISTANCE: 1000MΩ MIN  
CONTACT RESISTANCE: 50MΩ MAX  
WITHSTANDING VOLTAGE: 500VAC FOR 1 MINUTES  
OPERATING TEMPERATURE: -40°C ~ +85°C Humidity 80% R. H MAX



RECOMMENDED PCB LAYOUT

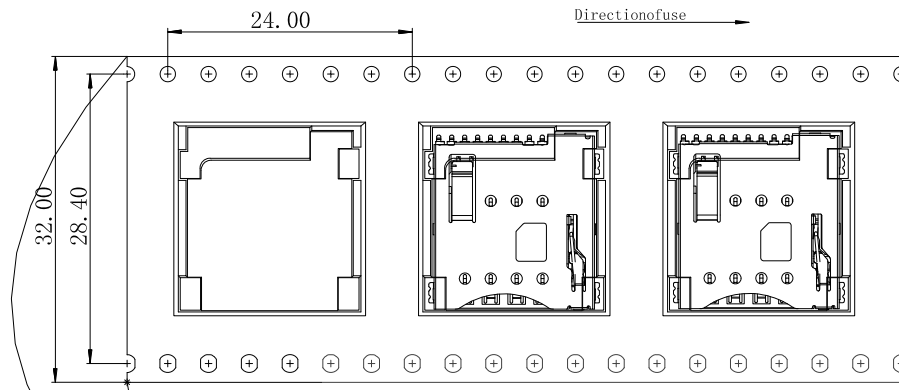
TOLERANCE: ±0.05

- ▨ SMT SOLDER AREA
- ▨ COPPER RESTRICTED AREA
- 1. TOUCH AREA OF CONTACT TIPS NO ELECTRICAL FUNCTION
- 2. NOT FIRST PCB LAYOUT CIRCUITS IN THE AREA



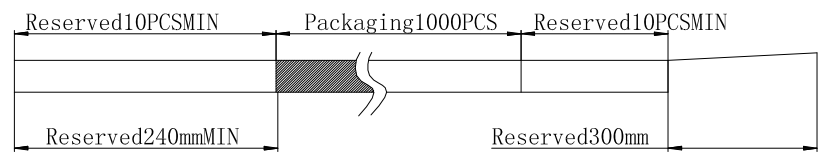
THIS DOCUMENT IS THE SOLE PROPERTY OF BBJconn Technology Co., Ltd. Corporation AND SHOULD NOT BE USED IN WHOLE OR IN PART WITHOUT PRIOR WRITTEN PERMISSION.		<b>深圳市步步精科技有限公司</b>	
APPD.	JM_Zheng	NAME:	卡座 Micro SIM Push 8+1Pin 带CD H=1.50 贴片 外焊自弹
CHKD.	LYX	PJ. NO.:	142-202-090001-V8G
DR.	SGF	SIZE:	A4 DRW NO.:
PDWG. NO:	0302-1	FINISH:	SEE NOTES
		MAT'L.:	SEE NOTES
		SCALE:	N/A
		REV.:	A0
		UNIT:	mm
		PAGE:	1/2

REV.	ECN NO	CONTENT	DATE	ENGINEER
A0		Initial release	/	SGF

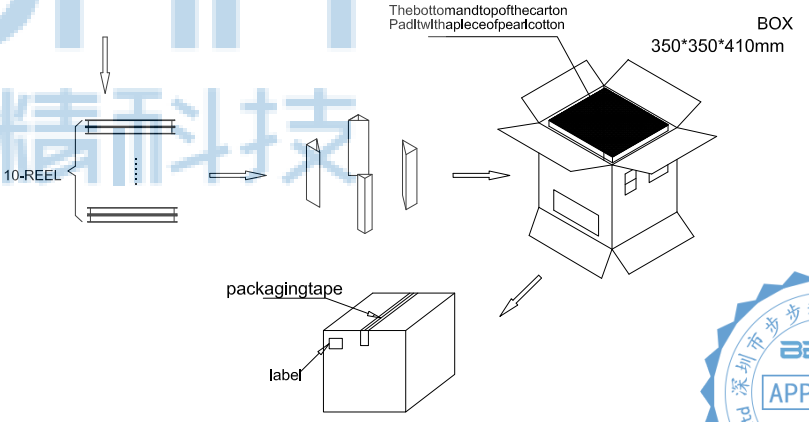
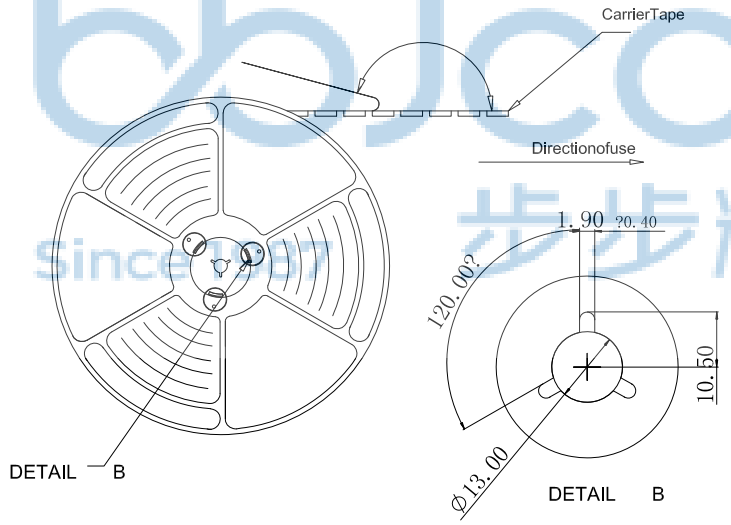


**NOTES:**

- 1、Packing quantity per plate: 1000PCS/Plate
- 2、Loading and packing method



3、Total packaging: 1000PCS/Box



Part Number	Description	Quantity
303020058	Carrierband (Black, PETW=32PH=24,T=0.3)	244.8m
303040060	Box (K=K,T=7.0,350*350*410)	1PCS
303070028	Self-adhesive (W=25.50)	247.8m
303110018	Beam (K=K, T=7.0,95*95*370)	4PCS
303130001	PearlWool (340*340*18)	2PCS
303180021	REEL (BLUE, 13Inches*32mm, φ330)	10PCS
102011422	1.5H8PINP-PM-SIM卡座	10000PCS



THIS DOCUMENT IS THE SOLE PROPERTY OF **深圳市步步精科技有限公司** (BBJconn Technology Co., Ltd.)

NAME: 卡座 Micro SIM Push 8+1Pin 带CD H=1.50 贴片 外焊自弹

APPD. JM\_Zheng

CHKD. LYX

DR. SGF

PJ. NO.: 142-202-090001-V8G

SIZE: A4 | DRW NO.:

FINISH: SEE NOTES | MAT'L.: SEE NOTES

SCALE: N/A | REV.: A0 | UNIT: mm | PAGE: 2/2