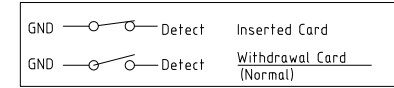


REV.	ECN NO	CONTENT	DATE	ENGINEER
A0		Initial release	/	SGF

NOTE:

△ Material & Finish See Table;

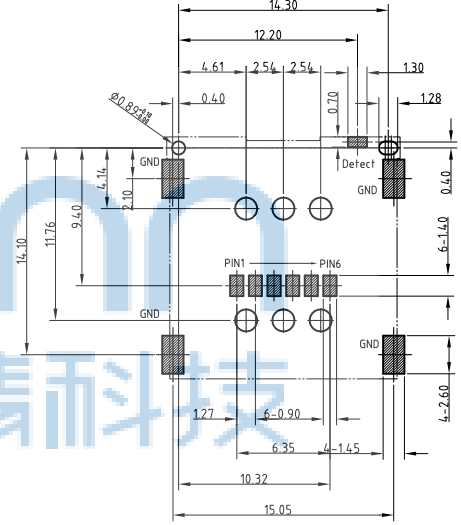
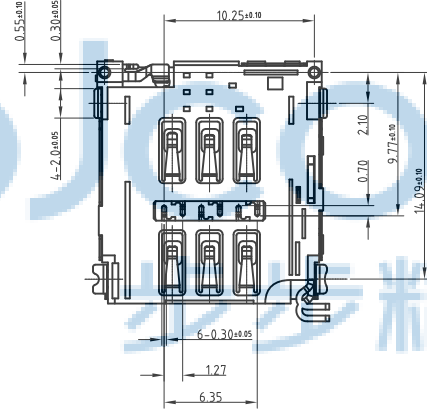
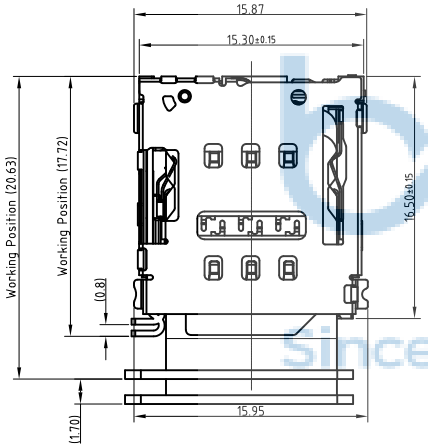
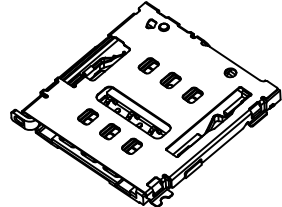
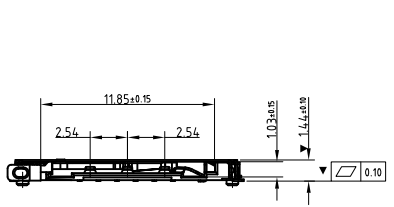
2. Circuit Diagram For Switch



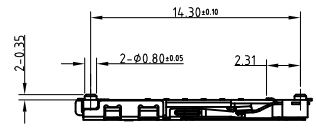
3. Characteristic:

- 3-1. Current Rating :1A max.
 - 3-2. Contact Resistance:50mOhms max
 - 3-3. Insulation Resistance:100MOhms min./500VDC
 - 3-4. Dielectric Withstanding Voltage:500VAC/1minute
 - 3-5. Mating Force: 10N Max, Withdrawal Force: 1N Min.;
 - 3-6. Durability: 1500 Cycles
 - 3-7. Operating Temperature:-25°C to+85°C
4. Critical Dimensions Marked "▼" Should Check By QC.

PIN 1#	C1: VCC
PIN 2#	C5: Grand
PIN 3#	C2: Reset
PIN 4#	C6: VPP
PIN 5#	C3: Clock
PIN 6#	C7: I/O



Recommended PCB Layout
Tolerance: ±0.05



6	Shell	SUS304	Ni 30u" MIN. Plated Overall.
5	Lever	SUS304	No plating
4	Cam	SUS304	No plating
3	Housing	LCP UL94V-0	Black
2	Detect	C5191	G/F Plated on Solder Tails and Contact Area; Ni 30u" MIN. Under Plated Overall.
1	Terminal	C5191	G/F Plated on Solder Tails and Contact Area; Ni 30u" MIN. Under Plated Overall.
Item	Part Name	Material	Description

THIS DOCUMENT IS THE SOLE PROPERTY OF BBJconn Technology Co.,Ltd. Corporation AND SHOULD NOT BE USED IN WHOLE OR IN PART WITHOUT PRIOR WRITTEN PERMISSION.

PDWG.NO: 0302-1 DR. SGF

APPD. JM_Zheng

CHKD. LYX

深圳市步步精科技有限公司

NAME: 卡座 Nano SIM Card CONN With Detect 带检测PIN H=1.5 贴片 带柱

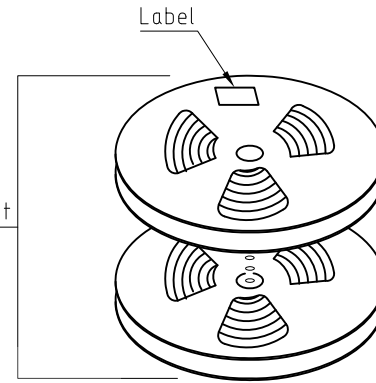
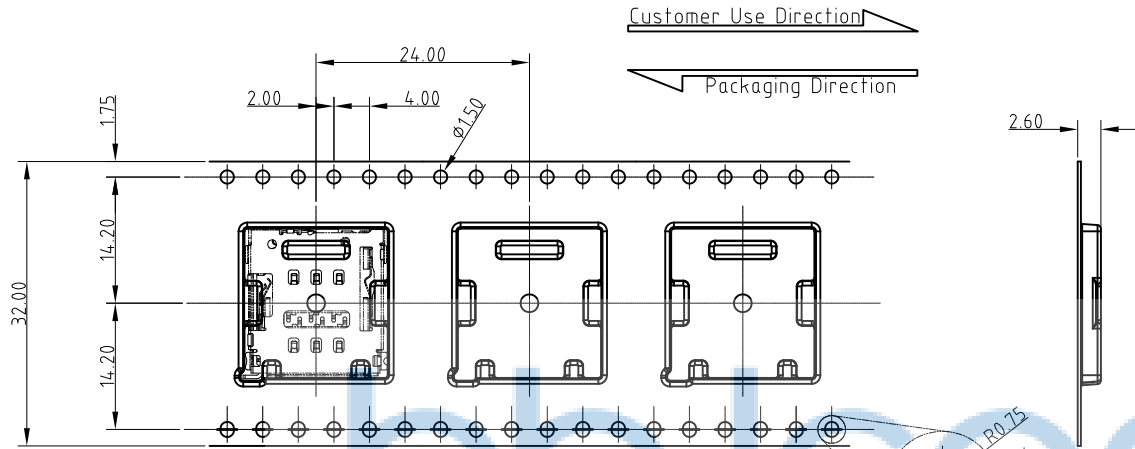
PJ. NO.: 142-202-060001-V8G

SIZE: A4 | DRW NO.:

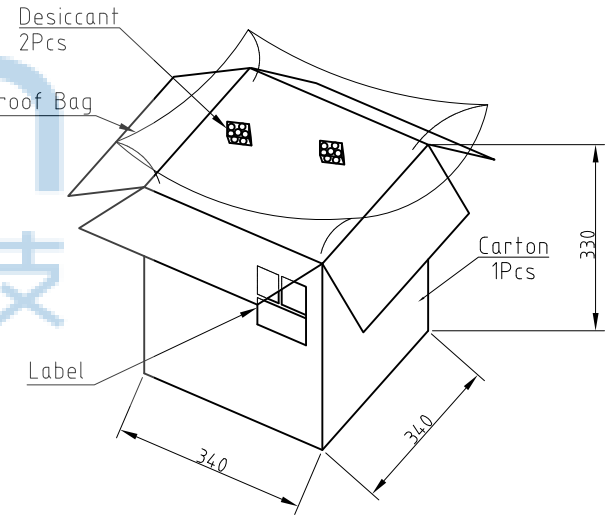
FINISH: SEE NOTES | MAT'L.: SEE NOTES

SCALE: N/A | REV.: A0 | UNIT: mm | PAGE: 1/2

REV.	ECN NO	CONTENT	DATE	ENGINEER
A0		Initial release	/	SGF

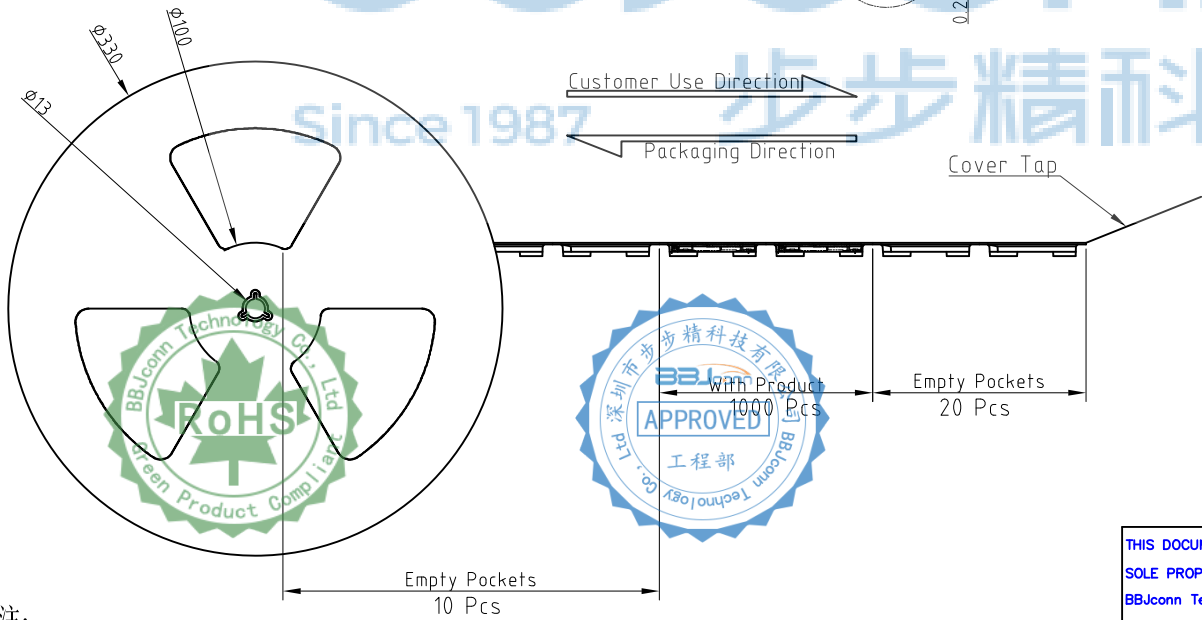


Reel with Product
8 Reel



Desiccant
2Pcs
Waterproof Bag
1Pcs

Carton
1Pcs



备注:
产品单重:0.483g
包装数量:1000Pcs/Reel;8Reel/Carton;

THIS DOCUMENT IS THE SOLE PROPERTY OF BBJconn Technology Co.,Ltd. Corporation AND SHOULD NOT BE USED IN WHOLE OR IN PART WITHOUT PRIOR WRITTEN PERMISSION.		深圳市步步精科技有限公司 .X: ±0.38 .X': ±3" .XX: ±0.25 .X'': ±2" .XXX: ±0.13 .X''': ±1"		NAME: 卡座 Nano SIM Card CONN With Detect 带检测PIN H=1.5 贴片 带柱	
APPD.	JM_Zheng	PJ. NO.: 142-202-060001-V8G		SIZE: A4 DRW NO.:	
CHKD.	LYX	FINISH: SEE NOTES		MAT'L.: SEE NOTES	
PDWG.NO:	0302-1	DR.	SGF	SCALE: N/A	REV.: A0 UNIT: mm PAGE: 2/2