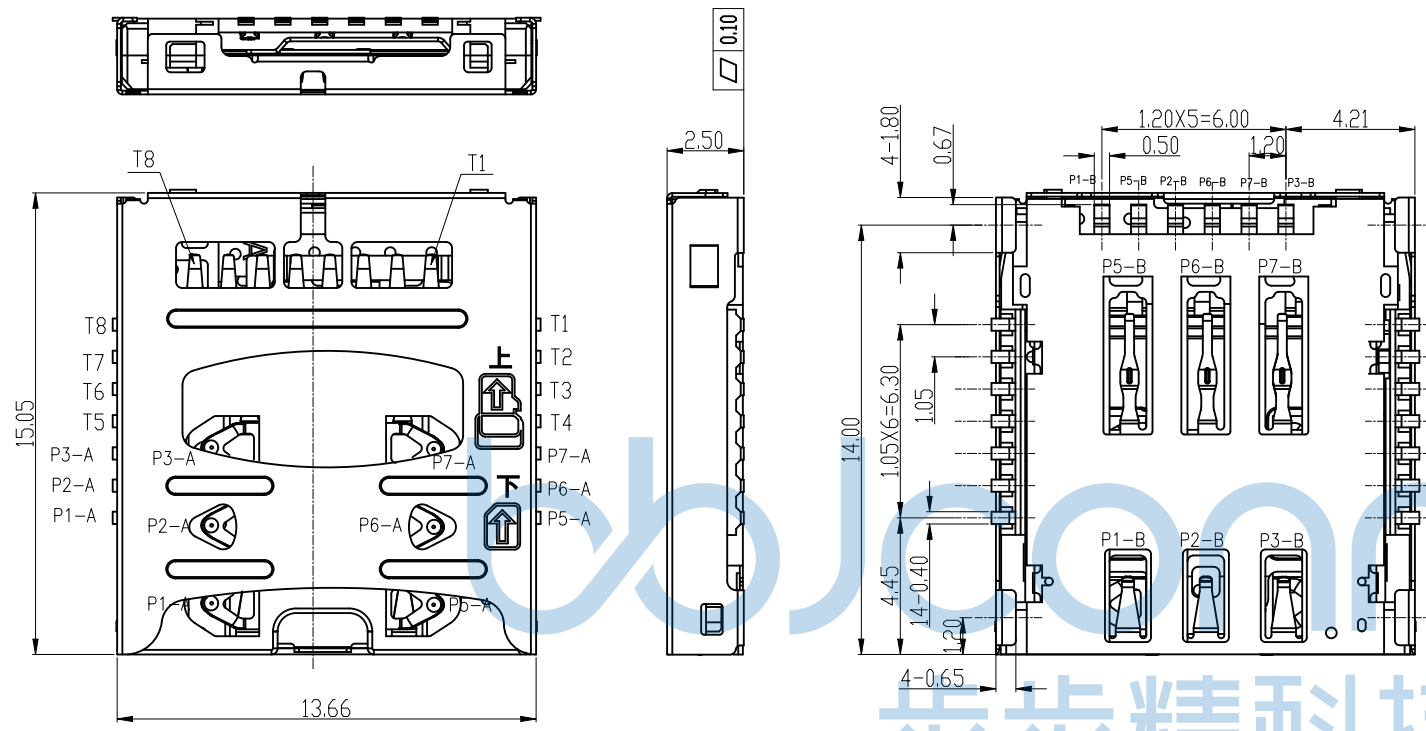


REV.	ECN NO	CONTENT	DATE	ENGINEER
A0		Initial release	/	TSP

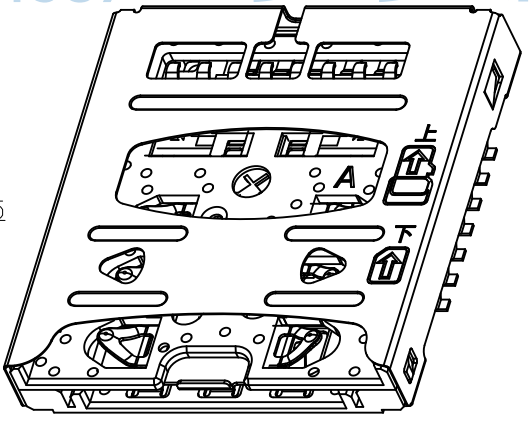
- NOTES:
- ELECTRICAL CHARACTERISTICS
 - CONTACT RESISTANCE:
60 Milliohms Max
 - INSULATION RESISTANCE:
1,000 Megohms Min.
 - DIELECTRIC WITHSTANDING VOLTAGE:
250V AC FOR 1 MINUTE.
 - MECHANICAL CHARACTERISTICS
 - OPERATION TEMPERATURE RANGE:
-25°C~+70°C
 - DURABILITY: 3000 CYCLES
 - MATERIAL:
 - HOUSING: THERMOPLASTIC,UL 94-V0
 - TERMINAL: PHOSPHOR BRONZE
 - SHELL: STAINLESS STEEL
 - FINISHED:
 - TERMINAL: Ni PLATED UNDER,Au PLATED ON CONTACT AREA,G/F PLATED ON SOLDER TAIL
 - SHELL: Ni PLATED UNDER,G/F PLATED ON SOLDER TAIL



Since 1987 步步精科技

T-CARD P/N	PIN NAME
T1	DAT2
T2	CD/DAT3
T3	CMD
T4	VDD
T5	CLK
T6	VSS
T7	DAT0
T8	DAT1

NANO SIM P/N	PIN NAME
P1 A/B	VCC
P2 A/B	RST
P3 A/B	CLK
P5 A/B	GND
P6 A/B	VPP
P7 A/B	I/O



THIS DOCUMENT IS THE SOLE PROPERTY OF BBJconn Technology Co.,Ltd. Corporation AND SHOULD NOT BE USED IN WHOLE OR IN PART WITHOUT PRIOR WRITTEN PERMISSION.

PDWG:NO: 0302-1

深圳市步步精科技有限公司

NAME: 卡座 三选二双NANO+T H=2.50 贴片 无柱 编带

APPD. JM_Zheng

CHKD. LYX

DR. TSP

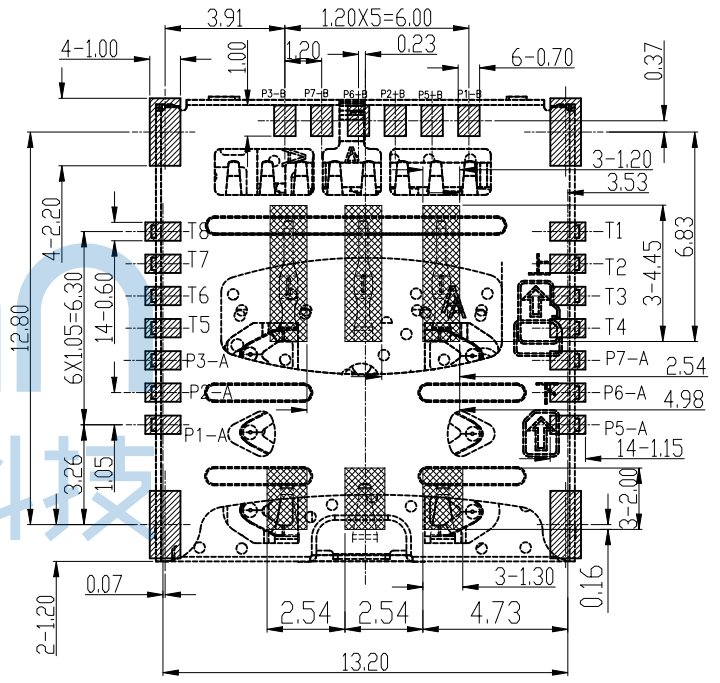
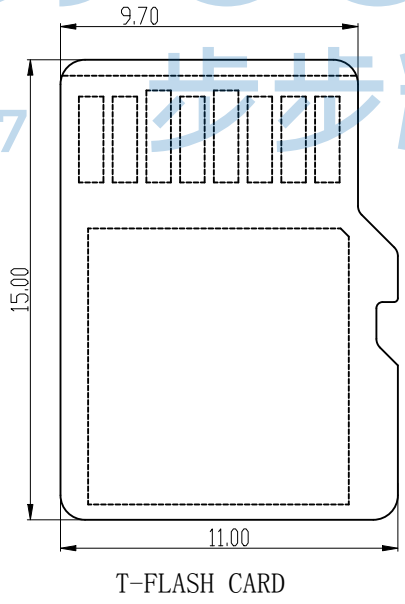
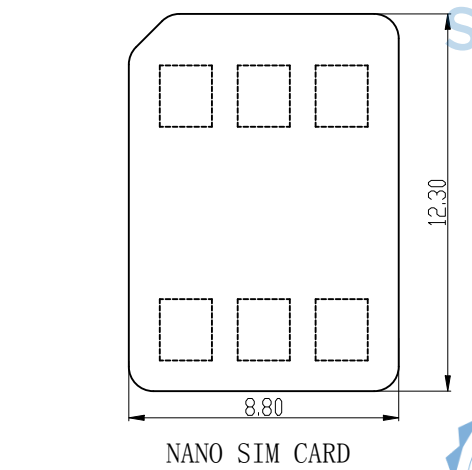
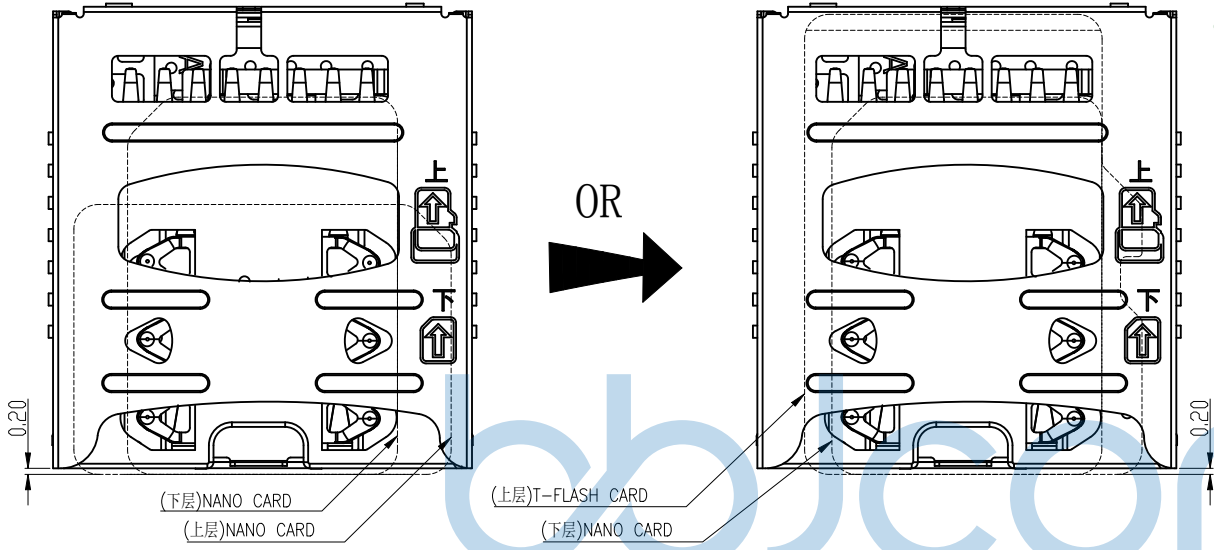
PJ. NO.: 142-222-140001-V8G

SIZE: A4 DRW NO.:

FINISH: SEE NOTES MAT'L.: SEE NOTES

SCALE: N/A REV.: A0 UNIT: mm PAGE: 1/3

REV.	ECN NO	CONTENT	DATE	ENGINEER
A0		Initial release	/	TSP

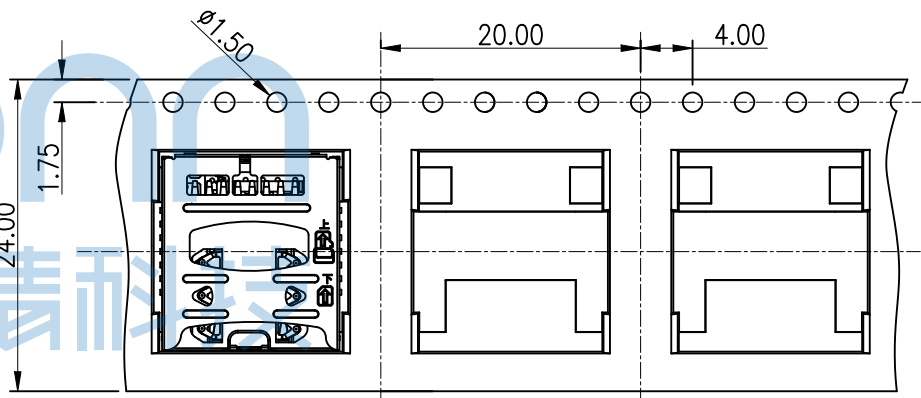
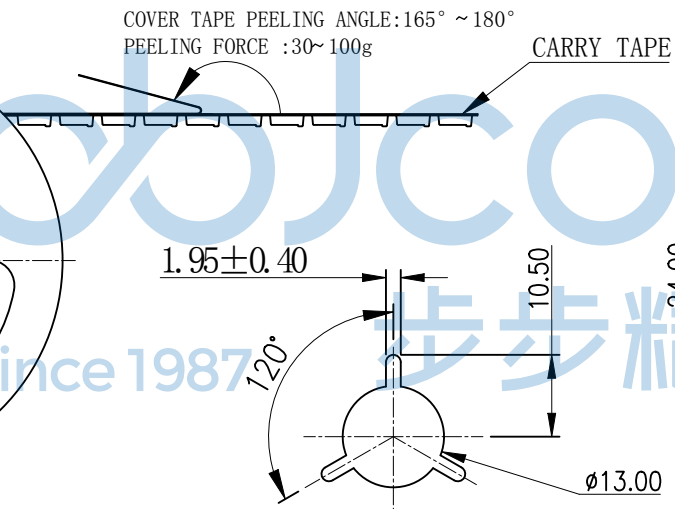
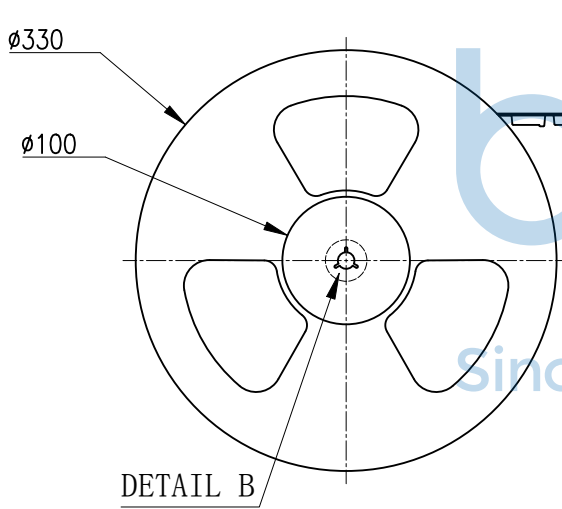
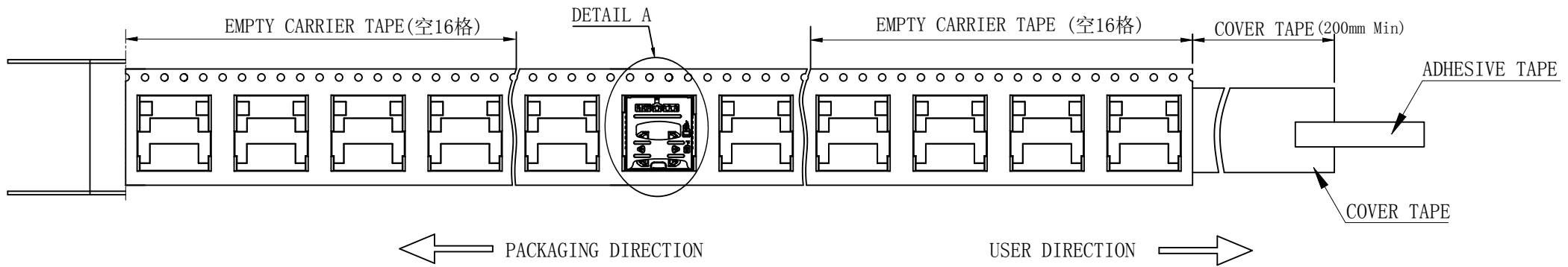


RECOMMENDED PCB LAYOUT (TOLERANCE ± 0.05)
RECOMMENDED METAL MASK $T=0.12\text{mm}$ SCALE: 1:1

PAD AREA NO CIKUIT AREA (TOP VIEW)

THIS DOCUMENT IS THE SOLE PROPERTY OF BBJconn Technology Co., Ltd. Corporation AND SHOULD NOT BE USED IN WHOLE OR IN PART WITHOUT PRIOR WRITTEN PERMISSION.		深圳市步步精科技有限公司	
PDWG.NO: 0302-1		NAME: 卡座 三选二双NANO+T H=2.50 贴片 无柱 编带	
APPD. JM_Zheng	CHKD. LYX	PJ. NO.: 142-222-140001-V8G	
DR. TSP		SIZE: A4 DRW NO.:	
		FINISH: SEE NOTES MAT'L.: SEE NOTES	
		SCALE: N/A	REV.: A0 UNIT: mm PAGE: 2/3

REV.	ECN NO	CONTENT	DATE	ENGINEER
A0		Initial release	/	TSP



1000	12	12000	340X340X352
QTY/REEL	REEL/CARTON	QTY/CARTON	CARTON SIZE

THIS DOCUMENT IS THE SOLE PROPERTY OF BBJconn Technology Co., Ltd. Corporation AND SHOULD NOT BE USED IN WHOLE OR IN PART WITHOUT PRIOR WRITTEN PERMISSION.		深圳市步步精科技有限公司 NAME: 卡座 三选二双NANO+T H=2.50 贴片 无柱 编带	
APPD.	JM_Zheng	PJ. NO.: 142-222-140001-V8G SIZE: A4 DRW NO.:	FINISH: SEE NOTES MAT'L.: SEE NOTES SCALE: N/A REV.: A0 UNIT: mm PAGE: 3/3
CHKD.	LYX		
PDWG. NO:	0302-1	DR.	TSP