

REV.	ECN NO.	CONTENT	DATE	ENGINEER
A0		Initial release	/	SGF

SPECIFICATION

A: MATERIAL:

- 1. HOUSING: PA66, UL 94V-0
- 2. PIN & TERMINAL: COPPER ALLOY, TIN PLATED

B: CHARACTERISTICS:

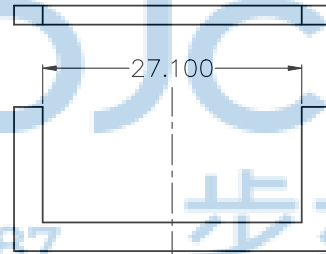
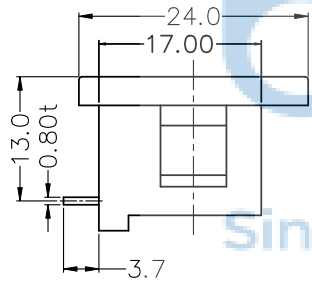
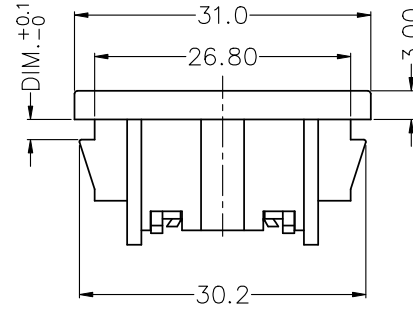
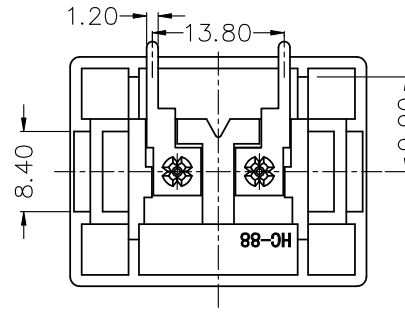
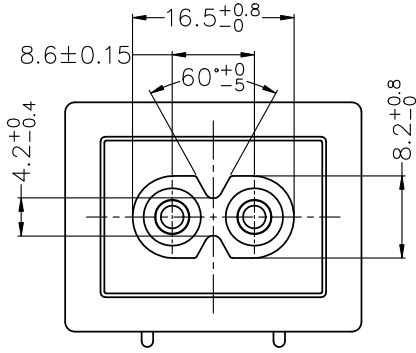
- 1. RATING: 2.5A 250V~ VDE, KC, CCC  
2.5A 250V~ & 7A 125V~ UL
- 2. INSULATION RESISTANCE: 100MΩ MIN, AT 500V DC
- 3. ELECTRIC STRENGTH: AC 2000V FOR ONE MINUTE

C: APPROVALS:

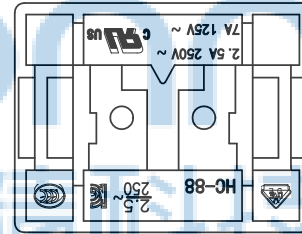
UL, CUL, VDE, KC & CCC

E: ORDERING INFORMATION:

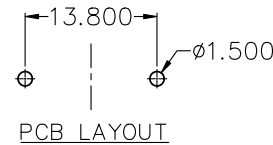
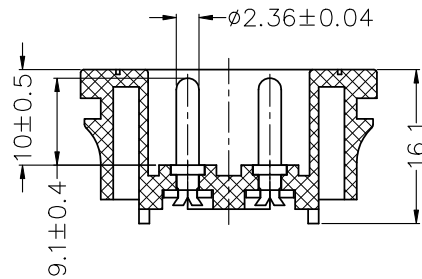
P/N	DIM.X	PANEL THICKNESS
HC-88-05B0B15S-P21(新模硬卡)	1.6mm	1.5 mm
HC-88-05B0B20S-P21(新模硬卡)	2.1mm	2.0 mm



PANEL CUT-OUT THICKNESS: 1.5 & 2.0



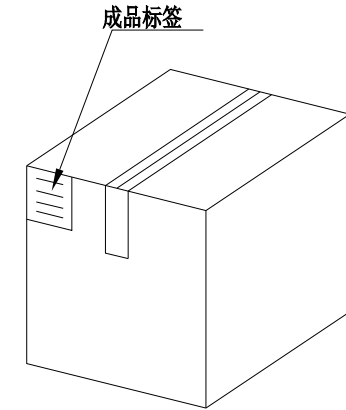
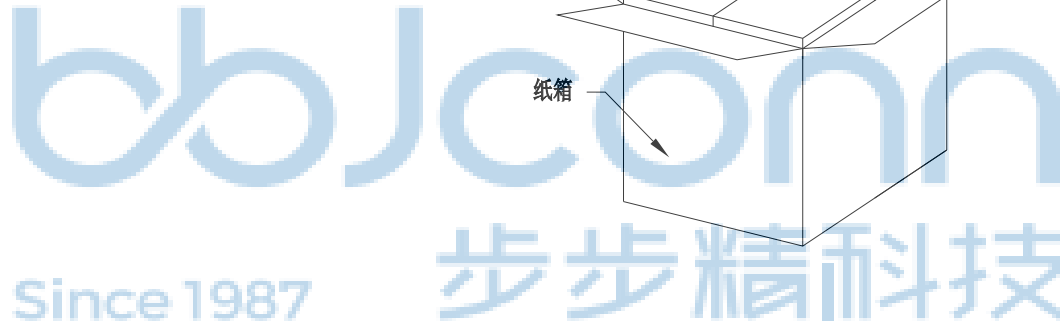
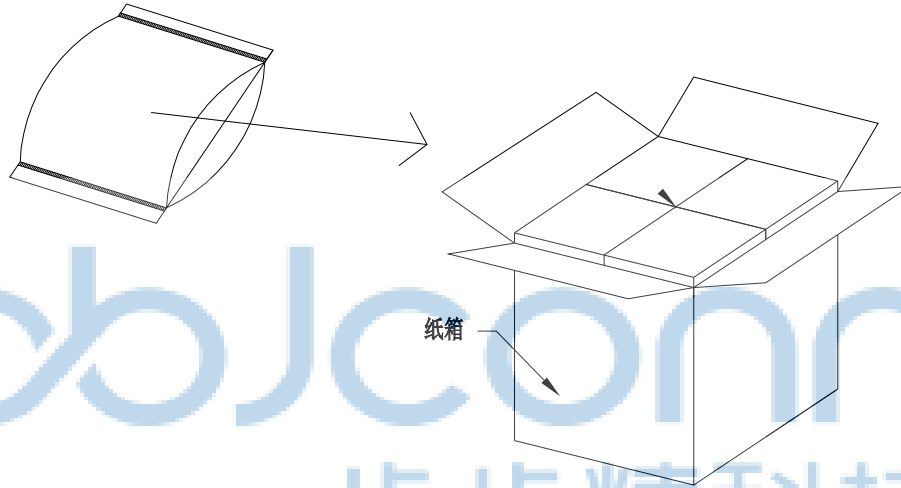
Marking



THIS DOCUMENT IS THE SOLE PROPERTY OF BBJconn Technology Co., Ltd. Corporation AND SHOULD NOT BE USED IN WHOLE OR IN PART WITHOUT PRIOR WRITTEN PERMISSION.		<b>深圳市步步精科技有限公司</b>	
PDWG.NO: 0004-1		DR. SGF	NAME: AC座 HC-88-05B0B20S-P21
APPD. JM_Zheng	CHKD. LYX	PJ. NO.: AC.01.11-21-0009	SIZE: A4   DRW NO.:
FINISH: SEE NOTES		MAT'L.: SEE NOTES	
SCALE: N/A		REV.: A0	UNIT: mm   PAGE: 1/2

REV.	ECN NO.	CONTENT	DATE	ENGINEER
A0		Initial release	/	SGF

PE袋规格:\*\*\*X\*\*\* (以实际出货为准)



1. 包装要求:

- 1.1 每PE袋包装 50 PCS;
- 1.2 每1袋放一小纸盒;
- 1.3 每20个小纸盒放一个纸箱, 共计 100 PCS
- 1.4 纸箱外贴上标签



THIS DOCUMENT IS THE SOLE PROPERTY OF BBJconn Technology Co.,Ltd. Corporation AND SHOULD NOT BE USED IN WHOLE OR IN PART WITHOUT PRIOR WRITTEN PERMISSION.		<b>深圳市步步精科技有限公司</b>	
.X: ±0.38    X': ±3" .XX: ±0.25    .X': ±2" .XXX: ±0.13    .XX': ±1"		NAME: AC座 HC-88-05B0B20S-P21	
APPD. JM_Zheng	PJ. NO.: AC.01.11-21-0009 SIZE: A4 DRW NO.:	FINISH: SEE NOTES    MAT'L.: SEE NOTES	
CHKD. LYX		SCALE: N/A    REV.: A0    UNIT: mm    PAGE: 2/2	
PDWG.NO: 0004-1	DR. SGF		