

REV.	ECN NO	CONTENT	DATE	ENGINEER
A0				

SPECIFICATION

SOCKET

1. RATING: 10A 250V~ VDE, KC, CCC
15A 250V~ UL
2. INSULATION RESISTANCE: 100MΩ MIN, AT 500V DC
3. ELECTRIC STRENGTH: AC 2000V FOR ONE MINUTE

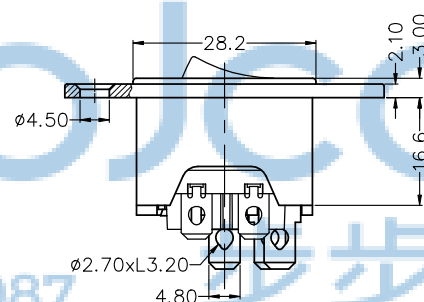
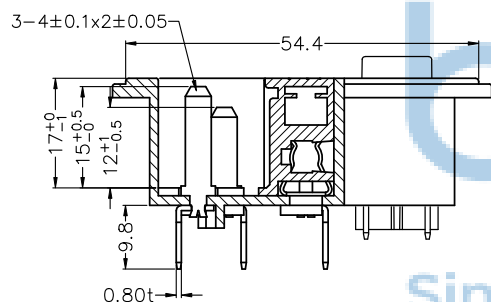
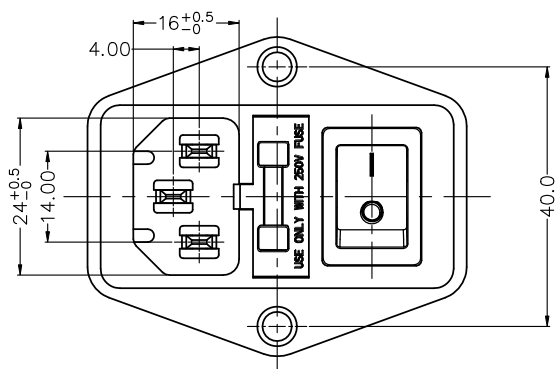
SWITCH

1. RATING: 10(6)A 125/250V~ & TV-5 UL
6(4)A 250V~ VDE, ENEC
6(4)A 125/250V~ CQC
2. INSULATION RESISTANCE: 100MΩ MIN, AT 500V DC
3. ELECTRIC STRENGTH: AC 1500V FOR ONE MINUTE
4. ELECTRICAL LIFE: 10,000 CYCLES MIN.

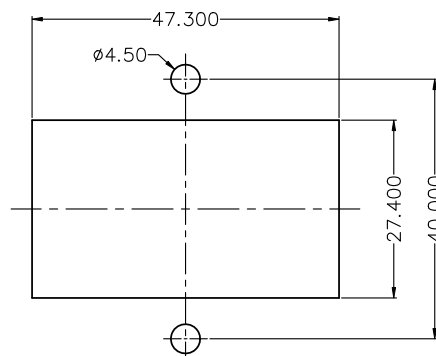
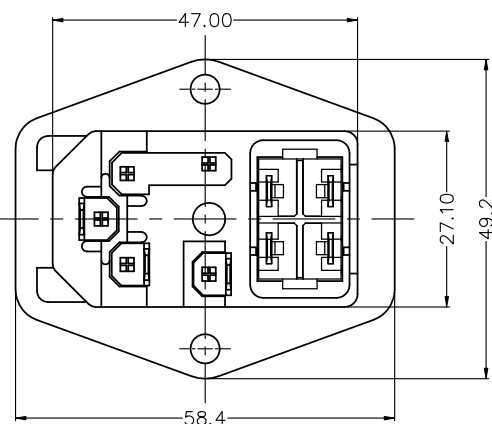
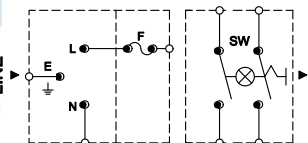


ORDERING INFORMATION:

P/N	SWITCH'S TERMINAL
HC-99-F5-S02+13	



DIAGRAM



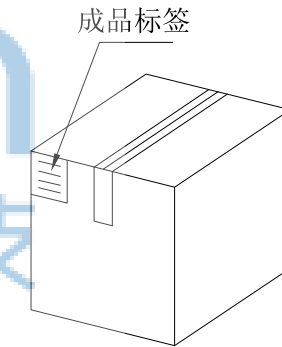
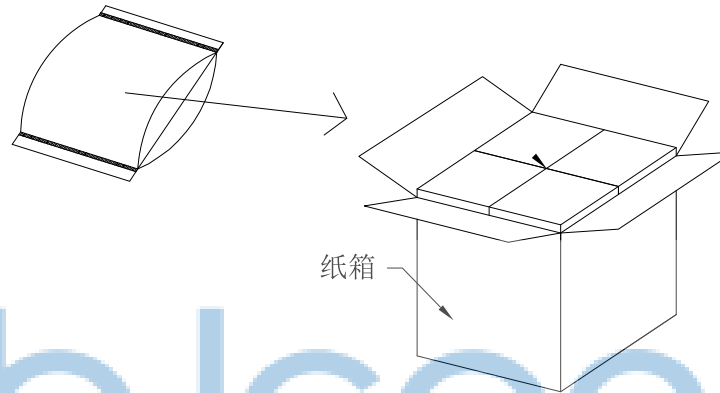
PANEL CUT-OUT



THIS DOCUMENT IS THE SOLE PROPERTY OF BBJconn Technology Co., Ltd. Corporation AND SHOULD NOT BE USED IN WHOLE OR IN PART WITHOUT PRIOR WRITTEN PERMISSION.	深圳市步步精科技有限公司 工程部		NAME: 船型开关+AC插座+保险丝 HC-99-F5-S02+13
PDWG.No.: 0004-1	APPD. JM_Zheng	PJ. NO.: AC.02.21-11-0003	SIZE: A4 DRW NO.:
	CHKD. TSP	FINISH: SEE NOTES	MAT'L.: SEE NOTES
	DR. LYX	SCALE: N/A	REV.: A0 UNIT: mm PAGE: 1/1

REV.	ECN NO.	CONTENT	DATE	ENGINEER
A0				

PE袋规格: 260*185



1. 包装要求:

- 1.1 每个PE袋包装15PCS ;
- 1.2 每1袋放一小纸盒;
- 1.3 每26个小纸盒放一个纸箱, 共计390PCS ;
- 1.4 纸箱外贴上标签



THIS DOCUMENT IS THE SOLE PROPERTY OF BBJconn Technology Co., Ltd. Corporation AND SHOULD NOT BE USED IN WHOLE OR IN PART WITHOUT PRIOR WRITTEN PERMISSION.		深圳市步步精科技有限公司 .X: ±0.38 X': ±3" .XX: ±0.25 X'': ±2" .XXX: ±0.13 .XX': ±1"		NAME: 船型开关+AC插座+保险丝 HC-99-F5-S02+13		
APPD.	JM_Zheng	PJ. NO.: AC.02.21-11-0003 SIZE: A4 DRW NO.:		FINISH: SEE NOTES MAT'L.: SEE NOTES		
CHKD.	TSP			SCALE: N/A	REV.: A0	UNIT: mm
PDWG.NO:	0004-1	DR.	LYX			