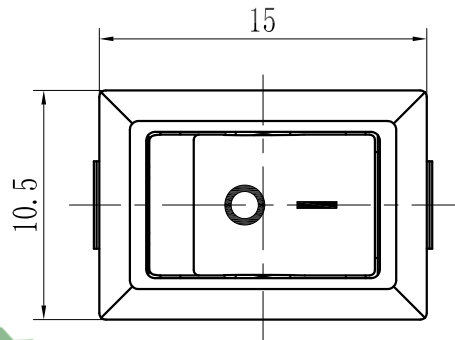
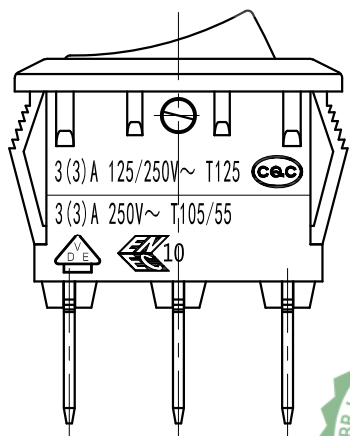
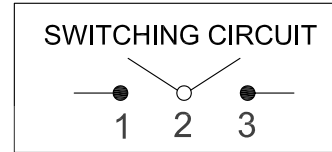
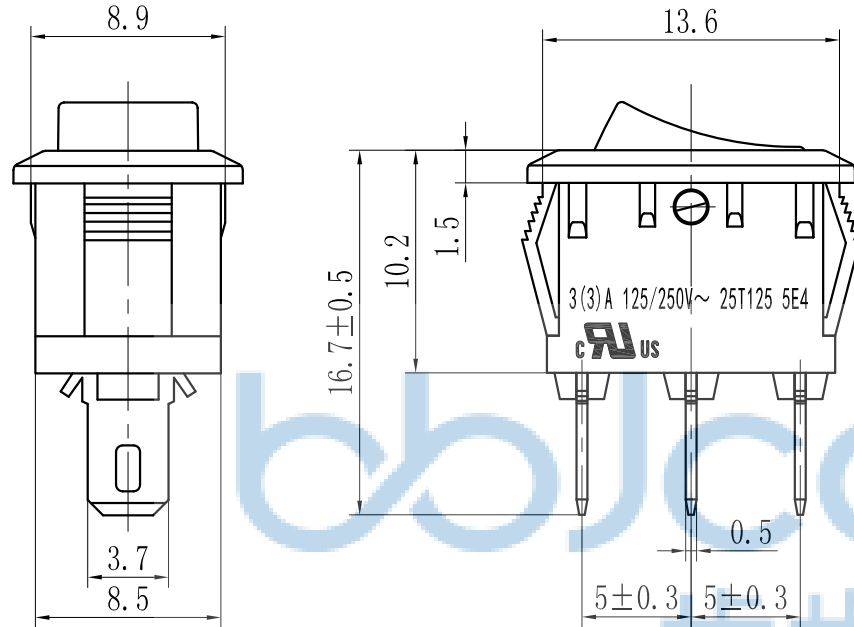


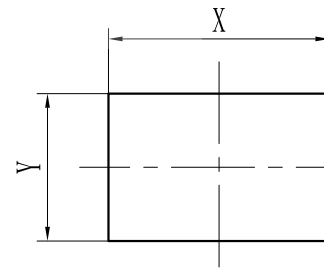
REV.	ECN NO	CONTENT	DATE	ENGINEER
A0		Initial release	/	SGF

Technical requirements:

- Rating :
CQC, UL: 3(3) A 125/250V~
VDE: 3(3) A 250V~
- Operating force: 500±300gf
- Contact resistance: ≤50mΩ
- Electrical life: ≥10000 cycles
- Withstand Voltage :Between all terminals:
1500VAC (50-60Hz) 5s
Terminals to Button:
3000V AC (50-60Hz) 5s
Leakage Current : 5mA
- Insulation Resistance : ≥100MΩ 500V DC
- Environmental temperature: : -25~+125℃



PANEL CUT-OUT



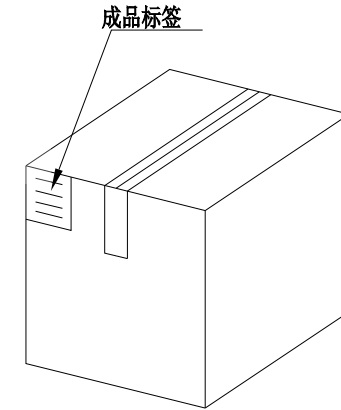
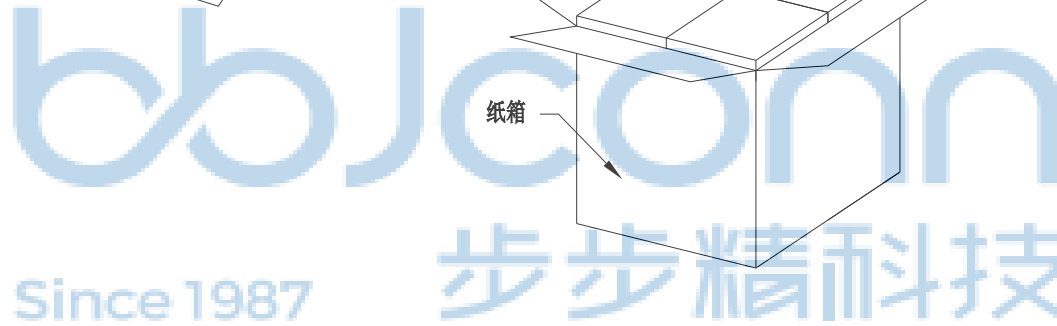
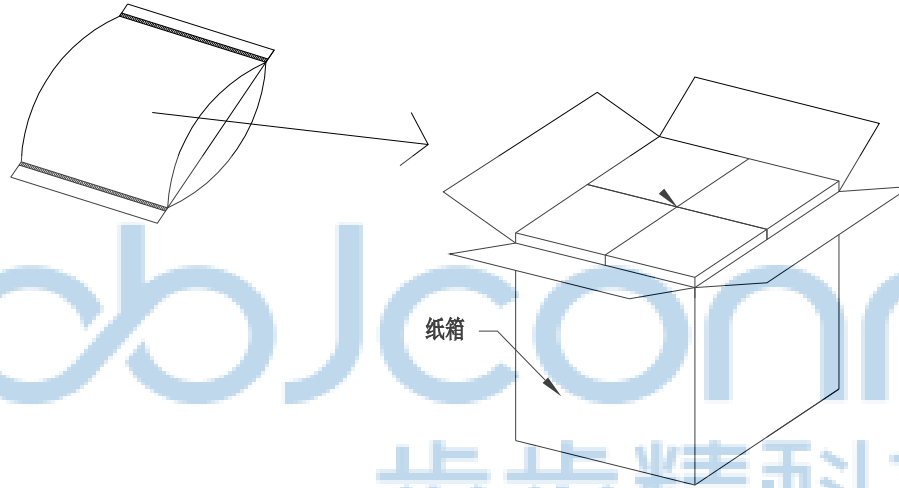
PANEL THICKNESS	DIM.X	DIM.Y
0.75~1.25	13.5~13.7	9.0
1.25~2.0	13.8~14.0	9.0
2.0~3.0	14.1~14.3	9.0



THIS DOCUMENT IS THE SOLE PROPERTY OF BBJconn Technology Co.,Ltd. Corporation AND SHOULD NOT BE USED IN WHOLE OR IN PART WITHOUT PRIOR WRITTEN PERMISSION.		深圳市步步精科技有限公司 NAME: 船型开关 HS8-F9-5-03H200-BB03 三脚直插	
PDWG.NO: 0004-1	DR. SGF	APPD. JM_Zheng	PJ. NO.: RS.07.11-21-2003 SIZE: A4 DRW NO.: FINISH: SEE NOTES MAT'L.: SEE NOTES SCALE: N/A REV.: A0 UNIT: mm PAGE: 1/2

REV.	ECN NO	CONTENT	DATE	ENGINEER
A0		Initial release	/	SGF

PE袋规格:***X*** (以实际出货为准)



1. 包装要求:

- 1.1 每PE袋包装 500 pcs;
- 1.2 每1袋放一小纸盒;
- 1.3 每20个小纸盒放一个纸箱, 共计10000PCS
- 1.4 纸箱外贴上标签



THIS DOCUMENT IS THE SOLE PROPERTY OF BBJconn Technology Co.,Ltd. Corporation AND SHOULD NOT BE USED IN WHOLE OR IN PART WITHOUT PRIOR WRITTEN PERMISSION.		深圳市步步精科技有限公司 工程管理部	
PDWG.NO: 0004-1	DR. SGF	.X: ±0.38 .XX: ±0.25 .XXX: ±0.13	X': ±3" .X': ±2" .XX': ±1"
NAME: 船型开关 HS8-F9-5-03H200-BB03 三脚直插		APPD. JM_Zheng CHKD. LYX	
P.J. NO.: RS.07.11-21-2003		FINISH: SEE NOTES SCALE: N/A	
SIZE: A4		MAT'L.: SEE NOTES REV.: A0	
UNIT: mm		PAGE: 2/2	