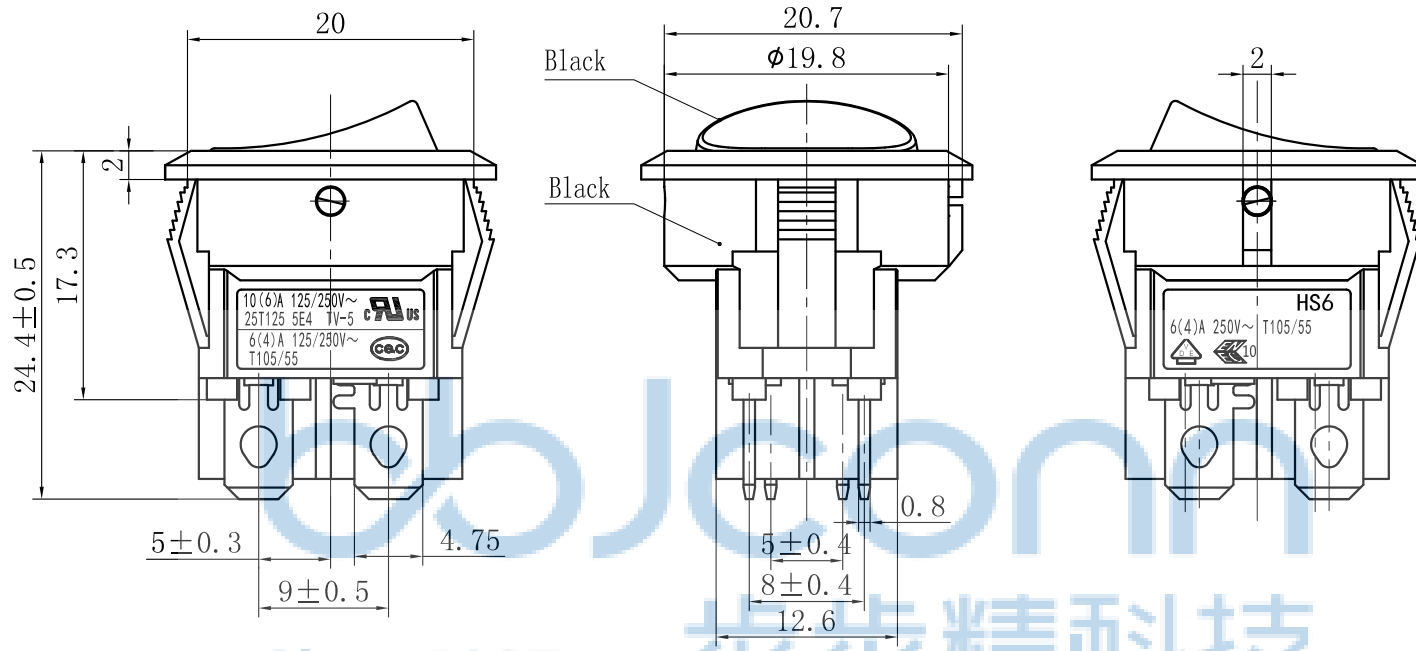


REV.	ECN NO.	CONTENT	DATE	ENGINEER
A0		Initial release	/	SGF

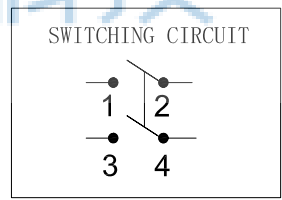
**Technical requirements:**

- Rating :  
CQC : 6 (4) A 125/250V~  
VDE, ENEC : 6 (4) A 250V~  
UL , cUL 10(6) A 125/250V~  
TV-5
- Operating force: 800±400gf
- Contact resistance: ≤50mΩ
- Electrical life: ≥10000 cycles
- Withstand Voltage Between all terminals:  
1500VAC (50-60Hz) 1min  
Terminals to Button:  
3000V AC (50-60Hz) 1min  
Leakage Current : 20mA
- Insulation Resistance ≥100MΩ 500V DC
- Environmental temperature: -25~+125°C

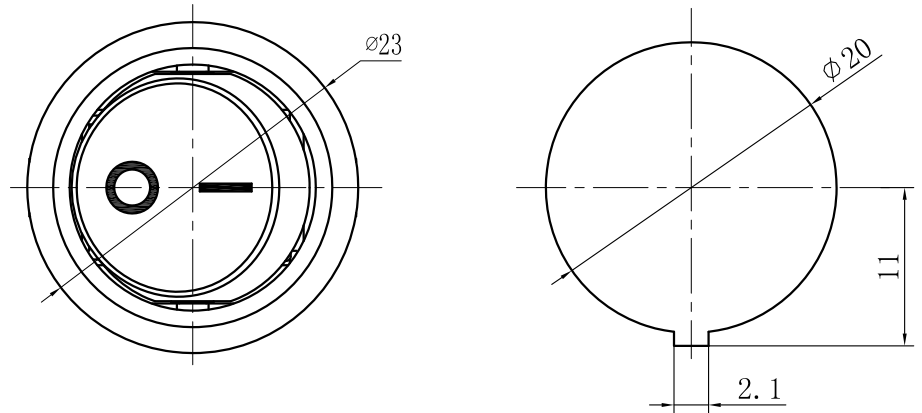


Since 1987

步步精科技



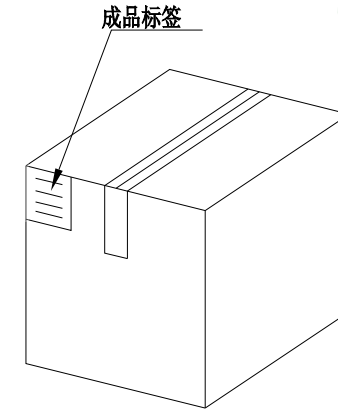
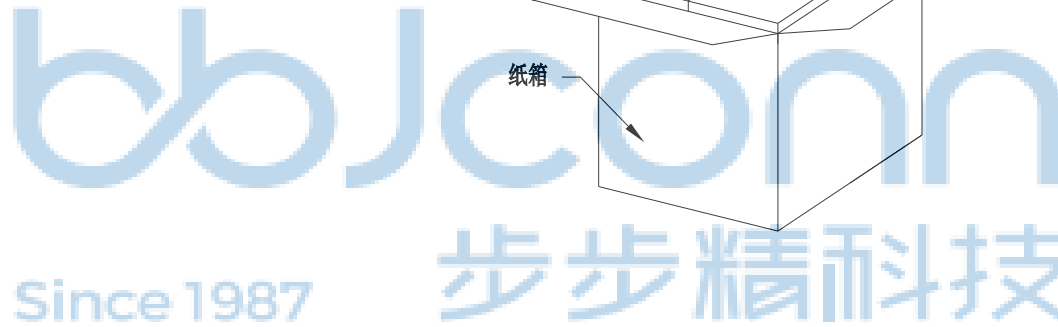
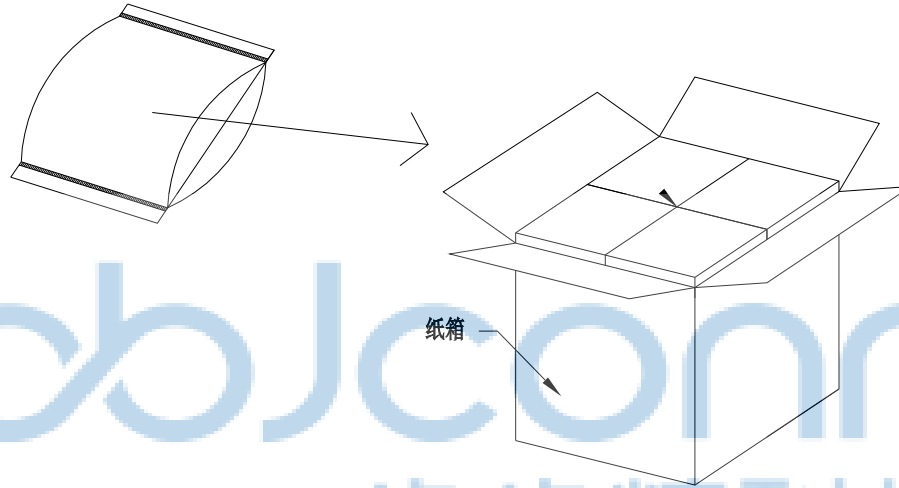
PANEL CUT-OUT



THIS DOCUMENT IS THE SOLE PROPERTY OF BBJconn Technology Co., Ltd. Corporation AND SHOULD NOT BE USED IN WHOLE OR IN PART WITHOUT PRIOR WRITTEN PERMISSION.		深圳市步步精科技有限公司 .X: ±0.38 .X': ±3" .XX: ±0.25 .X": ±2" .XXX: ±0.13 .XX': ±1"		NAME: 船型开关-HS6-Y2-6-04Q100-BB03	
APPD.	JM_Zheng	PJ. NO.: RS.17.11-22-2004 SIZE: A4 DRW NO.:		FINISH: SEE NOTES MAT'L.: SEE NOTES	
CHKD.	LYX	SCALE: N/A		REV.: A0	UNIT: mm
PDWG.NO:	0004-1	DR.	SGF	PAGE: 1/2	

REV.	ECN NO	CONTENT	DATE	ENGINEER
A0		Initial release	/	SGF

PE袋规格:\*\*\*X\*\*\* (以实际出货为准)



1. 包装要求:

- 1.1 每PE袋包装 300 pcs;
- 1.2 每1袋放一小纸盒;
- 1.3 每20个小纸盒放一个纸箱, 共计6000 PCS
- 1.4 纸箱外贴上标签

THIS DOCUMENT IS THE SOLE PROPERTY OF BBJconn Technology Co.,Ltd. Corporation AND SHOULD NOT BE USED IN WHOLE OR IN PART WITHOUT PRIOR WRITTEN PERMISSION.		<b>深圳市步步精科技有限公司</b> 工程管理部	
PDWG.NO: 0004-1		.X: ±0.38 X': ±3" .XX: ±0.25 X'': ±2" .XXX: ±0.13 XX': ±1"	
APPD.	JM_Zheng	NAME: 船型开关-HS6-Y2-6-04Q100-BB03	
CHKD.	LYX	PJ. NO.: RS.17.11-22-2004	
DR.	SGF	SIZE: A4 DRW NO.:	
		FINISH: SEE NOTES MAT'L.: SEE NOTES	
		SCALE: N/A REV.: A0 UNIT: mm PAGE: 2/2	