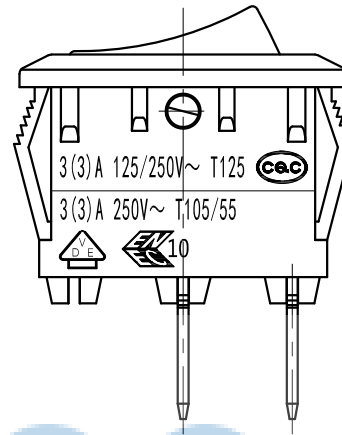
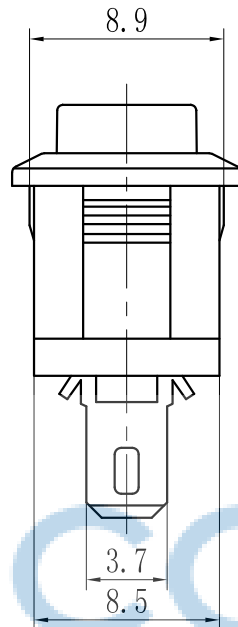
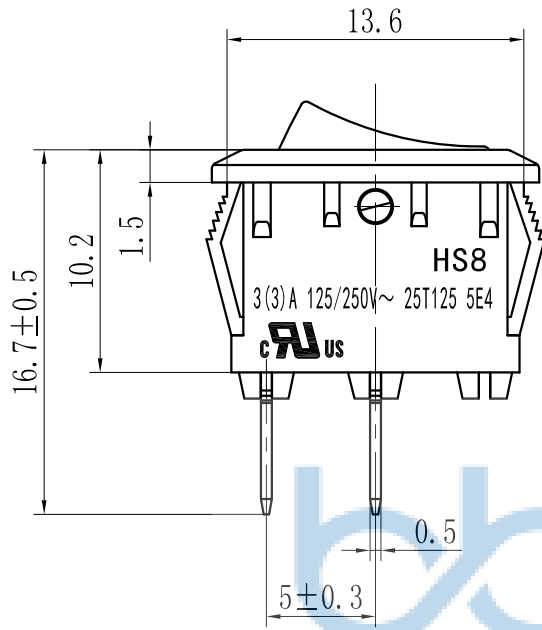
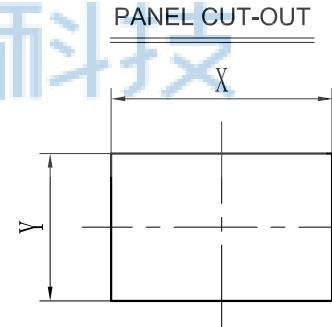
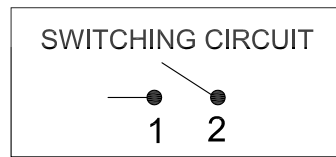
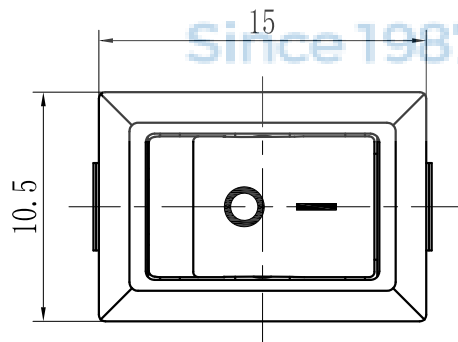


REV.	ECN NO.	CONTENT	DATE	ENGINEER
A0		Initial release	/	SGF



Technical requirements:

- Rating :
CQC, UL: 3(3) A 125/250V~
VDE: 3(3) A 250V~
- Operating force: 500±300gf
- Contact resistance: ≤50mΩ
- Electrical life: ≥10000 cycles
- Withstand Voltage :Between all terminals:
1500VAC (50-60Hz) 5s
Terminals to Button:
3000V AC (50-60Hz) 5s
Leakage Current : 5mA
- Insulation Resistance : ≥100MΩ 500V DC
- Environmental temperature: : -25~+125°C



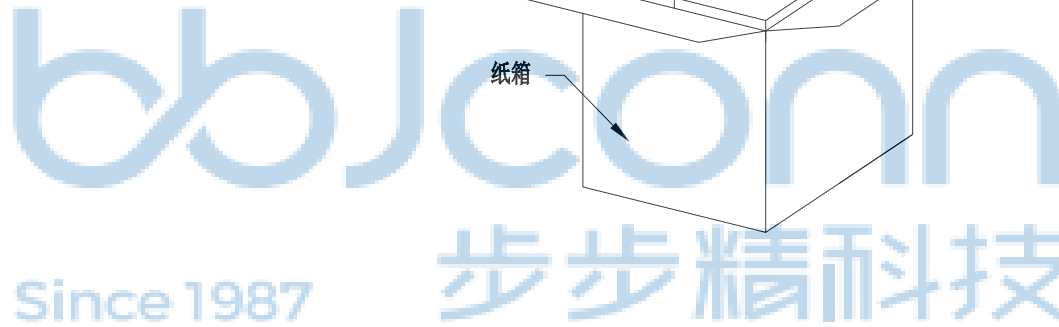
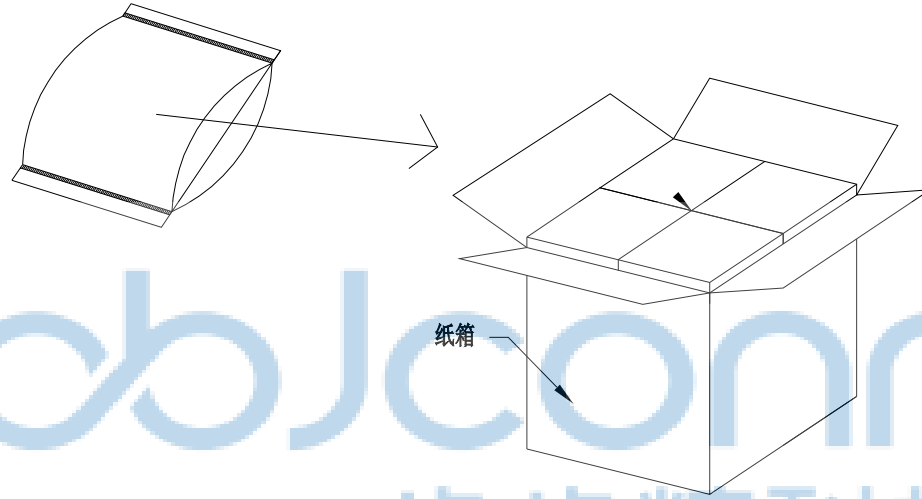
PANEL THICKNESS	DIM.X	DIM.Y
0.75~1.25	13.5~13.7	9.0
1.25~2.0	13.8~14.0	9.0
2.0~3.0	14.1~14.3	9.0



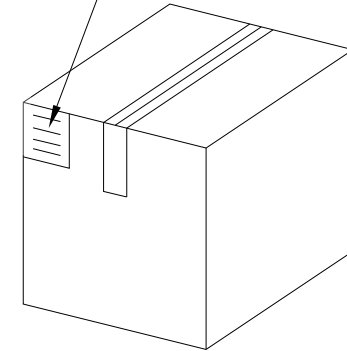
THIS DOCUMENT IS THE SOLE PROPERTY OF BBJconn Technology Co.,Ltd. Corporation AND SHOULD NOT BE USED IN WHOLE OR IN PART WITHOUT PRIOR WRITTEN PERMISSION.		深圳市步步精科技有限公司	
.X: ±0.38 .XX: ±0.25 .XXX: ±0.13		X': ±3" X'': ±2" X''': ±1"	
APPD.	JM_Zheng	NAME: 船型开关 HS8-F9-5-01H200-BR03(R4) 两脚插	
CHKD.	LYX	P.J. NO.: RS.17.11-22-2009	
PDWG.NO:	0004-1	SIZE: A4 DRW NO.:	
DR.	SGF	FINISH: SEE NOTES MAT'L.: SEE NOTES	
		SCALE: N/A	REV.: A0
		UNIT: mm	PAGE: 1/2

REV.	ECN NO	CONTENT	DATE	ENGINEER
A0		Initial release	/	SGF

PE袋规格:***X*** (以实际出货为准)



成品标签



1. 包装要求:

- 1.1 每PE袋包装 500 pcs;
- 1.2 每1袋放一小纸盒;
- 1.3 每20个小纸盒放一个纸箱, 共计10000PCS
- 1.4 纸箱外贴上标签

THIS DOCUMENT IS THE SOLE PROPERTY OF BBJconn Technology Co.,Ltd. Corporation AND SHOULD NOT BE USED IN WHOLE OR IN PART WITHOUT PRIOR WRITTEN PERMISSION.		深圳市步步精科技有限公司 .X: ±0.38 .X': ±3" .XX: ±0.25 .X': ±2" .XXX: ±0.13 .XX': ±1"		NAME: 船型开关 HS8-F9-5-01H200-BR03(R4) 两脚插	
APPD.	JM_Zheng	PJ. NO.: RS.17.11-22-2009 SIZE: A4 DRW NO.:		FINISH: SEE NOTES MAT'L.: SEE NOTES	
CHKD.	LYX	SCALE: N/A		REV.: A0	UNIT: mm
PDWG.NO:	0004-1	DR.	SGF	PAGE: 2/2	