

REV.	ECN NO	CONTENT	DATE	ENGINEER
A0				

SPECIFICATION

A: MATERIAL:

- 1.HOUSING: PC, UL 94V-0
- 2.TERMINAL: COPPER ALLOY, TIN PLATED

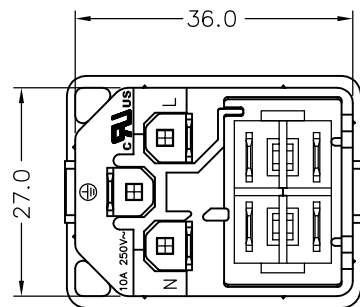
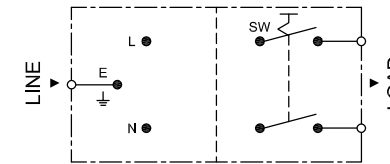
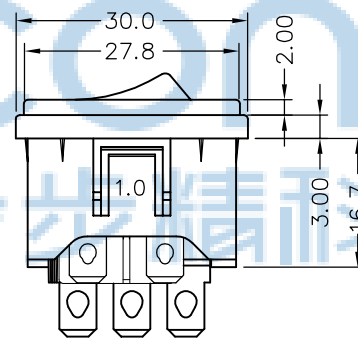
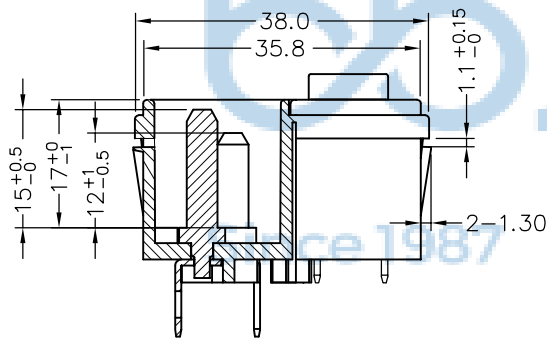
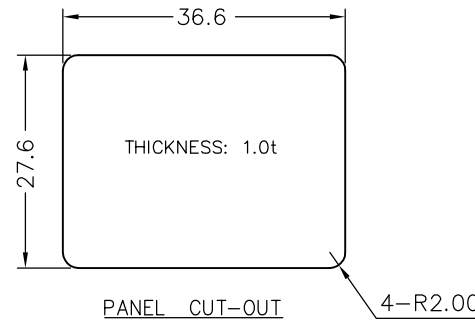
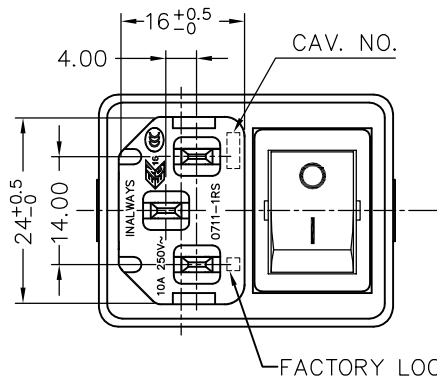
B: CHARACTERISTICS:

- 1.RATING: 10A 250V~
- 2.INSULATION RESISTANCE : 100MΩ MIN, AT 500V DC
- 3.ELECTRIC STRENGTH: AC 2,000V FOR ONE MINUTE

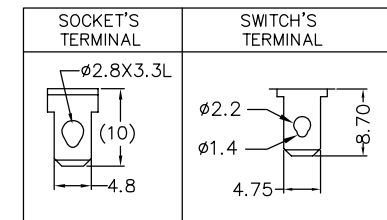
C: APPROVALS:

UL, CUL, ENEC & CCC

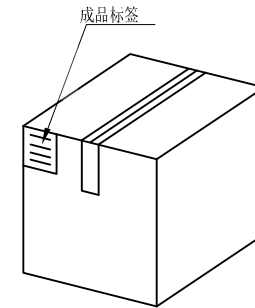
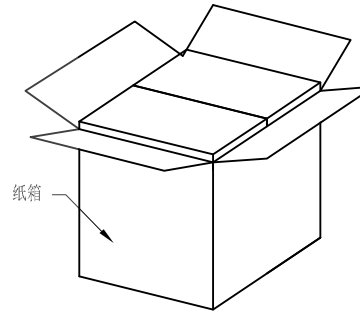
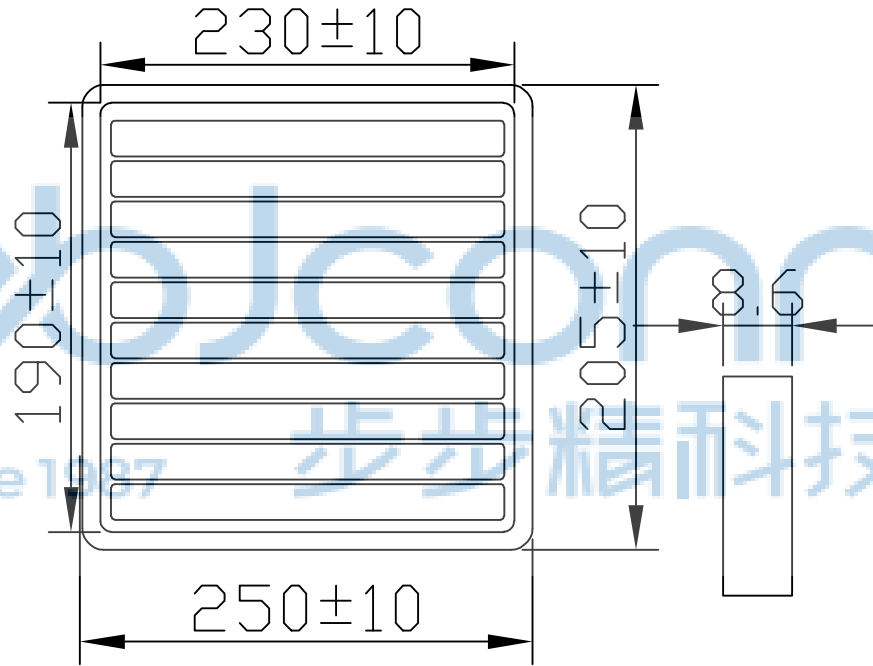
D: EQUIVALENT CIRCUIT



E: NOTE



THIS DOCUMENT IS THE SOLE PROPERTY OF BBJconn Technology Co.,Ltd. Corporation AND SHOULD NOT BE USED IN WHOLE OR IN PART WITHOUT PRIOR WRITTEN PERMISSION.		深圳市步步精科技有限公司 工程部 APPROVED	
PDWG.NO: 0008-1	DR. LHC	.X: ±0.38 .XX: ±0.25 .XXX: ±0.13	X': ±3" .X': ±2" .XX': ±1"
NAME: AC插座+船型开关 (0711-1RS-PQD10-A-HM-CBK)		PJ. NO.: 114-270-110002-U5G SIZE: A4 DRW NO.: FINISH: SEE NOTES MAT'L.: SEE NOTES	
SCALE: N/A		REV.: A0	UNIT: mm PAGE: 1/2



纸箱规格: 350*210*290

1. 包装要求:

- 1.1 每盒吸塑盒包装 60 pcs;
- 1.2 每10 盘放一箱, 共计 600 PCS;
- 1.3 纸箱外贴上标签



THIS DOCUMENT IS THE SOLE PROPERTY OF BBJconn Technology Co.,Ltd. Corporation AND SHOULD NOT BE USED IN WHOLE OR IN PART WITHOUT PRIOR WRITTEN PERMISSION.		深圳市步步精科技有限公司 .X: ±0.38 .X': ±3" .XX: ±0.25 .X": ±2" .XXX: ±0.13 .XX': ±1"		NAME: AC插座+船型开关 (0711-1RS-PQD10-A-HM-CBK)	
APPD.	JM_Zheng	PJ. NO.: 114-270-110002-U5G		SIZE: A4 DRW NO.:	
CHKD.	LYX	FINISH: SEE NOTES		MAT'L.: SEE NOTES	
PDWG.NO:	0008-1	DR.	LHC	SCALE: N/A	REV.: A3 UNIT: mm PAGE: 2/2