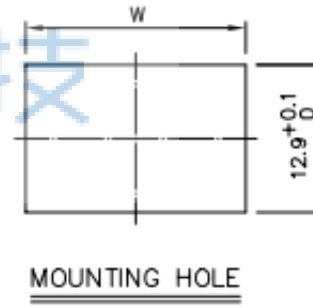
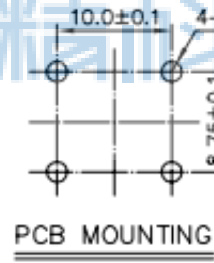
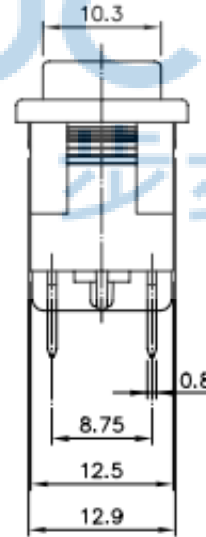
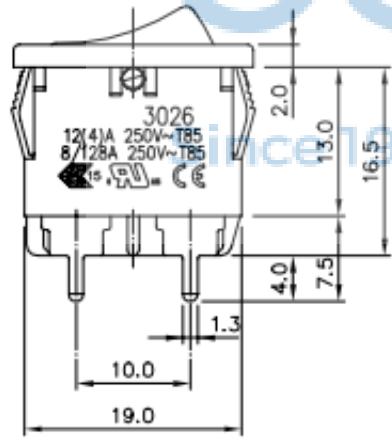
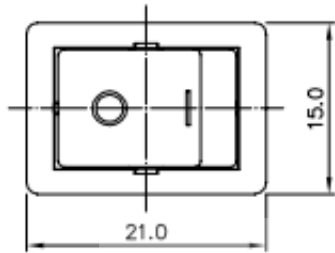


REV.	ECN NO	CONTENT	DATE	ENGINEER
A0		Initial release	/	SGF

RATING : 12(4)A 250V~T85 .
 INRUSH CURRENT : 128A CAPACITIVE 10000 OPERATIONS.
 (8/128A 250V~T85)
 CIRCUIT : ON - OFF , (DPST) .
 INSULATION RESISTANCE: DC 500V 100MΩ OR MORE .
 CONTACT RESISTANCE : DC 2-4V 1A 20mΩ OR LESS .
 WITHSTAND VOLTAGE : AC 1500V 1 Min .
 OPERATION FORCE : 350±200gf .
 ELECTRICAL LIFE : 10000 CYCLES .
 COLOR : KNOB - BLACK .
 BODY - BLACK .

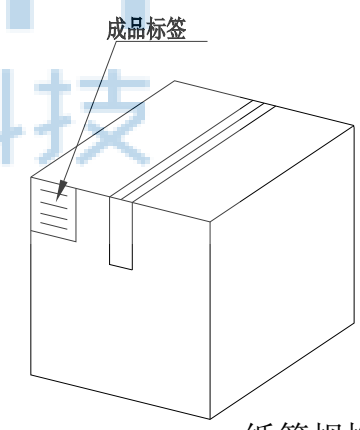
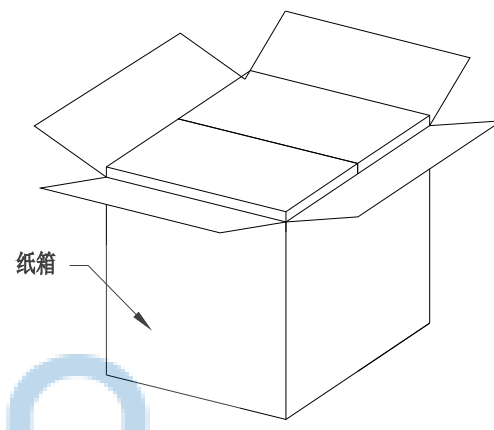
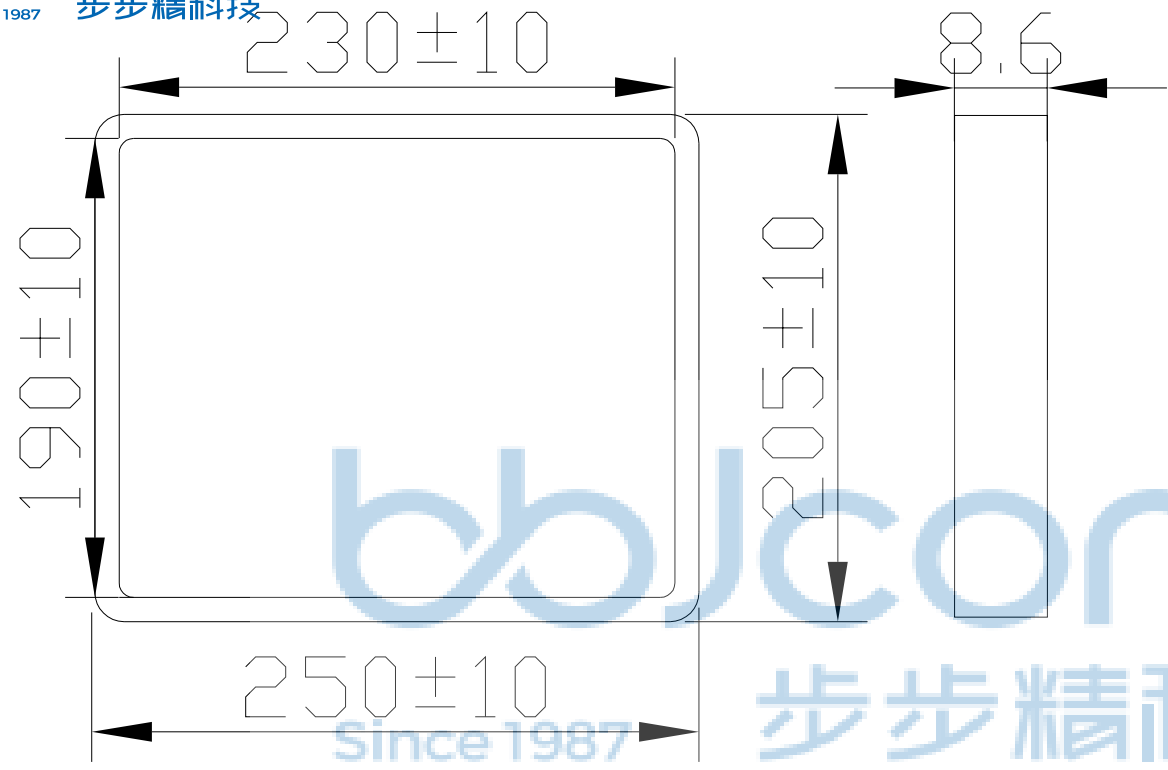


W	PANEL THICK
19.2	0.75~1.25
19.4	1.25~2.00
19.8	2.00~3.00



THIS DOCUMENT IS THE SOLE PROPERTY OF BBJconn Technology Co.,Ltd. Corporation AND SHOULD NOT BE USED IN WHOLE OR IN PART WITHOUT PRIOR WRITTEN PERMISSION.		深圳市步步精科技有限公司 .X: ±0.38 X': ±3' NAME: 船型开关 3026-P3T3DBKBK 四脚直插 .XX: ±0.25 X'': ±2' .XXX: ±0.13 XX': ±1'	
APPD.	JM_Zheng	PJ. NO.: RS.16.11-22-9002 SIZE: A4 DRW NO.:	
CHKD.	LYX		
PDWG.NO:	0008-1	FINISH: SEE NOTES	MAT'L.: SEE NOTES
DR.	SGF	SCALE: N/A	REV.: A0 UNIT: mm PAGE: 1/2

REV.	ECN NO	CONTENT	DATE	ENGINEER
A0		Initial release	/	SGF



1. 包装要求:
- 1.1 每盒吸塑盒包装100 pcs;
 - 1.2 每20盘放一箱, 共计2000PCS;
 - 1.3 纸箱外贴上标签



纸箱规格: 350*210*290

THIS DOCUMENT IS THE SOLE PROPERTY OF BBJconn Technology Co.,Ltd. Corporation AND SHOULD NOT BE USED IN WHOLE OR IN PART WITHOUT PRIOR WRITTEN PERMISSION.		深圳市步步精科技有限公司	
PDWG.NO: 0008-1		.X: ± 0.38 .XX: ± 0.25 .XXX: ± 0.13	X': $\pm 3'$.X': $\pm 2'$.XX': $\pm 1'$
APPD.	JM_Zheng	NAME: 船型开关 3026-P3T3DBKBK 四脚直插	
CHKD.	LYX	PJ. NO.: RS.16.11-22-9002	
DR.	SGF	SIZE: A4 DRW NO.:	
		FINISH: SEE NOTES MAT'L.: SEE NOTES	
		SCALE: N/A REV.: A0 UNIT: mm PAGE: 2/2	