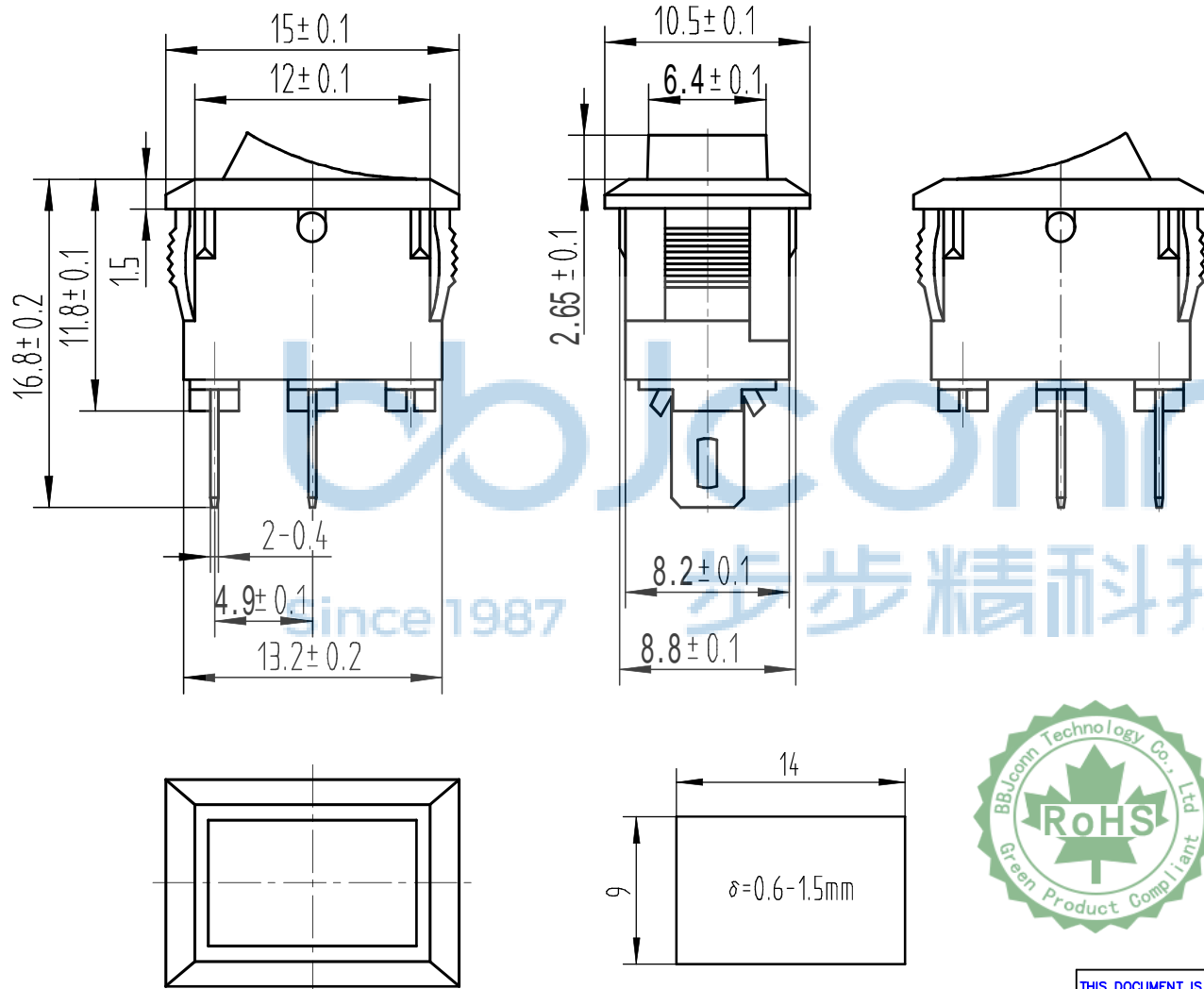


REV.	ECN NO	CONTENT	DATE	ENGINEER
A0		Initial release	/	SGF

技术要求

1. 按动按钮应活动灵活，声音清脆，无阻滞、杂音等现象；
2. 注塑件表面光洁，无凹痕、熔接不良、银丝斑纹以及裂纹等表面缺陷；金属件无变形、锈蚀、镀层脱落以及其它机械损伤。



主要技术参数及性能

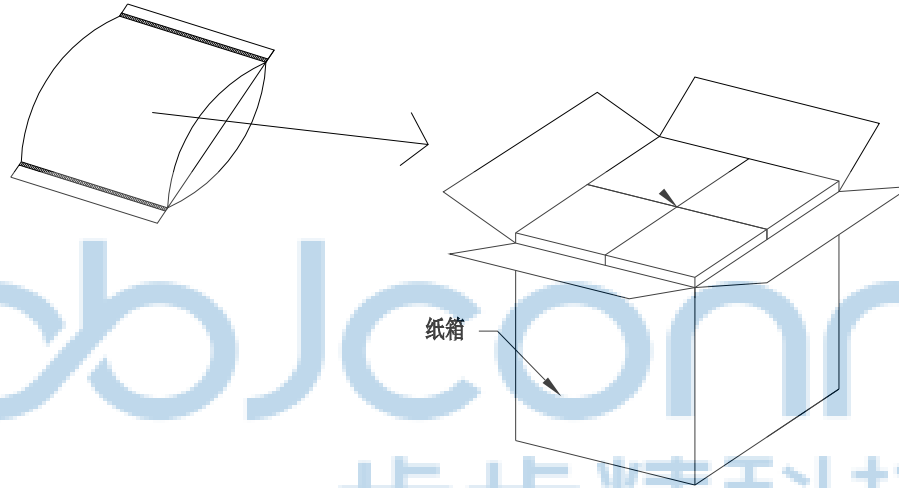
项目	参数
电路图	2P ON-OFF
额定电流电压	4 A 250V AC
	6A 125V AC
绝缘电阻	≥100MΩ
接触电阻	<50mΩ
介电强度(极间)	≥500VAC/min
(极对外壳)	≥3000VAC/min
电器寿命	10000次
环境温度	



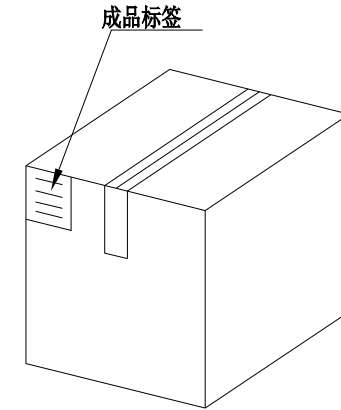
THIS DOCUMENT IS THE SOLE PROPERTY OF BBJconn Technology Co.,Ltd. Corporation AND SHOULD NOT BE USED IN WHOLE OR IN PART WITHOUT PRIOR WRITTEN PERMISSION.		深圳市步步精科技有限公司 NAME: 船型开关-601K-10111BB 铜点	
PDWG.NO: 0199-2	DR. SGF	APPD. JM_Zheng	PJ. NO.: RS.07.11-21-1017 SIZE: A4 DRW NO.: FINISH: SEE NOTES MAT'L.: SEE NOTES SCALE: N/A REV.: A0 UNIT: mm PAGE: 1/2

REV.	ECN NO	CONTENT	DATE	ENGINEER
A0		Initial release	/	SGF

PE袋规格:***X*** (以实际出货为准)



bbJconn
Since 1987 步步精科技



1. 包装要求:

- 1.1 每PE袋包装 500 pcs;
- 1.2 每1袋放一小纸盒;
- 1.3 每20个小纸盒放一个纸箱, 共计10000PCS
- 1.4 纸箱外贴上标签



THIS DOCUMENT IS THE SOLE PROPERTY OF BBJconn Technology Co.,Ltd. Corporation AND SHOULD NOT BE USED IN WHOLE OR IN PART WITHOUT PRIOR WRITTEN PERMISSION.		深圳市步步精科技有限公司 工程部 APPROVED	
PDWG:NO: 0199-2		.X: ±0.38 .X': ±3" .XX: ±0.25 .X'': ±2" .XXX: ±0.13 .XX': ±1"	
APPD.	JM_Zheng	NAME: 船型开关-601K-10111BB 铜点	
CHKD.	LYX	PJ. NO.: RS.07.11-21-1017	
DR.	SGF	SIZE: A4 DRW NO.:	
		FINISH: SEE NOTES MAT'L.: SEE NOTES	
		SCALE: N/A REV.: A0 UNIT: mm PAGE: 2/2	