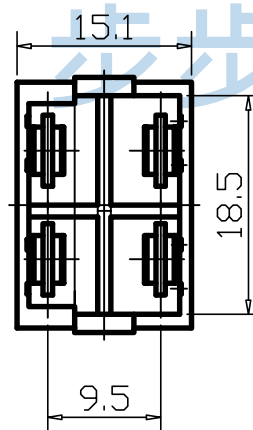
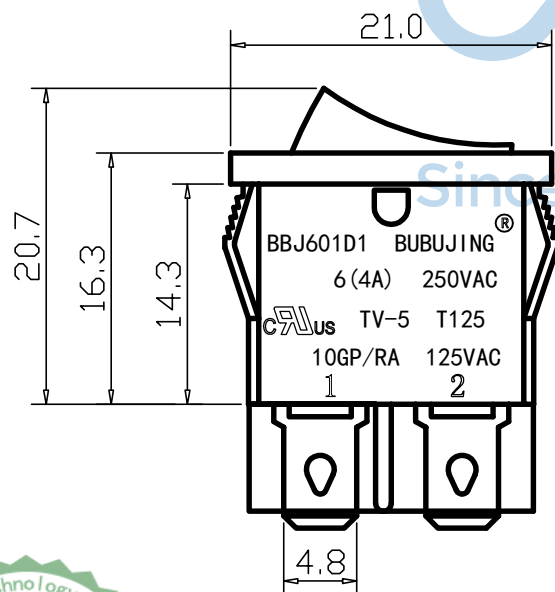
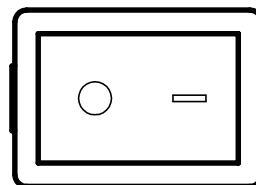
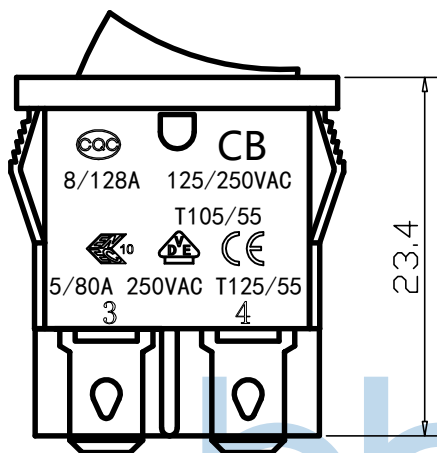


REV.	ECN NO	CONTENT	DATE	ENGINEER
A0		Initial release		LYX
A1	EN2308007	VDE换版后电流最高参数为80A 刻字排版有调整		LYX


主要技术参数及性能

项目	参数
电路图	4P ON-OFF 
额定电流电压	6(4)A 250VAC 10A 125VAC
绝缘电阻	≥100MΩ
接触电阻	≤50mΩ
介电强度 (极间)	≥1500VAC/min
(极对外壳)	≥3750VAC/min
电器寿命	10000次
环境温度	T125



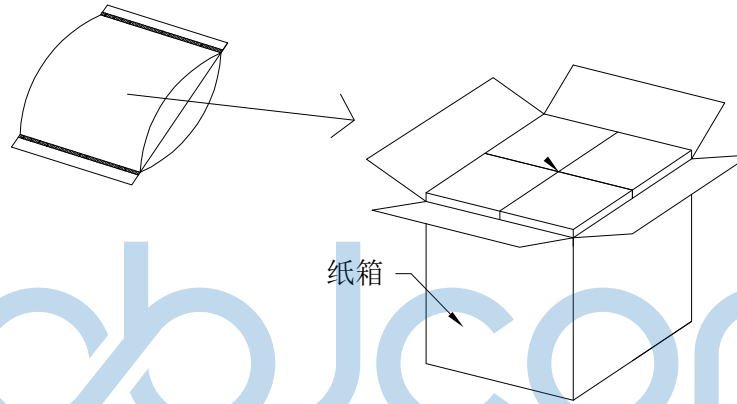
外观颜色	基座	黑色PA66
	按钮	黑色PA66
针脚	黄铜镀银	
跳板	黄铜镀银	
触点	复合银点	
备注		



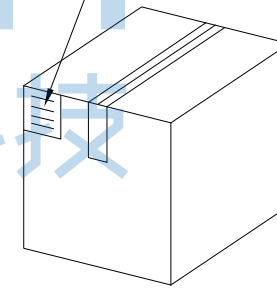
THIS DOCUMENT IS THE SOLE PROPERTY OF BBJconn Technology Co.,Ltd. Corporation AND SHOULD NOT BE USED IN WHOLE OR IN PART WITHOUT PRIOR WRITTEN PERMISSION. PDWG.NO: 0199-2		 深圳市步步精科技有限公司 .X: ±0.38 .XX: ±0.25 .XXX: ±0.13 X': ±3' .X': ±2' .XX': ±1'		NAME: 船型开关 BBJ601D1-2011BB 十字挡板 银点 黑色基座 APPD. JM_Zheng CHKD. TSP DR. LYX	
		PJ. NO.: RS.09.11-22-1002 SIZE: A4 DRW NO.: FINISH: SEE NOTES MAT'L.: SEE NOTES SCALE: N/A REV.: A0 UNIT: mm PAGE: 1/2			

REV.	ECN NO	CONTENT	DATE	ENGINEER
A0		Initial release		LYX

PE袋规格: 260*185




成品标签



1. 包装要求:

- 1.1 每个PE袋包装200pcs;
- 1.2 每1袋放一小纸盒;
- 1.3 每20个小纸盒放一个纸箱, 共计4000pcs;
- 1.4 纸箱外贴上标签

THIS DOCUMENT IS THE SOLE PROPERTY OF BBJconn Technology Co.,Ltd. Corporation AND SHOULD NOT BE USED IN WHOLE OR IN PART WITHOUT PRIOR WRITTEN PERMISSION.		 深圳市步步精科技有限公司	
.X: ±0.38 .XX: ±0.25 .XXX: ±0.13		X': ±3" .X': ±2" XX': ±1"	
APPD.	JM_Zheng	NAME: 船型开关 BBJ601D1-2011BB 十字挡板 银点 黑色基座	
CHKD.	TSP	PJ. NO.: RS.09.11-22-1002	
DR.	LYX	SIZE: A4 DRW NO.:	
PDWG.NO: 0199-2		FINISH: SEE NOTES MAT'L.: SEE NOTES	
		SCALE: N/A REV.: A3 UNIT: mm PAGE: 2/2	