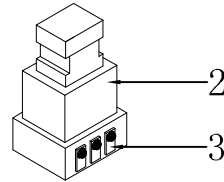
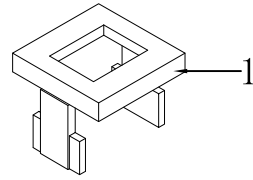
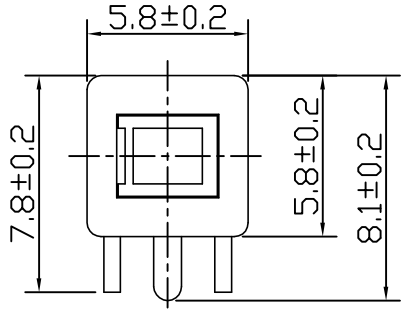




REV.	ECN NO.	CONTENT	DATE	ENGINEER
A0				

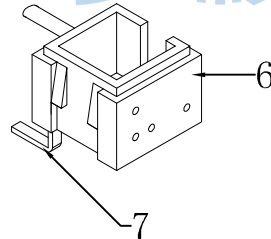
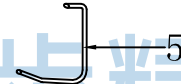
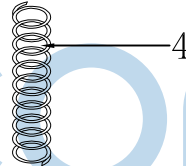
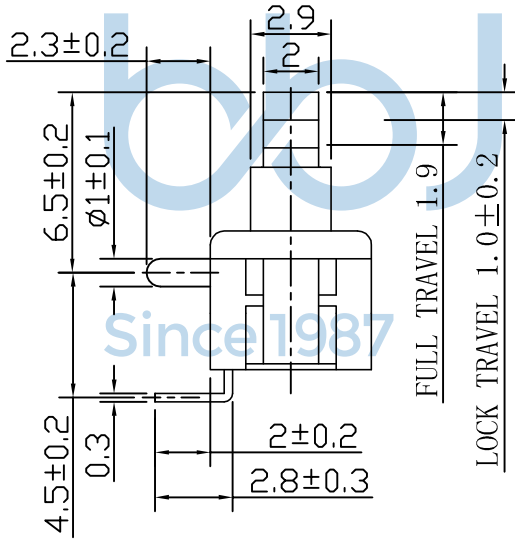
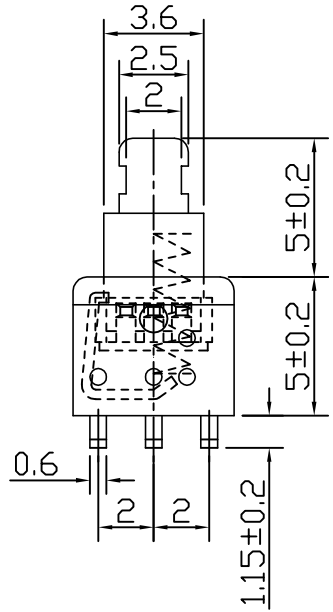


ELECTRICAL CHARACTERISTICS

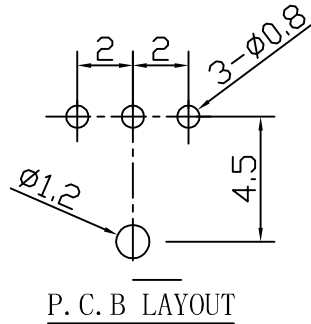
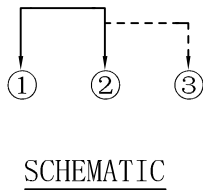
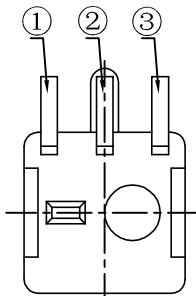
1. RATING: DC 30V 0.1A
2. CONTACT RESISTANCE: 100mΩ MAX
3. INSULATION RESISTANCE: 100MΩ MIN
4. DIELECTRIC STRENGTH: AC 250V(50~60Hz)/60S

MECHANICAL CHARACTERISTICS

1. PRACTICAL TEMPERATURE RANG: -40℃~+85℃
2. OPERATING FORCE: 180±50gf
3. MECHANICAL LIFE: 30,000 cycles



8				
7	TERMINAL	BRASS STRIP	3	Ag PLATED
6	CASE	PA66	1	GRAY
5	LOCK PIN	SUS WIRE	1	NATURAL
4	SPRING	SUS WIRE	1	NATURAL
3	CONTACT	PBS	1	Ag PLATED
2	KNOB	PBT	1	GRAY
1	COVER	PA66	1	BLACK
NO.	PART NAME	MATERIAL	QTY.	FINISHING



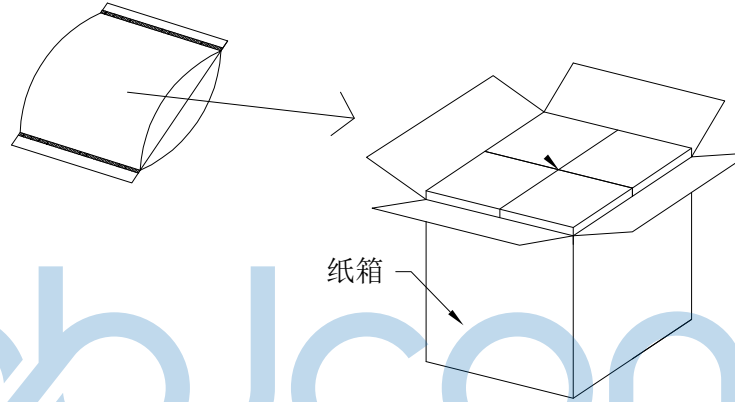
THIS DOCUMENT IS THE SOLE PROPERTY OF BBJconn Technology Co.,Ltd. Corporation AND SHOULD NOT BE USED IN WHOLE OR IN PART WITHOUT PRIOR WRITTEN PERMISSION.
PDWG.NO: 0005-1

深圳市步步精科技有限公司

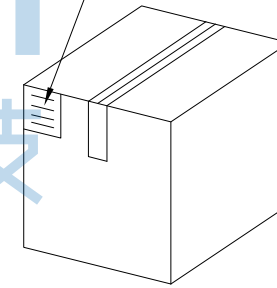
.X: ±0.38 .XX: ±0.25 .XXX: ±0.13	X': ±3" .X': ±2" .XX': ±1"	NAME: 按键开关 5.8x5.8x10 三脚侧插 带柱 自锁 (PB60L180A-3R)
APPD. JM_Zheng	PJ. NO.: PS.01.01-04-2004	SIZE: A4 DRW NO.:
CHKD. LYX	FINISH: SEE NOTES	MAT'L.: SEE NOTES
DR. TSP	SCALE: N/A	REV.: A0 UNIT: mm PAGE: 1/2

REV.	ECN NO	CONTENT	DATE	ENGINEER
A0				

PE袋规格: 260*185



成品标签



1. 包装要求:

- 1.1 每个PE袋包装2000pcs;
- 1.2 每1袋放一小纸盒;
- 1.3 每20个小纸盒放一个纸箱, 共计40000pcs;
- 1.4 纸箱外贴上标签



THIS DOCUMENT IS THE SOLE PROPERTY OF BBJconn Technology Co.,Ltd. Corporation AND SHOULD NOT BE USED IN WHOLE OR IN PART WITHOUT PRIOR WRITTEN PERMISSION.		深圳市步步精科技有限公司 .X: ±0.38 .X': ±3" .XX: ±0.25 .X'': ±2" .XXX: ±0.13 .XX': ±1"		NAME: 按键开关 5.8x5.8x10 三脚侧插 带柱 自锁 (PB60L180A-3R) PJ. NO.: PS.01.01-04-2004 SIZE: A4 DRW NO.: FINISH: SEE NOTES MAT'L.: SEE NOTES SCALE: N/A REV.: A0 UNIT: mm PAGE: 2/2	
APPD.	JM_Zheng	CHKD.	LYX	DR.	TSP
PDWG.NO: 0005-1					